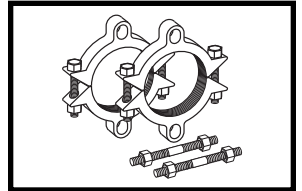


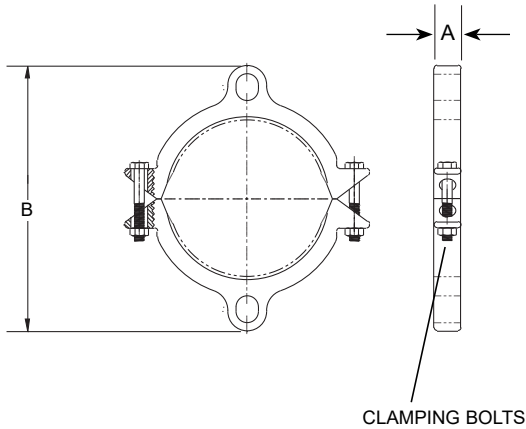
# SUBMITTAL INFORMATION



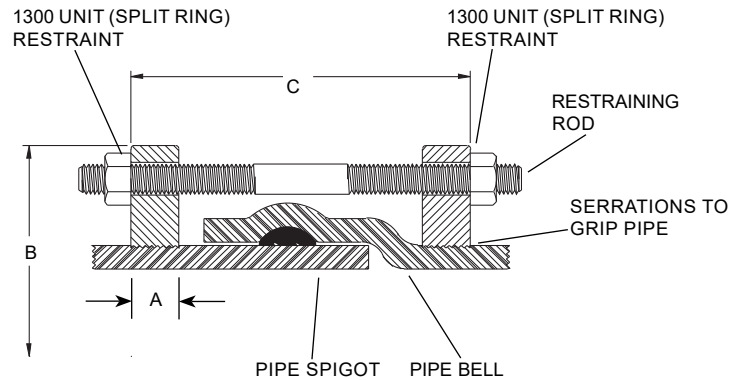
## Uni-Flange® Restraint - (UFR1390-C-x-RED-RB-I style)

**SERIES 1390-C RESTRAINT HARNESS (WITH BLUE FLUOROCARBON-COATED ACCESSORIES)  
FOR C900 PVC AND DUCTILE IRON PIPE BELL JOINTS**

**1300 SPLIT RESTRAINT**



**1390 ASSEMBLY**



NOM PIPE SIZE	PVC PIPE WITH DI PIPE OD STYLE 1390-C		A	B APPROX	C MAX	RESTRAINT RODS		CLAMPING BOLTS PER GLAND		MAX. BELL CLEARANCE	APPROX. WEIGHT (LBS.)	✓ SUBMITTED ITEMS
	OD (IN.)	CATALOG No.				No.	SIZE	No.	SIZE			
4"	4.80	UFR1390-C-4-RED-RB-I	1-1/8"	9-1/8"	15"	2	3/4" x 17"	2	5/8" x 3-1/2"	7.13"	17.0	
6"	6.90	UFR1390-C-6-RED-RB-I	1-1/8"	11-1/8"	15"	2	3/4" x 17"	2	5/8" x 3-1/2"	9.13"	18.5	
8"	9.05	UFR1390-C-8-RED-RB-I	1-1/4"	14-5/8"	15"	2	3/4" x 17"	2	3/4" x 4"	11.38"	29.0	
10"	11.10	UFR1390-C-10-RED-RB-I	1-3/8"	16-5/8"	22"	4	3/4" x 24"	2	7/8" x 5"	13.50"	53.0	
12"	13.20	UFR1390-C-12-RED-RB-I	1-3/8"	19-1/4"	22"	4	3/4" x 24"	2	7/8" x 5"	16.13"	56.5	

### FEATURES

- Cast ductile iron per ASTM A536 grade 65-45-12
- Restraining rods are high strength, low alloy steel per ANSI / AWWA C111 / A21.11, with blue fluorocarbon-coating
- Clamping bolts and nuts are Grade 5 with blue fluorocarbon-coating
- Rated at full-rated pressure of any class of PVC pipe, minimum 2:1 safety factor.
- Rated at 250 psi on ductile iron pipe in sizes 4" - 8" and 200 psi in size 10" and 12"
- 360° contact and support of the pipe wall
- Black Armorguard e-coat epoxy coating - NSF 61 approved, with red top coat for identification

The Ford Meter Box Company considers the information in this submittal form to be correct at the time of publication. Item and option availability, including specifications, are subject to change without notice. Please verify that your product information is current. Our standard warranty applies.



**The Ford Meter Box Company, Inc.**

P.O. Box 443, Wabash, Indiana U.S.A. 46992-0443

Phone: 260-563-3171 / Fax: 800-826-3487

Overseas Fax: 260-563-0167

www.fordmeterbox.com



09/02/21

Submitted By: