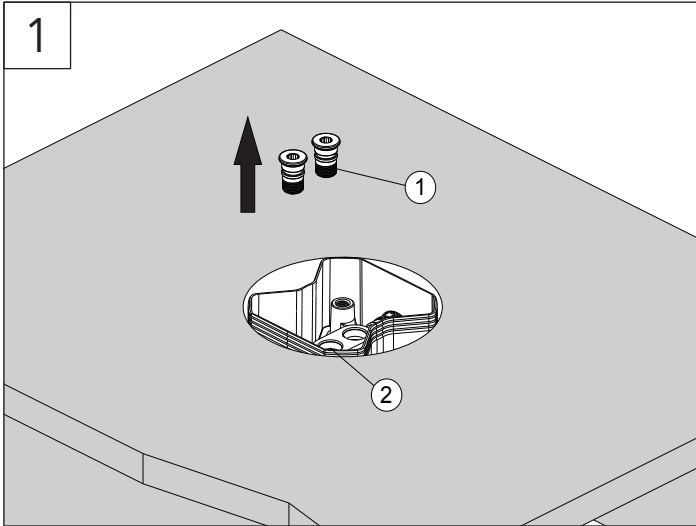
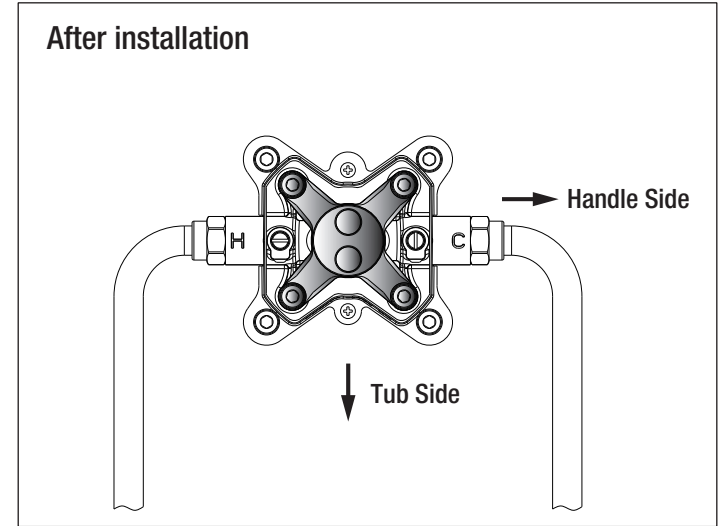
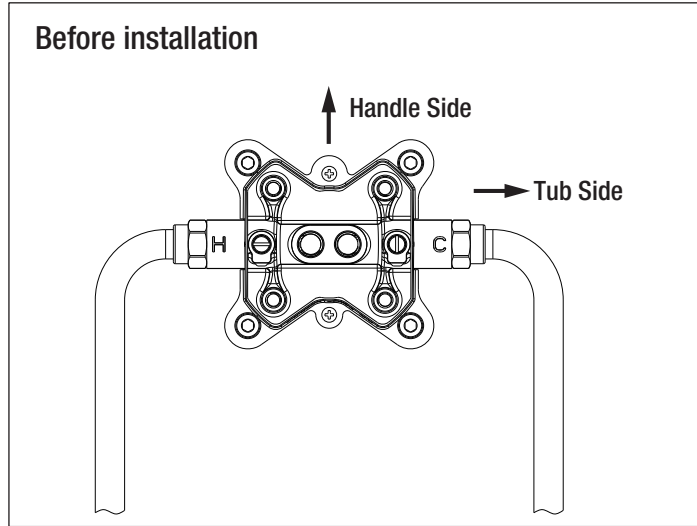


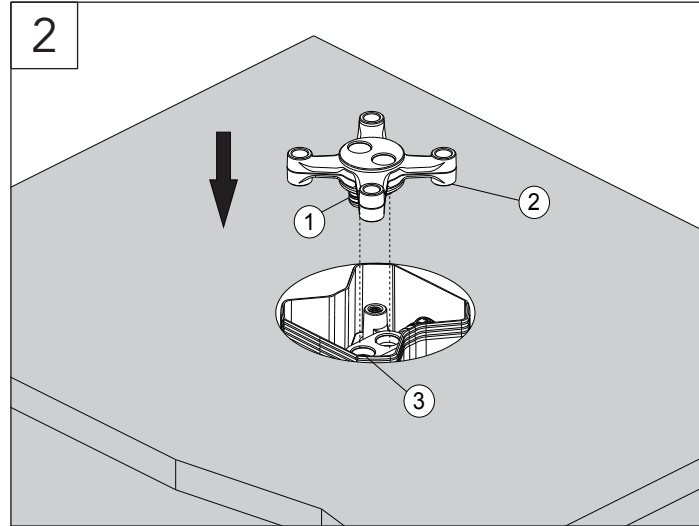
FREESTANDING TUB FILLER ROUGH IN VALVE ADAPTOR

Model **OBPF3BM67679R1ZJ**

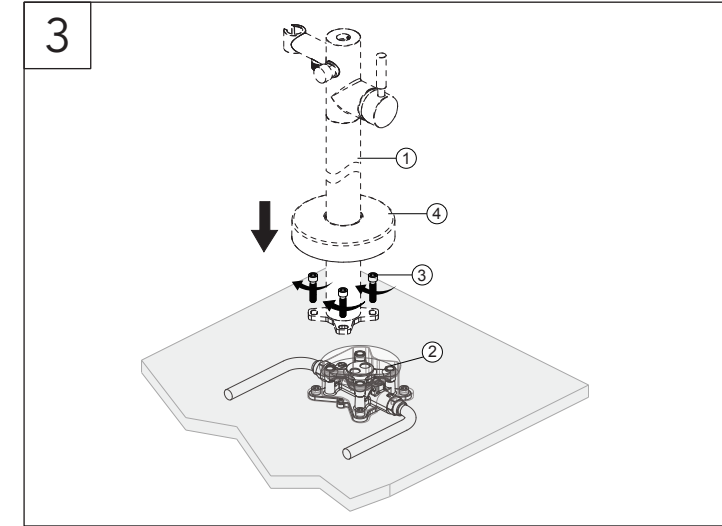
Note: The adaptor is used to adjust the direction of the faucet.



Loosen the plug (1) with the hex wrench (HEX:6mm) from the rough body (2).



During installation, ensure that the o-ring (1) is clean. Insert the adaptor (2) into the rough body (3) and press it tightly.



Secure the faucet assembly (1) to the rough body (2) using extended screws (3) provided. Place the flange (4) over the standpipe and then push it to the base.