

For Residential and Light Commercial Applications

Job Name _____

Contractor _____

Job Location _____

Approval _____

Engineer _____

Contractor's P.O. No. _____

Approval _____

Representative _____

Plastic Filter Housings

Top Quality and Economical Plastic Filter Housings

Single Cartridge Filter Housings

Sizes: 1/4" – 1 1/2"

Our poly filter housings are manufactured from the highest quality 100% polypropylene (polystyrene for clear housings). Leak-proof sealing is accomplished by compression against a top seated EPDM O-ring located in the housing's sump. Thick wall and added ribs make the housings ideal for a wide range of applications. Polypropylene construction provides excellent chemical resistance in most installations environments. Housings supplied with pressure relief valves. See specifications table for pressure and temperature ratings.

Full product line

We offer a complete line of filter housings for virtually every application where single cartridge housings are typically used. Select from standard, heavy-duty, full-flow, high-temp and valve-in-head models.

Features

- Full product line for more types, models, pipe fittings and options
- Heavy-duty construction, made using high-quality grade polypropylene and acrylonitrile styrene (for clear housings).
- Superior chemical resistance from many aggressive chemicals
- Buttress thread design for superior security
- Thick side walls with heavy-duty ribs to provide greater strength
- Temperature rated to 100° F/37.8 ° C
- Cap, sump and top-seated O-rings compress to provide leak proof sealing

See specifications table for more details.

NOTICE

The information contained herein is not intended to replace the full product installation and safety information available or the experience of a trained product installer. You are required to thoroughly read all installation instructions and product safety information before beginning the installation of this product.

WATTS®
pure water



**Buttress thread design —
Provides greater security**



**Heavy-duty construction —
Housings are made entirely
of the highest quality grade
polypropylene and acrylonitrile
styrene (for clear housings).**

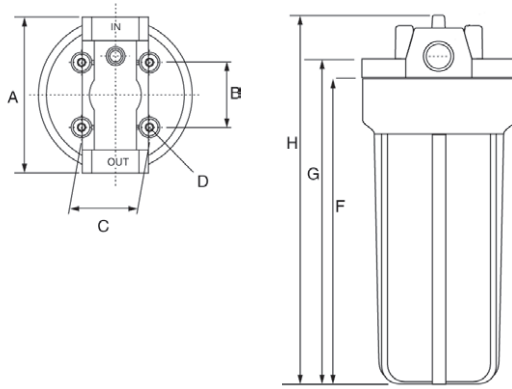
⚠ WARNING

Do not use with water that is microbiologically unsafe or of unknown quality without adequate disinfection before or after the system.

Watts product specifications in U.S. customary units and metric are approximate and are provided for reference only. For precise measurements, please contact Watts Technical Service. Watts reserves the right to change or modify product design, construction, specifications, or materials without prior notice and without incurring any obligation to make such changes and modifications on Watts products previously or subsequently sold.

WATTS®

Dimensions



HOUSING TYPE	SIZE		DIMENSIONS													
	in.	A in. mm	B in. mm	C in. mm	D in. mm	F in. mm	G in. mm	H in. mm								
Standard (white)	5	4.28 108	1.57 40	1.18 30	0.16 4	5.7 145	7 178	7.5 191								
Standard (blue)	10	4.72 120	1.57 40	1.18 30	0.16 4	10.5 267	11.0 279	11.8 300								
Standard (clear)	10	4.72 120	1.57 40	1.18 30	0.16 4	10.5 267	11.0 279	11.8 300								
Standard	20	4.72 120	1.57 40	1.18 30	0.16 4	20.47 520	21.26 540	22.8 579								
High Temp	10	5.35 136	2.22 56	2.28 58	0.23 6	10.43 265	11.49 292	12.5 318								
High Temp	20	5.35 136	2.22 56	2.28 58	0.23 6	20.47 520	21.26 540	22.8 579								
Commercial	10	5.35 136	2.22 56	2.28 58	0.23 6	10.43 265	11.49 292	12.5 318								
Commercial	20	5.35 136	2.22 56	2.28 58	0.23 6	20.47 520	21.26 540	22.8 579								
Full Flow (FF)	10	7.28 186	3.03 77	3.03 77	0.275 7	11.33 288	11.57 294	14.0 356								
Full Flow (FF)	20	7.28 186	3.03 77	3.03 77	0.275 7	21.25 540	21.65 550	24.0 25								



Full Flow (FF) Series
(10" and 20")



High Temp
(10" and 20")



Blue/Black
(10" and 20")



Clear
(10")

Specifications

Material, sumps & caps	High grade polypropylene. (polystyrene for clear housings).
Material, o-rings	EPDM is standard
Maximum temperature (standard)	100°F (37.8°C)
Maximum temperature (high temp)	200°F (93°C)
Maximum temperature (full flow) and (valve in head)	100°F (37.8°C)
Minimum temperature	40°F (4°C)
Maximum pressure (standard blue)	100psi (6.9 bar)
Maximum pressure (standard clear)	125 psi (8.6 bar)
Maximum pressure (full flow)	100psi (6.9 bar)
Maximum pressure (valve in head)	100psi (6.9 bar)
Burst test	Tested to 500psi. (150,000 cycles from 0 to 125psi)

Individually Boxed Plastic Housings in Master Cartons

MODEL NO.	ORDERING CODE	SIZE	PIPE	TYPE	SUMP	CAP	CASE QTY.
PWHIB34WVIH*	7100550	10"	3/4"	Valve-In-Head	White	White	4
PWHIB10FF*	7100268	10"	1"	Full Flow (FF)	Blue	Black	4
PWHIB20FF*	7100269	20"	1"	Full Flow (FF)	Blue	Black	4

*Complete housing kit with housing, mounting bracket & screws, housing wrench



PWHIB10FF

Individually Boxed Plastic Housing with Filter Cartridge in Master Cartons

MODEL NO.	ORDERING CODE	SIZE	PIPE	TYPE	SUMP	CAP	CASE QTY.
PWHIB10FFC**	7100679	10"	1"	Full Flow (FF)	Blue	Black	4

** Complete housing kit with housing, mounting bracket & screws, housing wrench and 5 micron pleated cartridge
For additional information on pleated filter cartridges options, access online literature ES-WQ-PWPL



PWHIB10FFC

Poly Filter Housing

MODEL NO.	ORDERING CODE	SIZE	PIPE	SUMP	CAP	# CASE
-----------	---------------	------	------	------	-----	--------

5" Residential Housing

PWHP512W	7100589	5"	1/2"	White	White	12
----------	---------	----	------	-------	-------	----

10" Residential Housings

PWHP1034CPR	7100554	10"	3/4"	Clear	White PR	4
PWHP1014BPR	7100277	10"	1/4"	Blue	Black PR	4
PWHP1012BPR	7100279	10"	1/2"	Blue	Black PR	4
PWHP1034BPR	7100281	10"	3/4"	Blue	Black PR	4

20" Residential Housings

PWHP2012BPR	7100283	20"	1/2"	Blue	Black PR	6
-------------	---------	-----	------	------	----------	---

10" Commercial Housings

PWHP10COM34BPR	7100669	10"	3/4"	Blue	6	6
----------------	---------	-----	------	------	---	---

20" Commercial Housings

PWHP20COM34BPR	7100670	20"	3/4"	Blue	6	6
----------------	---------	-----	------	------	---	---

10" Full Flow Housings

PWHP10FF34BPR	7100286	10"	3/4"	Blue	Black PR	4
PWHP10FF1BPR	7100288	10"	1"	Blue	Black PR	4
PWHP10FF15BPR	7100290	10"	1 1/2"	Blue	Black PR	4

20" Full Flow Housings

PWHP20FF34BPR	7100291	20"	3/4"	Blue	Black PR	4
PWHP20FF1BPR	7100293	20"	1"	Blue	Black PR	4
PWHP20FF15BPR	7100295	20"	1 1/2"	Blue	Black PR	4

High Temp Housings (200°F / 93°C)

PWHPHT1034	7100296	10"	3/4"	Red	Red	4
PWHPHT2034	7100297	20"	3/4"	Red	Red	4

MODEL NO.	ORDERING CODE	SIZE/TYPE	# CASE
Mounting Brackets - includes housing mounting screws			
PWMBVIH	7300605	Brkt, VIH Housing	1
PWMBSTD1	7100463	Single, 10" & 20" Residential Housings	1
PWMBSTD2	7100464	Double, 10" & 20" Residential Housings	1
PWMBSTD3	7100465	Triple, 10" & 20" Residential Housings	1
PWMBCOM1	7300808	Single 10" & 20" Commercial Hsg	1
PWMBFF1	7100466	Single, 10" & 20" Full Flow Housing	1
PWMBFF2	7100467	Double, 10" & 20" Full Flow Housing	1
PWMBFF3	7100468	Triple, 10" & 20" Full Flow Housing	1

Wrenches

PWWRSTDHSG	7100298	Wrench for Residential Housings	1
PWWRFFHSG	7100299	Wrench for Full Flow Housing	1
PWWRHSHSG	7300618	Hi Temp Housing Wrench	1
PWWRCOM	7300806	Wrench for Commercial Housing	1
PWWRDUAL	7100300	Dual Wrench for Membrane and Residential Filter Housings	1
PWWRVIHSG	7300875	Wrench for Valve-In-Head (VIH) Housing	1

Mounting Screws

PWMSSTDHSG	7300393	Mounting Screws for Standard Housings	1
PWMSFFHSG	7300395	Mounting Screws for Full Flow Housings	1
PWMSCOMHSG	7300809	Mounting Screws for Commercial Housings	1

O-Rings

PWORSTDHSG	7300397	O-Ring for standard blue housings	1
PWORCSTDHSG	7300915	O-Ring for standard clear housing	1
PWORFFHSG	7300398	O-Ring for Full Flow housings	1
PWORHSHSG	7300399	O-Ring for high temp housings	1
PWORCOMHSG	7300807	O-Ring for Commercial Housings	1
PWORVIHSG	7300876	O-Ring for Valve-In-Head (VIH) Housing	1

