

BRIZO®

PRESSURE BALANCE VALVE TRIM

- Invari™ Bath Collection
- Valve Only (T60P076)

STANDARD SPECIFICATIONS:

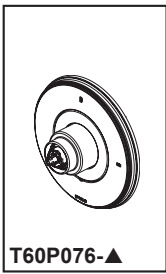
- Maintains a balanced pressure of hot and cold water even when a valve is turned on or off elsewhere in the system
- For use with MultiChoice® Universal rough valve body (R60000 Series)
- Max system flow rate 6.3 gpm at 60 psi with R60000-UNBXHF
- Back-to-back installation capability
- Solid brass fabricated body
- Temperature only controlled with handle
- Red/Blue temperature indicator markings
- Field adjustable to limit handle rotation into hot water zone
- 120° maximum handle rotation
- All parts replaceable from the front of the valve
- Adjusts for up to 1" wall thickness. Optional extension kit (RP81665) extends rough installation up to 1 3/4"

WARRANTY

- Lifetime limited warranty on parts (other than electronic parts and batteries) and finishes: or, for commercial users, for 5 years from date of purchase.
- 5 year limited warranty on electronic parts (other than batteries); or, for commercial users, for 1 year from the date of purchase. No warranty is provided on batteries.

COMPLIES WITH:

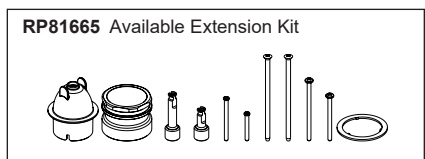
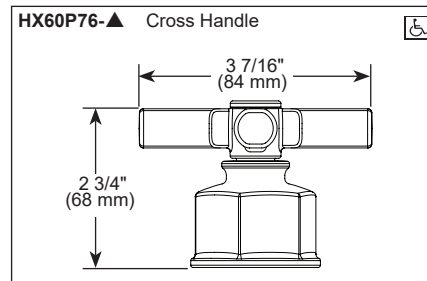
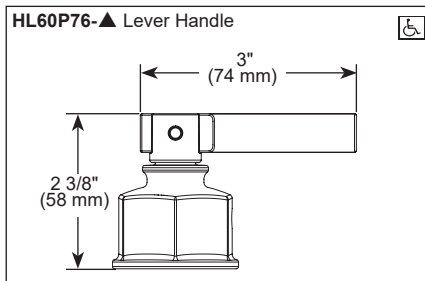
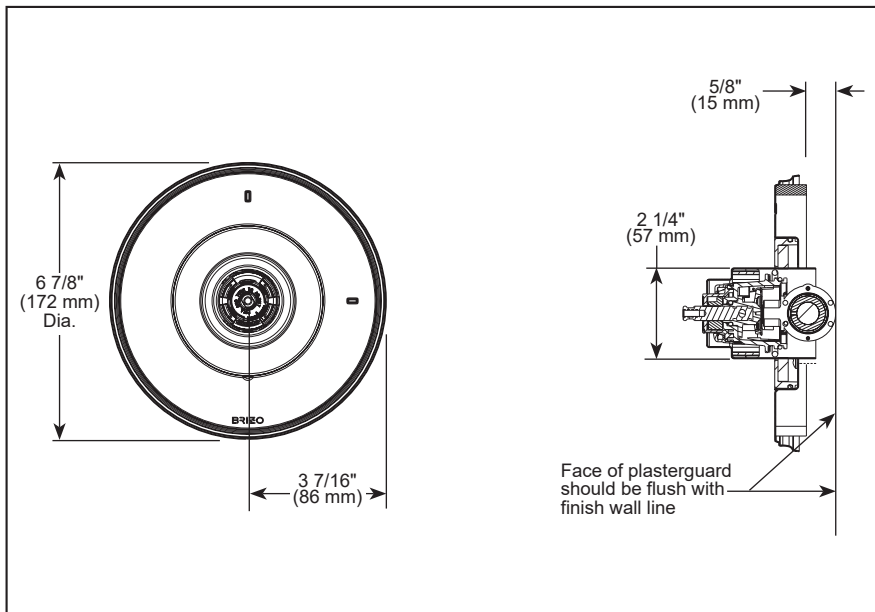
- ASME A112.18.1/ CSA B125.1
- ASSE 1016
- ☑ Indicates compliance to ICC/ANSI A117.1



T60P076-▲

Submitted Model No.: _____

Specific Features: _____



▲ Designate proper finish suffix