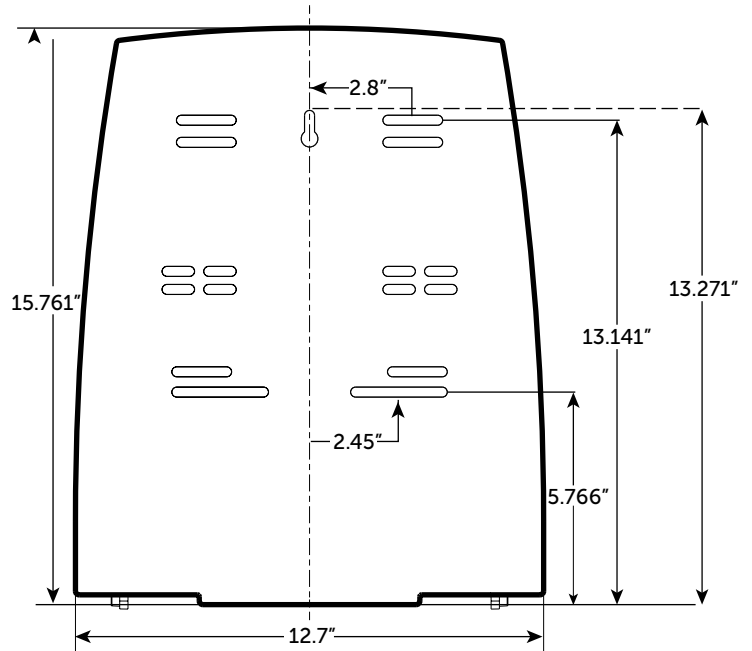
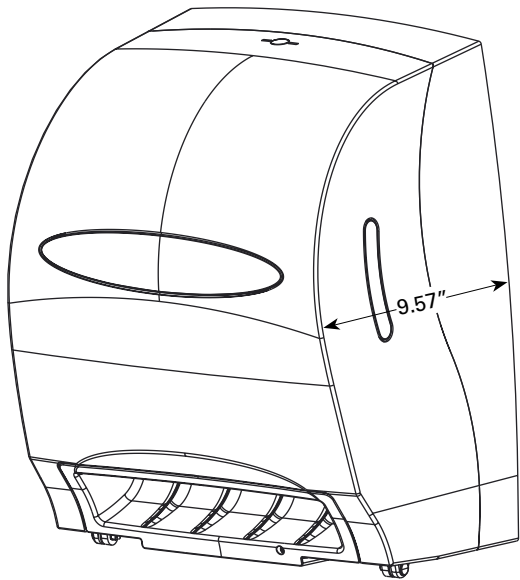


Kimberly-Clark Professional™ Electronic Hard Roll Towel Dispenser



- Made of ABS plastic
- Choice of white with clear window or black with translucent window
- Dispenses one 8" diameter, 950' roll towel
- Dispenser advances and cuts a nominal 11" of towel when activated by placing hand under unit
- Includes second sheet dispensed at 10% reduced length when activated within a few seconds of the first dispense

- Quiet dispensing system
- Quick-load capability
- Choice of key-activated spring lock or push-button operation
- 4 D-Cell Batteries included
- One per case

48856
White,
1.75" Core

48857
Black,
1.75" Core

Suggested mounting height is 48" from the floor or 12" above a counter to the bottom of the dispenser.

When installed properly and used with the corresponding product, this dispenser meets ADA Standard 28 CFR Part 36, local rules may vary.