

77WCLF Series

Copper Press End Bronze Ball Valve

LEAD FREE

New!



Job Name:	
Job Location:	
Engineer:	
Contractor:	
Tag:	
PO#:	
Rep:	
Wholesale Dist:	

DESCRIPTION

The lead free* 77WCLF Ball Valve featuring APOLLOPRESS® technology is ideal for installation in most plumbing and heating systems including potable water. Includes Leak Before Press® feature and 300 psig maximum working pressure. The 77WCLF features copper retainers for maximum durability and protection against corrosion and dezincification.

FEATURES

- Lead Free*/Corrosion Resistant Materials
- Full-Port Flow
- Adjustable Stem Packing
- Fast, Reliable, Economical Press Installation
- Leak Before Press® Technology
- 100% Factory Tested

APPROVED APPLICATIONS

- Potable Water (NSF/ANSI 61 & 372)
- Hydronic Heating (w/ Glycol)
- Chilled Water
- Compressed Air
- Non-Medical Gases
- Low Pressure Steam (15 psi Max)
- Vacuum (29.2 in. Hg Maximum @ 68°F)

STANDARD MATERIALS LIST

BODY	C89836, Lead Free Bronze
BALL	C27451, DZR Brass, Chrome
SEAT	Teflon, RPTFE
RETAINER	C12200, Copper (99.9%)
O-RING	EPDM
STEM	C27451, DZR Brass
STEM PACKING	Teflon, RPTFE
PACKING GLAND	Brass ASTM B16
HANDLE	Plated Steel/Insulating Polyvinyl
STEM NUT	Alloy Steel, Plated

PERFORMANCE RATING+

- For Types K, L, and M ASTM B88 Compliant:
 - Hard Copper Tubing (Sizes 1/2" - 2")
 - Soft Copper Tubing (Sizes 1/2" - 1-1/4")
- Sealing Element: EPDM
- Maximum Operating Pressure: 300 psi
- Temperature Range: 0°F - 250°F

*Press connectors are not suitable for flammable gas service.

OPTIONS

- (-04) 2-1/4" Stem Extension 1/2" - 2"
- (-07) Tee-Handle 1/2" - 2"
- (-10) Stainless Steel Handle & Nut 1/2" - 2"
- (-11) Therma-Seal™ Insulating Tee Handle 1/2" - 2"
- **(-27) Locking Handle 1/2" - 2" **NEW!****
- (-92) Standard Lever w/ Balancing Stop 1/2" - 2"
- (-94) 2-1/4" Stem Ext. & Balancing Stop 1/2" - 2"
- (-HC) Press x 3/4" Hose w/ Cap & Chain 1/2" & 3/4"
- (77WCLF-140 Series) Type 316SS Ball & Stem 1/2" - 2"

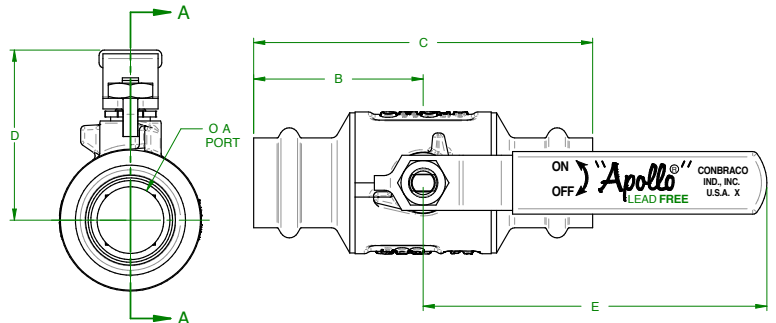
*77WCLF lever kits and options are not interchangeable with the previous 77WLF model. Compatible kits include those used with 77WLF-A, 77C-A, and 77CLF-A Series.

APPROVALS

- MSS SP-110 Ball Valves
- NSF/ANSI/CAN 61 - Water Quality
- NSF/ANSI 372 - Lead Free
- IAPMO/ANSI Z1157

DIMENSIONS

PART NUMBER	SIZE (IN.)	DIMENSIONS (IN.)					WT. (LB.)
		A	B	C	D	E	
77WCLF-103-01	1/2"	0.50	1.54	3.08	1.71	3.86	0.66
77WCLF-104-01	3/4"	0.75	1.90	3.80	1.91	3.86	1.15
77WCLF-105-01	1"	1	2.25	4.50	2.13	4.76	2.12
77WCLF-106-01	1-1/4"	1.25	2.59	5.17	2.46	4.76	3.13
77WCLF-107-01	1-1/2"	1.50	2.84	5.67	2.90	5.41	4.79
77WCLF-108-01	2"	2	3.40	6.80	3.68	7.76	8.22



*LEAD FREE: The wetted surfaces of this product shall contain no more than 0.25% lead by weighted average. Complies with Federal Public Law 111-380. ANSI 3rd party approved and listed.