



MIXING VALVE PIPING KIT FOR DHW WITH COMBI BOILERS

Job Name: _____

Part Number: **100316605**

Location: _____

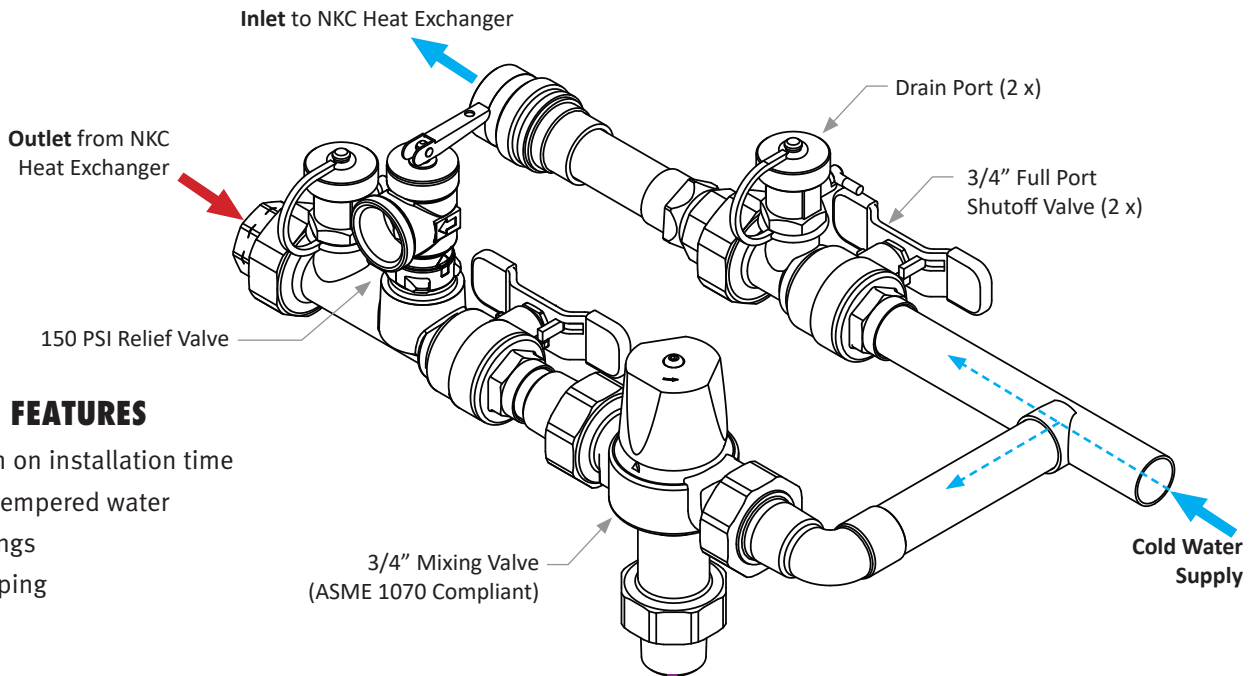
NOTES:

Engineer: _____

Agent/Wholesaler: _____

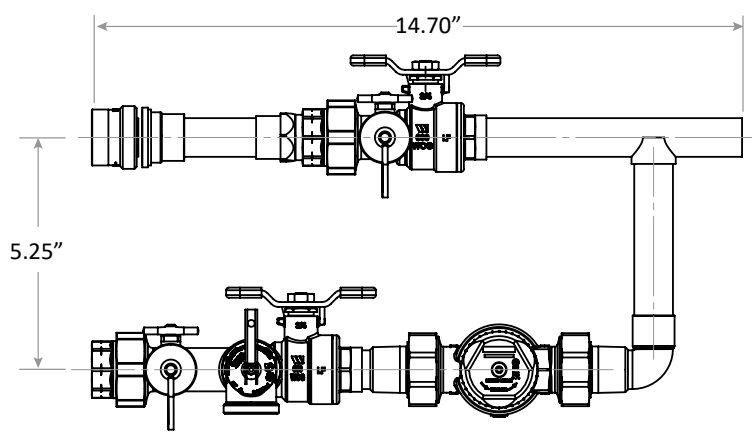
Contractor: _____

Equipment Tag(s): _____

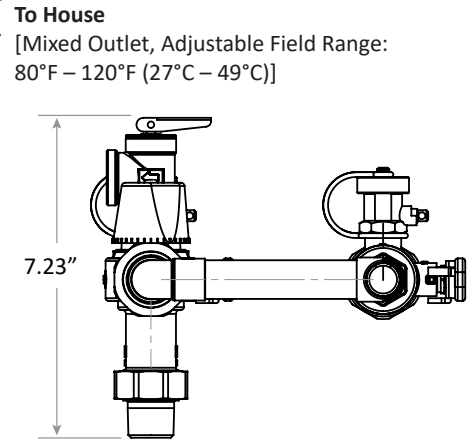


STANDARD FEATURES

- Cuts down on installation time
- Provides tempered water
- Brass fittings
- Copper piping



TOP VIEW



END VIEW

