

# The Pendant 54™





## FEATURES

- Slip-resistant bottom
- Continuous tile flange
- Porcelain-enameled steel
- Durabrace® diagonal brace
- Foam bottom support pad
- Rounded, watertight corners
- 3-year warranty

## AVAILABLE COLORS



WHITE (130)

BONE (733)

## SPECIFICATIONS

- Model 2254: Bathtub with right-hand outlet, 71 lb
- Model 2255: Bathtub with left-hand outlet, 71 lb

## SUGGESTED FITTINGS \*

Sayco-Seal™ Bathtub/Shower Faucets

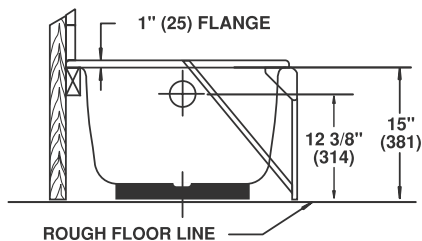
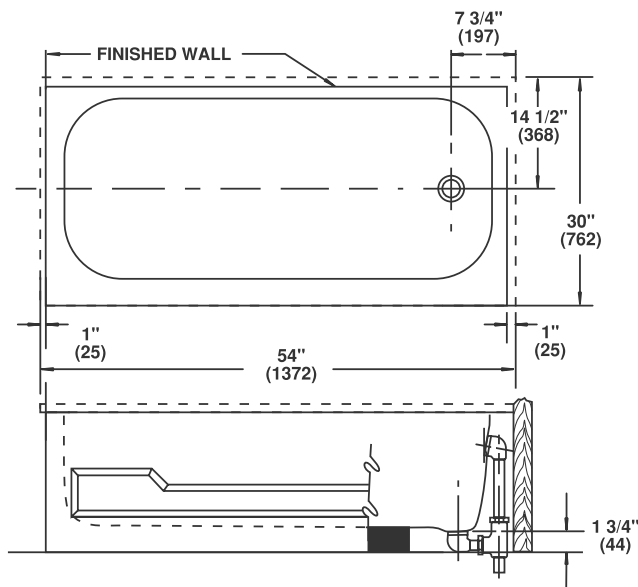
8" centers

208DL

308

308L

\* Fittings and drains not included. Refer to the Sayco® Catalog for more information.



## INSTALLATION

- Installation instructions supplied
- Plumber note: Provide stringer or other wall support to brace the deck where it meets the wall

Dimensions may vary (+) or (-) 1/8". Dimensions shown in parentheses are in millimeters: 25.4 mm = 1 inch. Note: Fixture dimensions are nominal and conform with dimension and performance requirements of ASME/ANSI Standards A112.19.4M. Dimensions subject to change or cancellation without notice. Briggs is not responsible for the use of superseded or voided specification information.