

825.090.075 S BEND, LARGE RADIUS 87.5°

-Diameter: Ø75mm
-Stainless steel: AISI316L/EN1.4404

Product Codes

UPC/EAN: 5705499408850

VVS Number:

RSK Number:

NRF Number: 2172552

LVI Number: 0256016

Specification

Angle (°): 87,5

Brand Name: BLÜCHER

Material: AISI 316L

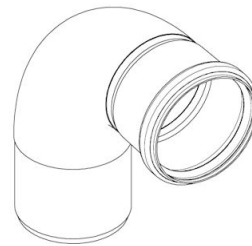
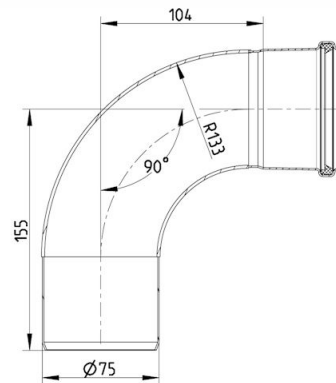
Material (EN): EN 1.4404

Outlet Diameter (mm): 75

Series: Bend-87.5-large radius

Type: Bends

Weight (kg): 1,00



BLÜCHER®

A WATTS Brand