



# model SP157A

Scald Protect Bleed Valve

## FEATURES & BENEFITS

---

## OPTIONS

---

For more information, visit [www.hawsc.com](http://www.hawsc.com) or call (888) 640-4297.



## SPECIFICATIONS

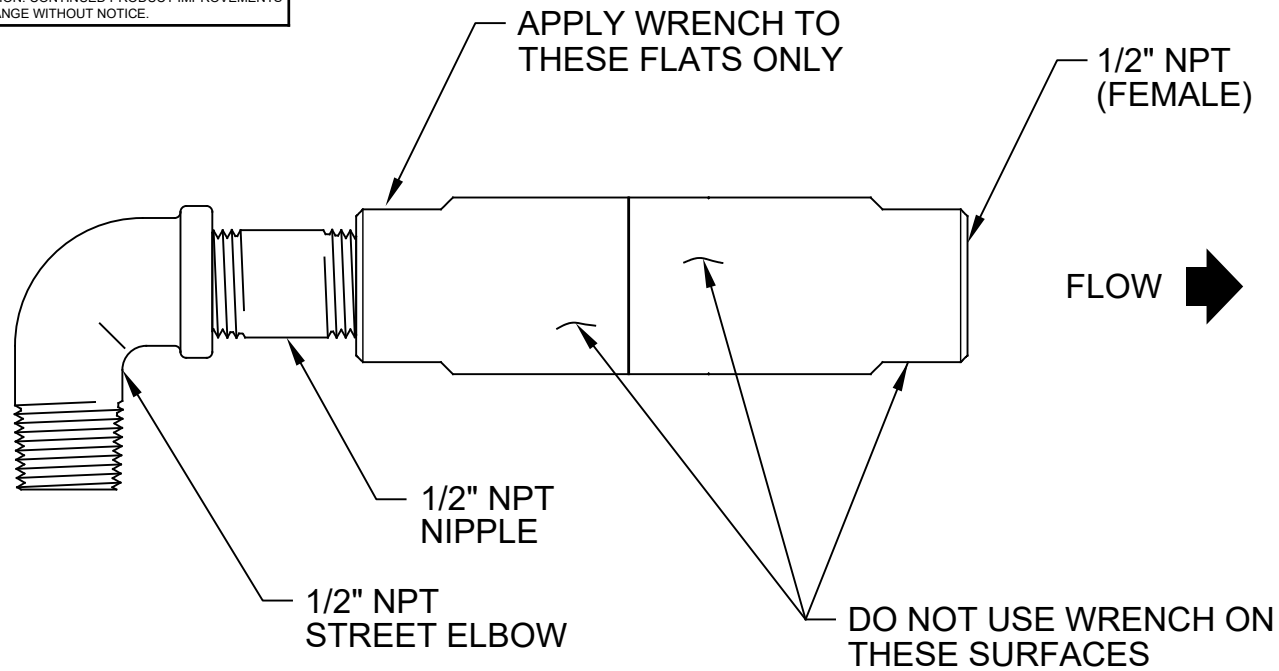
---

Model SP157A scald protection bleed valve opens at 98° F (36.7° C) and closes at 95° F (35° C). 1/2" NPT inlet and outlet.

## APPLICATIONS

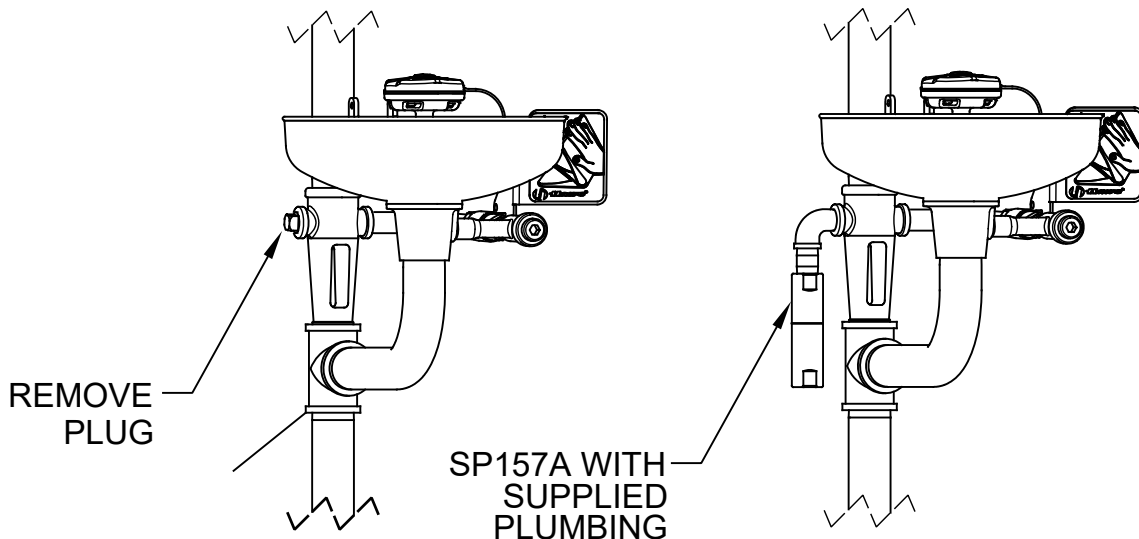
---

Specifically, SP157A is suitable for several emergency applications where scalding water temperature protection is needed or required. Can be used in conjunction with most Haws shower and/or eyewash units.

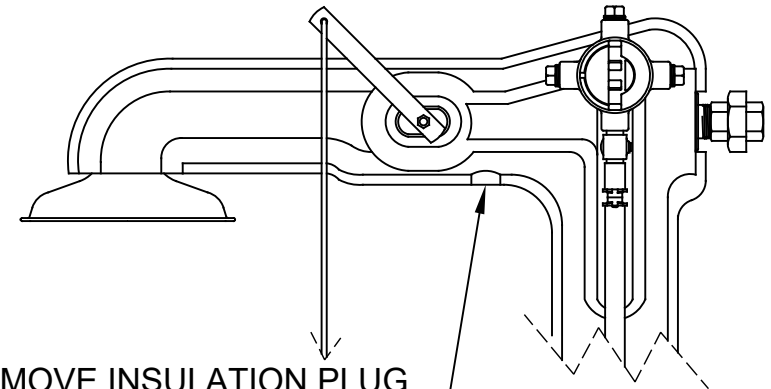


**TYPICAL SHOWER EYEWASH LOOP INSTALLATION**

NOTE: MODEL 8330 REQUIRES A 1-1/4" X 1/2" BUSHING (NOT SUPPLIED)



**8317CTFP SCALD VALVE LOCATION**



REMOVE INSULATION PLUG AND PLUMBING PLUG, AND INSTALL VALVE ONLY



1455 KLEPPE LANE  
SPARKS, NEVADA 89431  
(775) 359-4712 FAX (775) 359-7424  
E-MAIL: HAWS@HAWSCO.COM  
WEBSITE: WWW.HAWSCO.COM

ECN NO. REVISED PER BY:	ECN: 5478	JL	MODEL(S)		PART NUMBER
DRAWN: HM	DATE: 10/17/13	CHKD: DP	SP157A		0002080329.D
APPROVED: IR	DATE: 09/12/19		SCALD PROTECTION BLEED VALVE		REVISION
			SCALE: 1:1	DRAWING TYPE: INSTALLATION	5
				SIZE: A	SHEET 1 OF 1