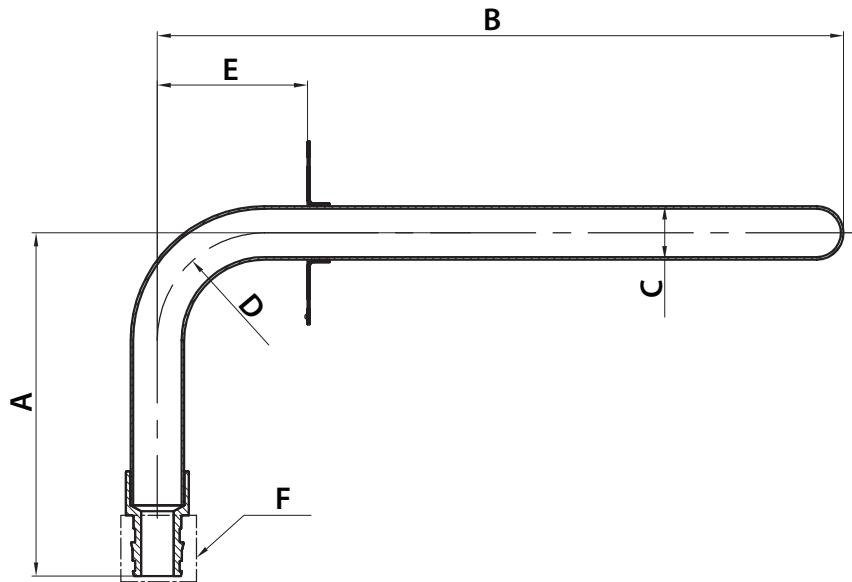


## COPPER STUB OUT ELBOWS WITH MOUNTING FLANGE PEX CONNECTION (COLD EXPANSION STYLE)



- Connects to ASTM F1960 (Cold Expansion Style) PEX
- Closed end for pressure testing
- Flange for nailing to a stud
- cUPC approved for use in USA and Canada
- ANSI/NSF 61 & ANSI/NSF 372 approved for drinking water
- Meets IAPMO IGC 319, CSA B137.5, NSF/ANSI 14
- ASTM B88 type L copper tube
- Complies with Section 1417(d) of the Safe Drinking Water Act, the lead content requirements of Section 116875 of the California Health & Safety Code, and NSF/ANSI 372-2016



Part No.	A	B	C	D	E	F
S71005	4.00"	8.00"	0.50" NOM CTS	1.25"	1.75"	0.50" F1960 PEX
S71006	6.00"	8.00"	0.75" NOM CTS	1.75"	1.75"	0.75" F1960 PEX
S71007	6.00"	12.00"	1.00" NOM CTS	2.00"	2.00"	1.00" F1960 PEX