



# SERVICE PARTS LIST

**BULLETIN NO.**  
**54-00-0301**

SPECIFY CATALOG NO. AND SERIAL NO. WHEN ORDERING PARTS		REVISED BULLETIN	DATE
<b>MX FUEL™ Hand Held Core Drill</b>			Aug. 2020
<b>CATALOG NO.</b>	<b>MXF301</b>	<b>SERIAL NUMBER</b>	<b>K28A</b>
WIRING INSTRUCTION			

**EXAMPLE:**  

00	0
----	---

 Component Parts (Small #) Are Included  
 When Ordering The Assembly (Large #).

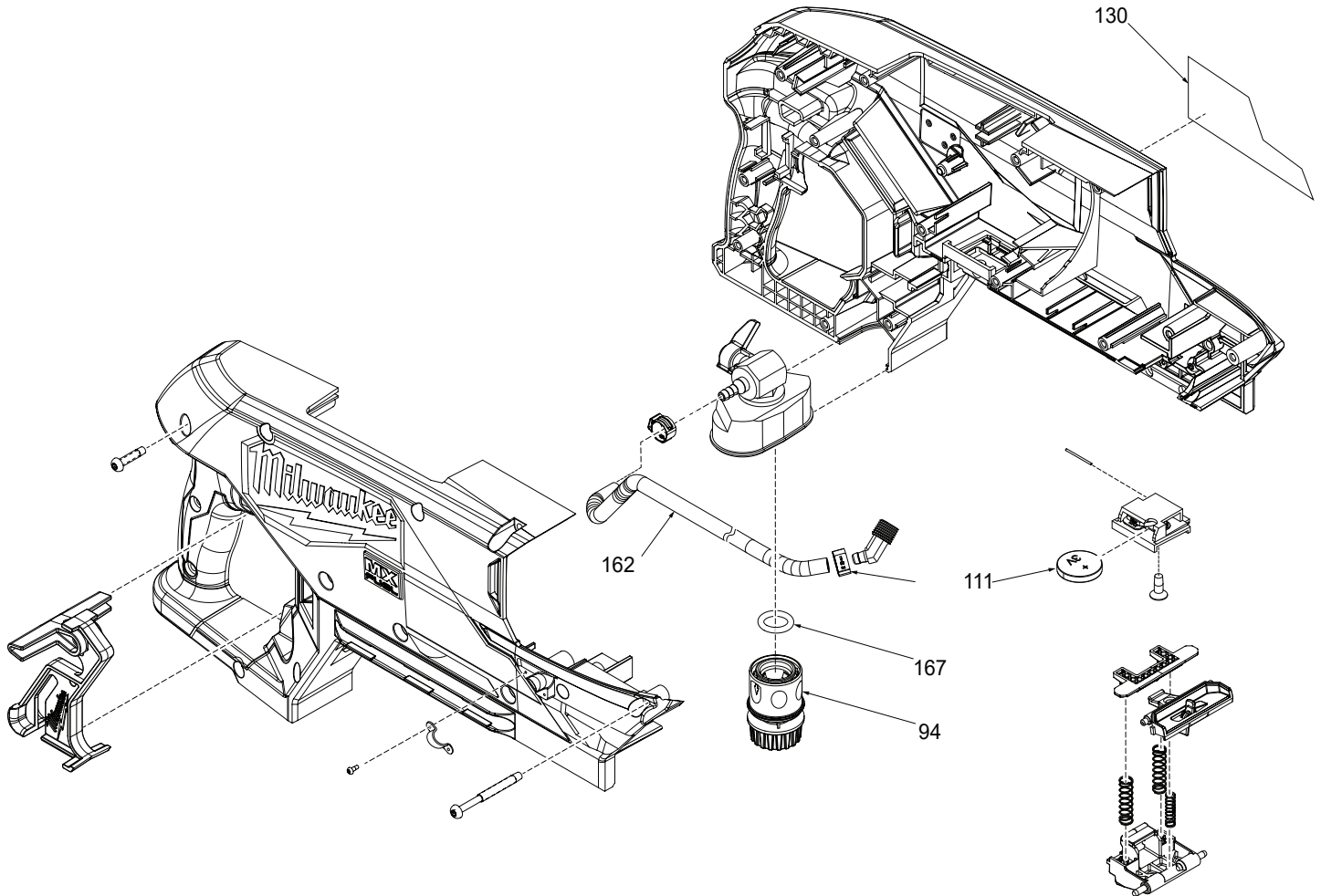


FIG.	PART NO.	DESCRIPTION OF PART	NO. REQ.
94	42-90-0012	Quick Hose Connector	(1)
111	50-11-0020	3V Coin Cell Battery (CR2032)	(1)
130	12-20-0177	Service Nameplate	(1)
162	45-80-0325	Water Hose Kit	(1)
167	34-40-0166	O-Ring	(1)

**Service** for Milwaukee Tool MX FUEL Products  
 Please Call: 1-833-953-2010

# GEARCASE ASSEMBLY

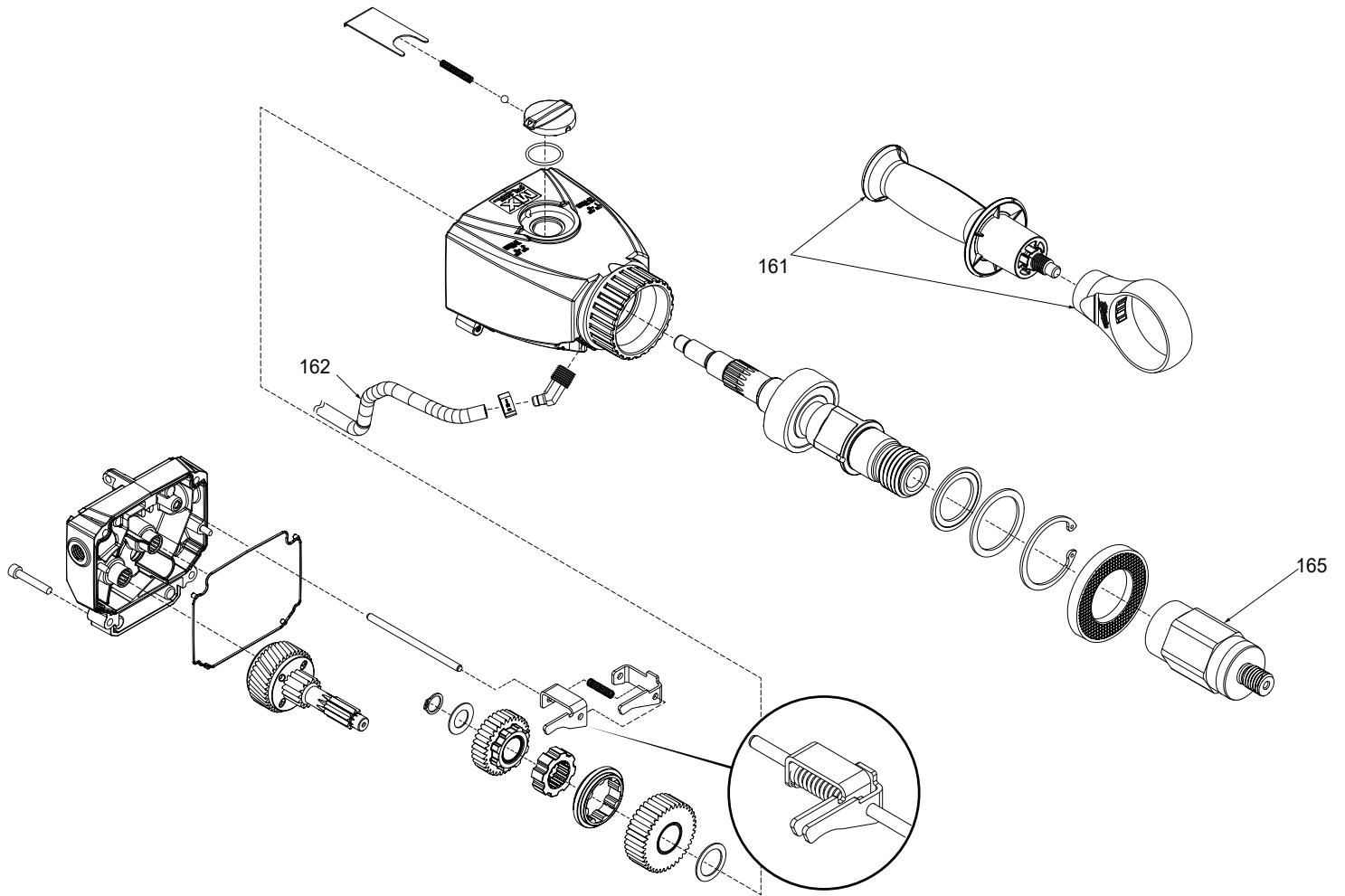


FIG.	PART NO.	DESCRIPTION OF PART	NO. REQ.
161	14-34-6005	Side Handle Assembly	(1)
162	45-80-0315	Water Hose/Valve Assembly	(1)
165	48-03-0040	Adapter Assembly	(1)