

KICHLER®

44" ARVADA LED FAN

Product images may vary slightly from actual product.



INSTRUCTION MANUAL

TABLE OF CONTENTS

SAFETY RULES	4	INSTALLATION OF SAFETY SUPPORT	17
TOOLS REQUIRED	5	ATTACHING THE BLADE BRACKET.....	19
PACKAGE CONTENTS	5	ATTACHING THE BLADE ARMS	19
MOUNTING OPTIONS	6	REMOVE THE 17W LED ASSEMBLY	20
PRE-INSTALLATION	7	FROM LIGHT KIT PLATE	
HANGING THE FAN-STANDARD	8	INSTALLING THE LIGHT KIT PLATE	20
FAN MOUNTING WITH DOWNROD		INSTALLING THE LED ASSEMBLY	21
HANGING THE FAN	9	INSTALLING THE GLASS SHADE	21
INSTALLATION OF SAFETY SUPPORT	11	INSTALLING THE TRANSMITTER	22
ELECTRICAL CONNECTIONS	12	OPERATION INSTRUCTION	23
FINISHING THE INSTALLATION	14	REVERSE FUNCTION	24
CLOSE-TO-CEILING FAN MOUNTING.....	15	TROUBLESHOOTING	25
WITHOUT DOWNROD			
ELECTRICAL CONNECTIONS	16		

SAFETY RULES

NOTE: READ AND SAVE THIS INSTRUCTIONS.

1. To reduce the risk of electric shock, insure electricity has been turned off at the circuit breaker or fuse box before beginning.
2. All wiring must be in accordance with the National Electrical Code and local electrical codes. Electrical installation should be performed by a qualified licensed electrician.
3. **WARNING:** To reduce the risk of fire, electric shock, or personal injury, mount to outlet box marked "acceptable for fan support of 15.8 kg (35 lbs.) or less" and use mounting screws provided with the outlet box. Most outlet boxes commonly used for the support of light fixtures are not acceptable for fan support and may need to be replaced. Due to the complexity of the installation of this fan, a qualified licensed electrician is strongly recommended.

WARNING: TO REDUCE THE RISK OF FIRE, ELECTRIC SHOCK OR PERSONAL INJURY, MOUNT FAN TO OUTLET BOX MARKED "ACCEPTABLE FOR FAN SUPPORT".

4. The outlet box and support structure must be securely mounted and capable of reliably supporting a minimum of 50 pounds. Use only CUL Listed outlet boxes marked "FOR FAN SUPPORT".
5. The fan must be mounted with a minimum of 7 feet clearance from the trailing edge of the blades to the floor.
6. All set screws must be checked , and retightened where necessary , before installation.
7. To operate the reverse function on this fan, press the reverse button while the fan is running.

8. Avoid placing objects in the path of the blades.
9. To avoid personal injury or damage to the fan and other items, be cautious when working around or cleaning the fan.

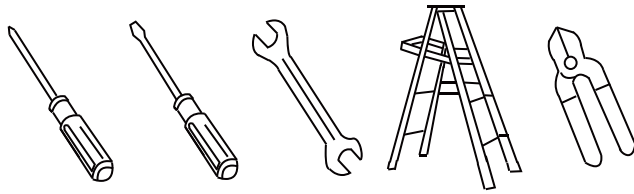
WARNING: MAKE SURE THE POWER IS OFF AT THE ELECTRICAL BOX BEFORE YOU ATTEMPT ANY CLEANING AND MAINTENANCE.

10. Do not use water or detergents when cleaning the fan or fan blades. A dry dust cloth or lightly dampened cloth will be suitable for most cleaning.
11. After marking electrical connections, spliced conductors should be turned upward and pushed carefully up into outlet box. The wires should be spread apart with the grounded conductor and the equipment-grounding conductor on one side of the outlet box.
12. Electrical diagrams are reference only. Light kits that are not packed with the fan must be CUL Listed and marked suitable for use with the model fan you are installing. Switches must be CUL General Use Switches. Refer to the Instructions packaged with the light kits and switches for proper assembly.

WARNING: TO REDUCE THE RISK OF PERSONAL INJURY, DO NOT BEND THE BLADE BRACKETS (ALSO REFERRED TO AS FLANGES) DURING ASSEMBLY OR AFTER INSTALLATION. DO NOT INSERT OBJECTS IN THE PATH OF THE BLADES.

TOOLS REQUIRED

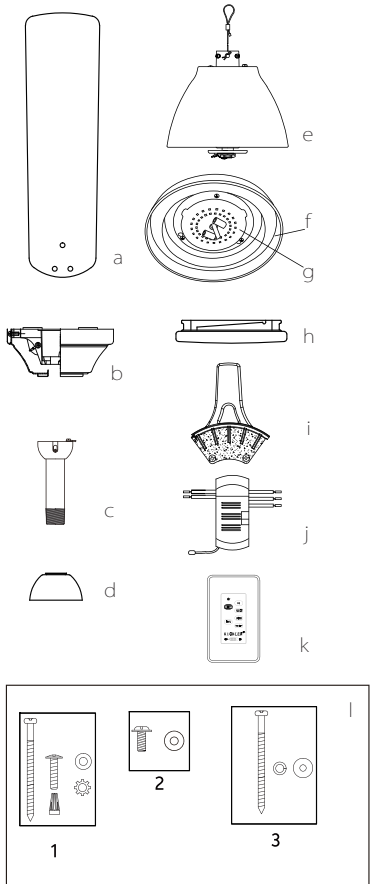
Philips screw driver
Blade screw driver
11 mm wrench
Step ladder
Wire cutters



PACKAGE CONTENTS

Unpack your fan and check the contents. You should have the following items:

- a. Fan blades (5)
 - b. Canopy, Canopy decorative ring, canopy cover and ceiling mounting bracket
 - c. Ball/downrod assembly
 - d. Coupling cover
 - e. Fan motor assembly
 - f. Light Kit Plate
 - g. 17W LED assembly (preassembled)
 - h. Glass shade
 - i. Blade arm (5) with blade arm screws(10)
 - j. Receiver(1)+ wire nut (6)
 - k. Wall transmitter
 - l. Part bag contents
- 1) Mounting hardware:
wood screws (2), flat washers (2)
star washers (2), wire nuts (3),
screws (2)
- 2) Blade attachment hardware:
Screw (15)
Fiber washer (15)
- 3) Safety cable hardware:
wood screw, spring washer,
flat washer
- The total weight of the fan
including all accessories : 15.09 LBS



MOUNTING OPTIONS

If there isn't an existing UL (cUL for Canadian Installation) listed mounting box, then read the following instructions. Disconnect the power by removing fuses or turning off circuit breakers.

Secure the outlet box directly to the building structure. Use appropriate fasteners and building materials. The outlet box and its support must be able to fully support the moving weight of the fan (at least 50 lbs). Do not use plastic outlet boxes.

Figures 1, 2 and 3 are examples of different ways to mount the outlet box.

NOTE: If you are installing the ceiling fan on a sloped (vaulted) ceiling, you may need a longer downrod to maintain proper clearance between the tip of the blade and the ceiling. A minimum clearance of 12" is suggested for optimal operation.

NOTE: Depending on the location you have selected for installation, you may need to purchase and install a "Joist Hanger" for the support of the outlet box. Make sure the joist hanger you purchase has been designed for use with ceiling fans. (Fig. 4)

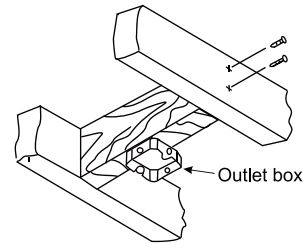


Fig. 1

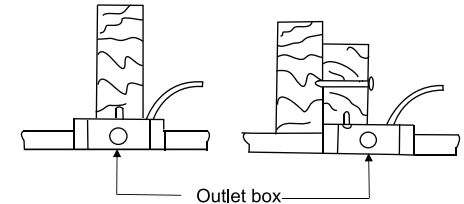


Fig. 2

**ANGLED CEILING
MAXIMUM 18° ANGLE**

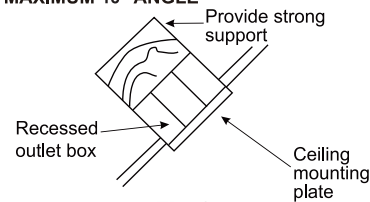


Fig. 3

Remark: Fig.3 is not workable for hugger fan.

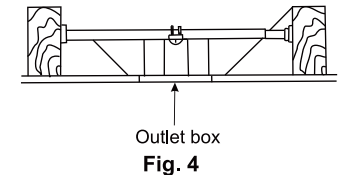


Fig. 4

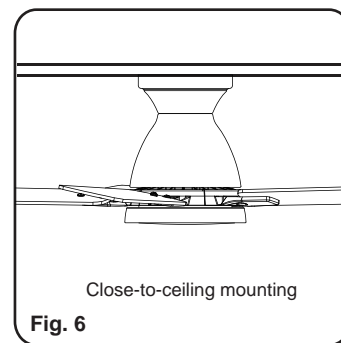
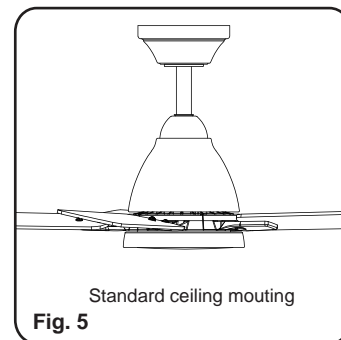
PRE-INSTALLATION

DUAL MOUNTING INSTRUCTIONS

This ceiling fan is supplied with two types of hanging assemblies: the standard ceiling installation using the downrod with ball and the "close-to-ceiling" mounting. The "close-to-ceiling" mounting is recommended in rooms with less than 8 ft. ceilings or in areas where additional space is desired from the floor to the fan blades.

When using the standard downrod installation, the distance from the ceiling to the bottom of the fan blades will be approximately 13.96 in. The "close-to-ceiling" installation reduces the distance from the ceiling to the bottom of the fan blades to approximately 8.76 in.

Once you have decided which ceiling installation you will use, refer to the corresponding sections and procedures during the assembly period. Where necessary, each section of the instructions will note the different procedures to follow for the two types of installation.



HANGING THE FAN-STANDARD FAN MOUNTING WITH DOWNROD

REMEMBER to turn off the power before you begin.

To properly install your ceiling fan, follow the steps below.

Step 1: Push down the canopy decorative ring from the canopy .
(Fig.7)

Step2. Remove canopy cover from the canopy by turning the cover counter clockwise. (Fig. 7)

Step3. Step 2. Remove the two non-slotted canopy mounting screws from the canopy ,and loosen the other two slotted canopy mounting screw on the canopy. Remove the canopy from the hanger bracket by turning the canopy counter clockwise.

Step 4. Pass the 120 volt supply wires from the ceiling outlet box through the center of the ceiling mounting bracket. (Fig.8)

Step 5. Attach the ceiling mounting bracket to the outlet box using the screws and washers included with the outlet box. (Fig.8)

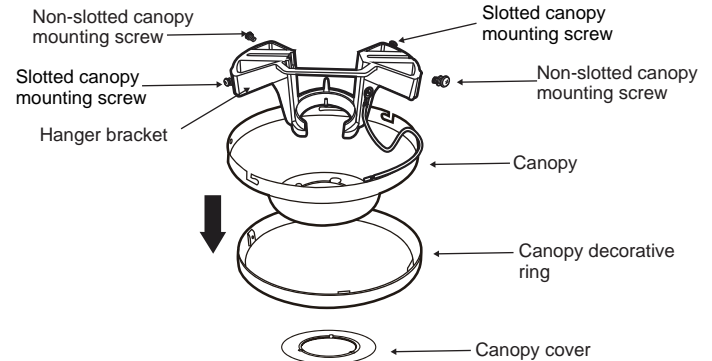


Fig. 7

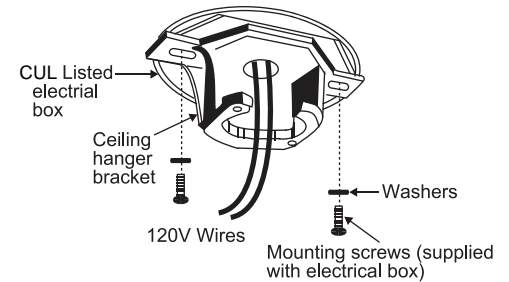


Fig. 8

HANGING THE FAN (continued)

Step 5. Remove the hanger ball from the downrod assembly by loosening the set screw, unscrewing and removing the cross pin and unscrewing the ball off the rod. (Fig.9)

Step 6. Loosen the two set screws and remove the hitch pin and retaining clip from the coupling on top of the motor assembly. (Fig.10)

Step 7. Carefully feed the electrical lead wires from the fan up through the downrod. Thread the downrod into the coupling until the Hitch pin holes are aligned.

Next, replace the hitch pin and retaining clip. Tighten both set screws. (Fig.10)

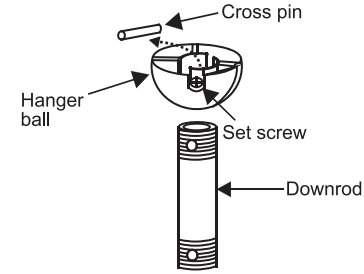


Fig. 9

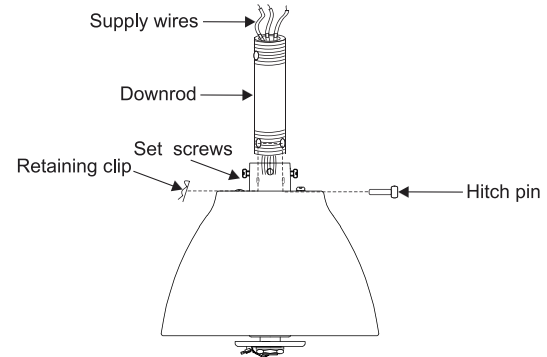


Fig. 10

HANGING THE FAN (continued)

Step 8. Slip the coupling cover, canopy cover, canopy decorative ring and canopy onto the downrod. (Fi. 11)

Thread the hanger ball onto the downrod, insert the cross pin through the downrod and tighten. Now tighten the set screw. (Fig.12)

Step 9. Lift the motor assembly into position and place the hanger ball into the ceiling mounting bracket.

Rotate the entire assembly until the "Check Tab" has dropped into the "Registration Slot" and seats firmly. (Fig.12)

The entire motor assembly should not rotate (left or right) when seated properly.

WARNING: Failure to reattach the cross pin and seat the "Check Tab" can cause the fan to fall from the ceiling during operation. Take special care to make sure this pin is reattached.

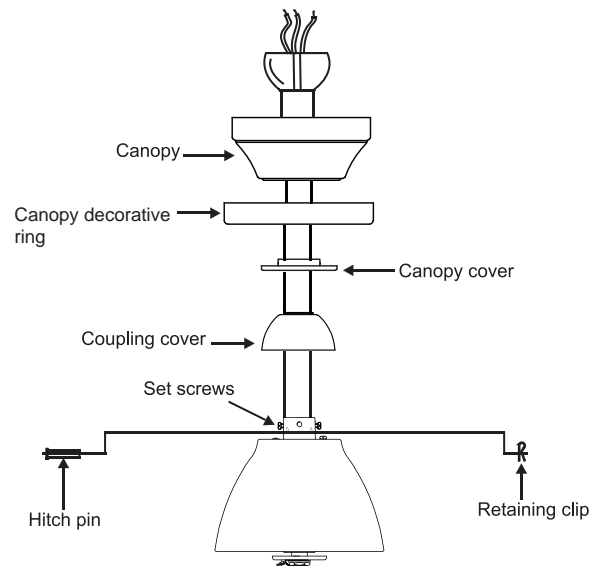


Fig. 11

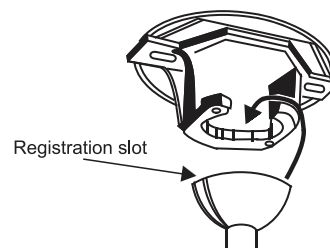


Fig. 12

INSTALLATION OF SAFETY SUPPORT

(required for Canadian installation ONLY)

A safety support cable is provided to help prevent the ceiling fan from falling.

Step 1. Attach the provided wood screw and washers to the ceiling joist next to the mounting bracket but do not tighten. (Fig.13)

Step 2. Adjust the length of the safety cable to reach the screw and washers by pulling the extra cable through the cable clamp until the overall length is correct, put the end of the cable back through the cable clamp, forming a loop at the end of the cable. Tighten the cable clamp securely. Now, put the loop in the end of the safety cable over the wood screw and under the washer. Tighten the wood screw securely.

NOTE: Although the safety support cable is required for Canadian installations only. It's a good idea to make the attachment with any installation.

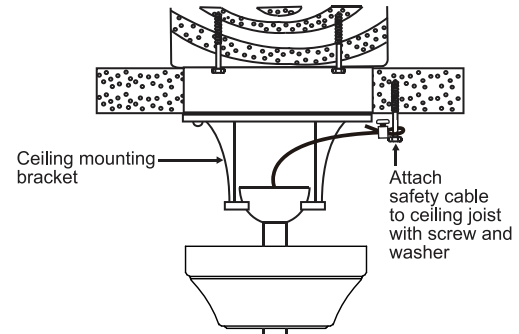


Fig. 13

ELECTRICAL CONNECTIONS

WARNING: To avoid possible electrical shock, be sure you have turned off the power at the main circuit panel.

Follow the steps below to connect the fan to your household wiring. Use the wire connecting nuts supplied with your fan. Secure the connectors with electrical tape. Make sure there are no loose wire strands or connections.

Step 1. Insert the receiver into the ceiling mounting bracket with the flat side of the receiver facing the ceiling. (Fig.14) For best performance, make sure the Black Antenna, on the end of the receiver, remains extended and not tangled with any of the electrical wires.

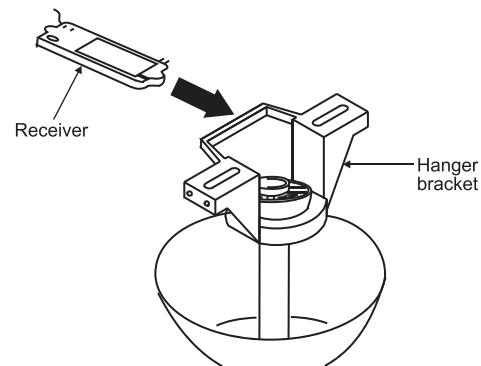


Fig. 14

ELECTRICAL CONNECTIONS

(continued)

Step 2. Motor to Receiver Electrical Connections: (Fig.15) Connect the black wire from the fan to the black wire marked "TO MOTOR L" on the receiver. Connect the white wire from the fan to the white wire marked "TO MOTOR N" on the receiver. Connect the blue wire from the fan to the blue wire marked "FOR LIGHT" on the receiver. Secure all the wire connections with the plastic wire nuts provided.

Step 3. (Fig.15) Receiver to House Supply Wires Electrical Connections: Connect the black (hot) wire from the ceiling to the black wire marked "AC in L" from the receiver. Connect the white (neutral) wire from the ceiling to the white wire marked "AC in N" from the Receiver. Secure the wire connections with the plastic wire nuts provided.

Step 4.(Fig.15) If your outlet box has a ground wire (green or bare copper) connect it to the fan ground wires; otherwise connect the hanging bracket ground wire to the mounting bracket. Secure the wire connection with a plastic nut provided. After connecting the wires, spread them apart so that the green and white wires are on one side of the outlet box and black and blue wires are on the other side. Carefully tuck the wire connections up into the outlet box.

Note: Fan must be installed at a maximum distance of 30 feet for optimal signal transmission between the transmitter and the fan's receiving unit.

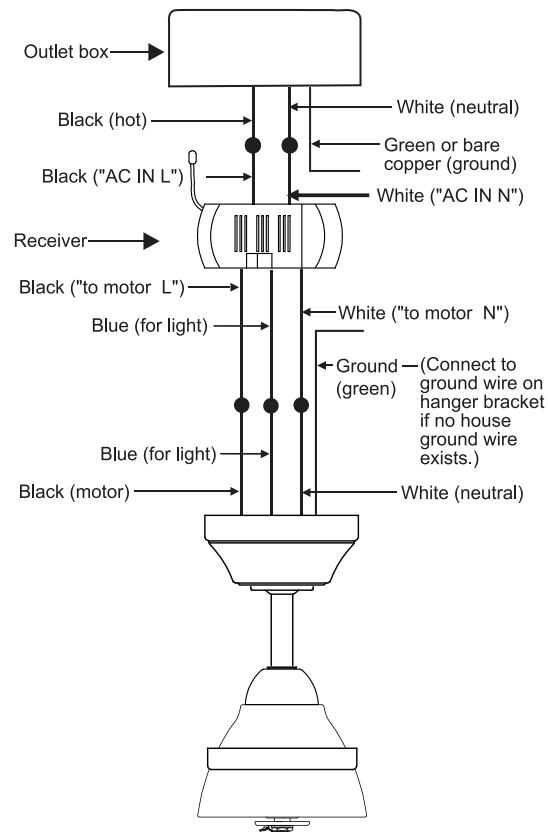


Fig. 15

FINISHING THE INSTALLATION

Step 1. Tuck all the connections neatly into the ceiling outlet box.

Step 2. Install the canopy to the hanger bracket by aligning the key holes in the canopy with the two slotted screws in the hanging bracket which loosen previously, then lift the canopy up and turning clockwise. Re-tighten the two slotted screws and re-install the two non-slotted screws. Tighten all screws securely.

Step 3. Installing the canopy cover to the canopy by turning clockwise.

Step 4. Installing the decorative ring onto the canopy by pushing it up.

WARNING: Make sure the "Check Tab" at the bottom of the hanger bracket is properly seated in the "Registration Slot" on the side of the hanger ball before attaching the canopy to the bracket. Failure to properly seat the "Check Tab" could damage the electrical wires when to ceiling fan blade direction is changed while the fan is running.

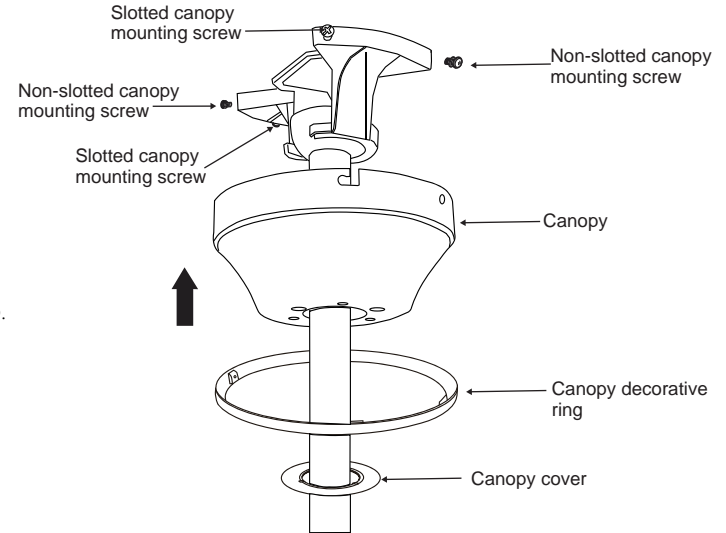


Fig. 16

CLOSE-TO-CEILING FAN MOUNTING WITHOUT DOWNROD

WARNING: All of the parts, hardware and components such as the hanger bracket and hanger ball have been provided for your safety and the proper installation of your new ceiling fan. The use of other parts, hardware or components not supplied with the fan will void the Warranty.

REMEMBER to turn off the power. Follow the steps below to hang your fan properly:

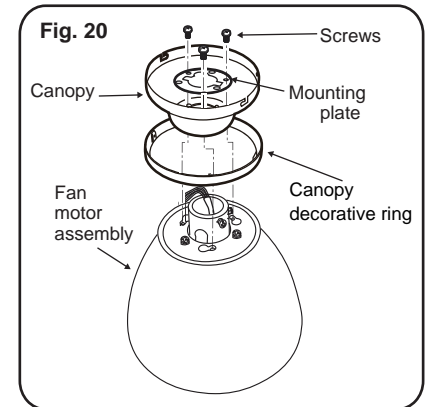
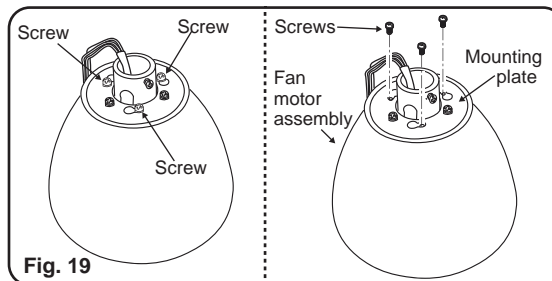
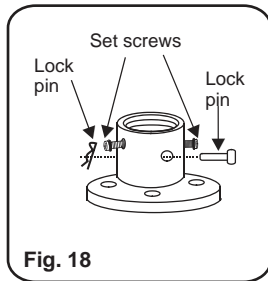
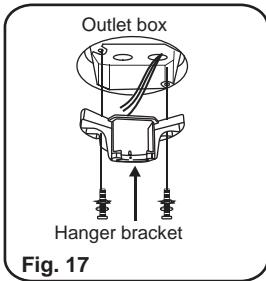
Step 1. Secure the Hanger Bracket to the ceiling outlet box using the screws provided with your outlet box inconjunction. (Fig. 17)

Step 2. Remove the two Set Screws, the Hitch Pin and Lock Pin from the coupling located on the top of the MotorAssembly. (Fig. 18)

Step 3. Remove the mounting plate from the coupling by removing the three screws. Note: there are six screws on the coupling. please only need to remove that three screws with arrows pointing (Fig.19)

Step 4. Slip the canopy decorative ring to the fan motor assembly (make sure the slot openings are on top), and then proceed to place the canopy and locking plate over the coupling at the top of fan motor assembly. (Fig.20)

Step 5. Align the three holes from mounting plate and canopy to the fan motor assembly. Attach the mounting plate and canopy and fan motor assembly together by tightening the three screws which removed in step 3. (Fig.20)



Step 5. To prepare the fan for wiring, hang fan onto hanging bracket by sliding the canopy over the hanging bracket tab. (Use one of the non-slotted holes on the rim of the canopy) (Fig. 21)

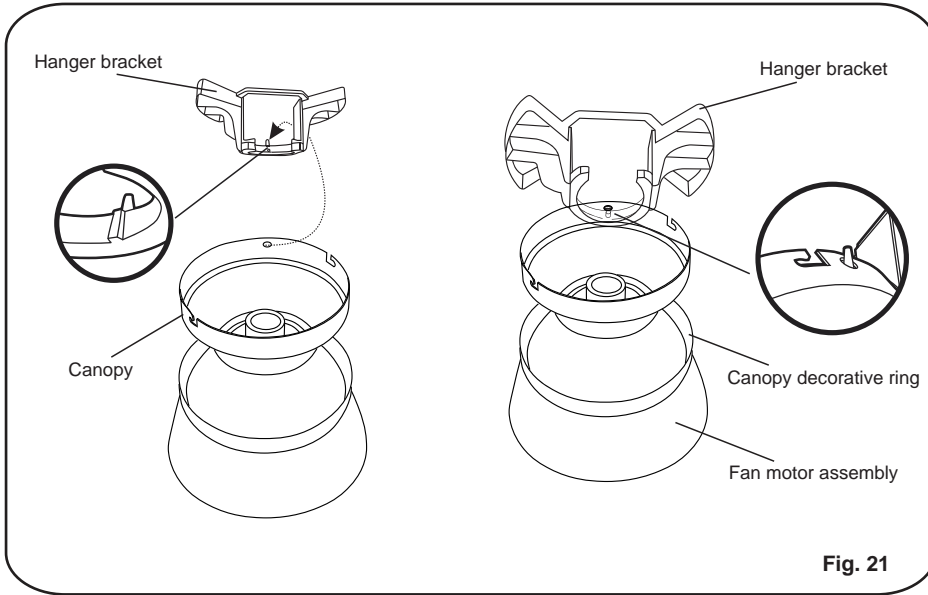


Fig. 21

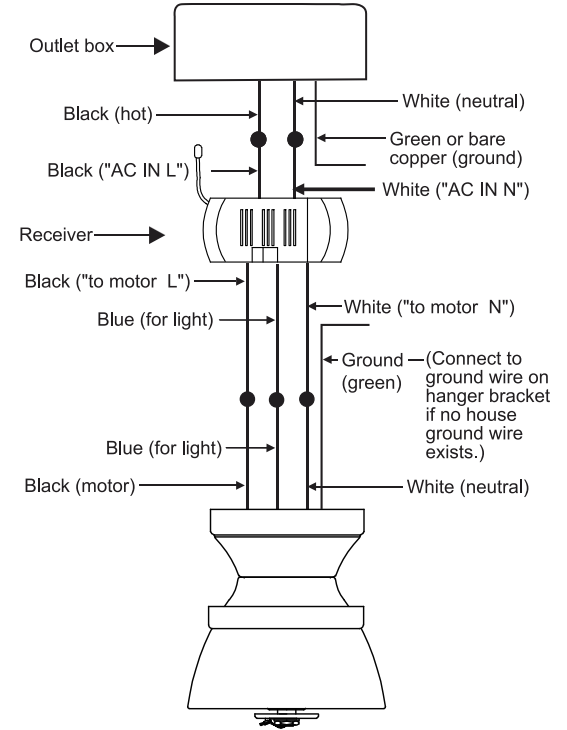


Fig. 22

ELECTRICAL CONNECTIONS

(continued)

INSTALLATION OF SAFETY SUPPORT

(required for Canadian installation ONLY)

A safety support cable is provided to help prevent the ceiling fan from falling.

Step 1. Attach the provided wood screw and washers to the ceiling joist next to the mounting bracket but do not tighten. (Fig.23)

Step 2. Adjust the length of the safety cable to reach the screw and washers by pulling the extra cable through the cable clamp until the overall length is correct, put the end of the cable back through the cable clamp, forming a loop at the end of the cable. Tighten the cable clamp securely. Now, put the loop in the end of the safety cable over the wood screw and under the washer. Tighten the wood screw securely.

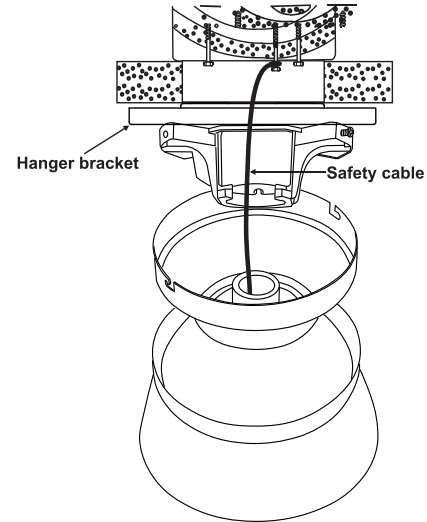


Fig. 23

NOTE: Although the safety support cable is required for Canadian installations only. It's a good idea to make the attachment with any installation.

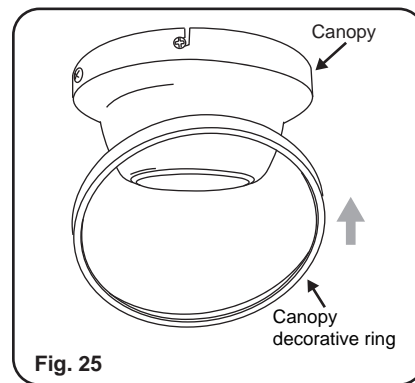
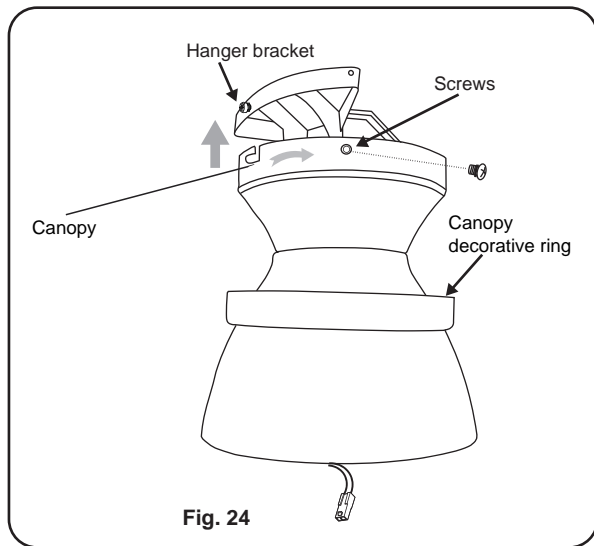
FINISHING THE INSTALLATION

Step 1. Remove the two screws and loosen the two screws on the hanger bracket.

Step 2. Install the canopy to the hanger bracket by aligning the key holes in the fan housing with the two screws in the hanger bracket, then lifting the canopy up and turning clockwise. (Fig. 24)

Step 3. Re-tighten the two screws and re-install the two screws. Tighten all screws securely.

Step 4. Push the canopy decorative ring to the top of canopy (Fig.25)



ATTACHING THE BLADES

Step 1. Attach the fan blade to the blade bracket using the blade screws and fiber washers. Tighten the screws and fiber washers securely.

Step 2. Repeat this procedure with the remaining four blades.

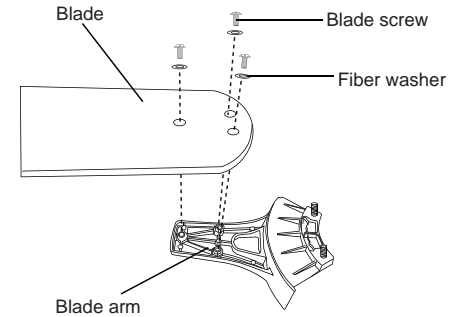


Fig. 26

ATTACHING THE BLADE ARM

Step 1. Fasten the blade arm to fan motor assembly by using the blade arm screws. Tighten the screws securely.

Step 2. Repeat this procedure with the remaining four blade assemblies.

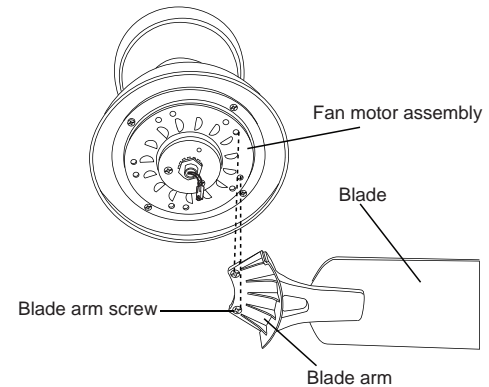


Fig. 27

REMOVE THE 17W LED ASSEMBLY FROM LIGHT KIT PLATE

Step 1. Remove the screw from circular hole and loosen the other two screws from key holes approximately 1/4 turn. Keep the screw that removed aside for use later.

Step 2. Turn the key holes from the 17W LED assembly from the two screws loosened previously and remove the 17W LED assembly from the light kit plate.

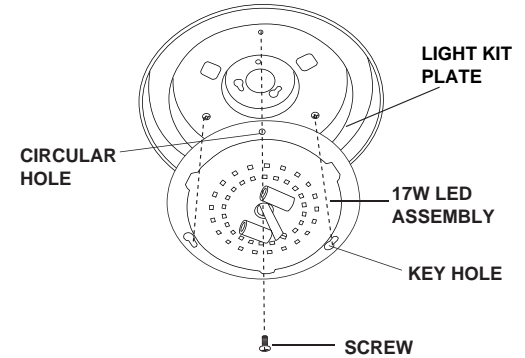


Fig. 28

INSTALLING THE LIGHT KIT PLATE

Step 1. Remove one of the three screws from the fan motor assembly mounting ring and loosen, but not remove, the other two screws.

Step 2. Place the key holes from the light kit plate over the two screws previously loosened from the fan motor assembly mounting ring. Turn the light kit plate until it locks in place at the narrow section of the key holes. Secure by tightening the two screws previously loosened and the one screw previously removed.

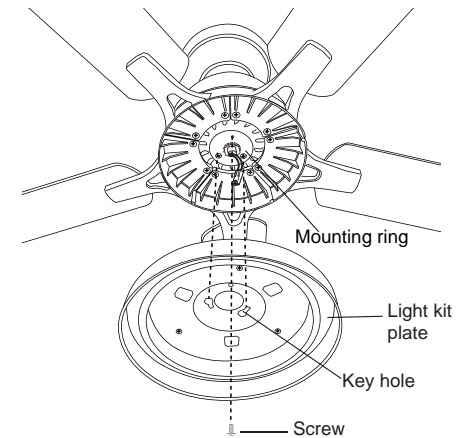


Fig. 29

INSTALLING THE 17W LED ASSEMBLY

Step 1. While holding the LED assembly under the fan, firmly snap the wire connection plugs together.

Step 2. Place the key holes from the LED assembly over the two screws previously loosened from the light kit plate. Turn the LED assembly until it locks in place at the narrow section of the key holes. Secure by tightening the two screws previously loosened and the one screw previously removed.

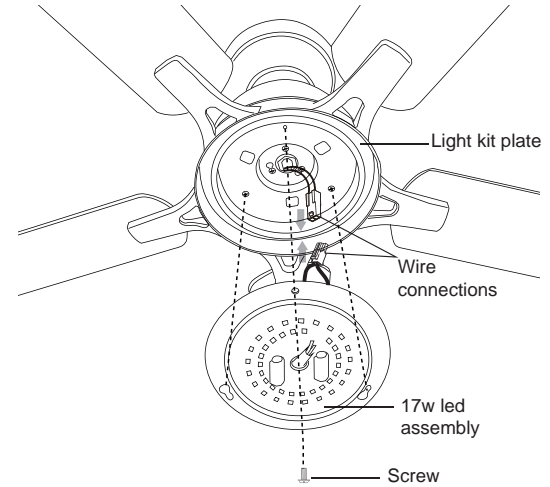


Fig. 30

INSTALLING THE GLASS SHADE

Attach the glass shade to the light kit plate by twisting tightly. (DO NOT OVERTIGHTEN)

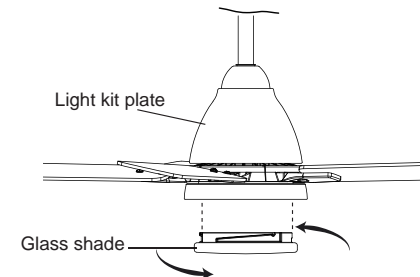


Fig. 31

INSTALLING THE WALL TRANSMITTER

WARNING: HOOK UP 'IN SERIES" ONLY. DO NOT CONNECT NEUTRAL SUPPLY WIRE OF ELECTRIC CIRCUIT TO THE TRANSMITTER WALL SWITCH, DAMAGE TO THE TRANSMITTER WALL SWITCH AND POSSIBLE FIRE COULD OCCUR.

- Step 1. Remove the existing wall plate and switch from the wall outlet box.(Fig.32)
- Step 2. Make the electrical connections as shown in Fig. 33. If your outlet box has a ground wire (Green or Bare Copper) connect the transmitter's ground wire directly to one of the screws from the outlet box. Secure all wire connections with the plastic wire nuts provides.
- Step 3. Carefully tuck the wire connections inside the wall outlet box . Use the screws provided to secure the wall transmitter and wall plate to the wall outlet box.

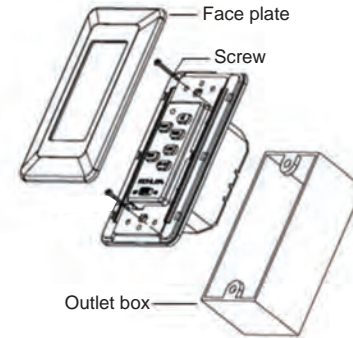


Fig. 32

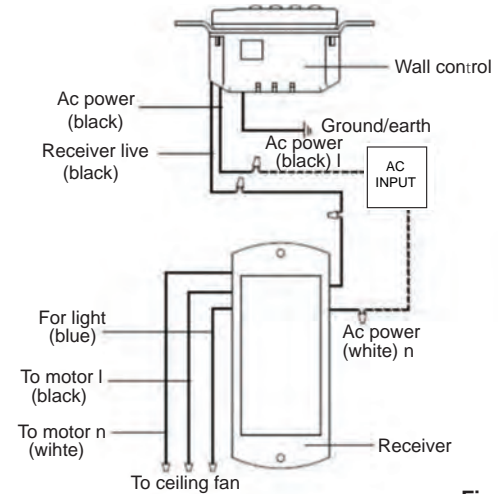


Fig. 33

OPERATION INSTRUCTION

ACTIVATING THE LEARNING PROCESS(Fig. 34)

NOTE: The control system for this fan is equipped with a learning frequency function which has 56K code combinations to prevent potential interference from other remote units. The frequency on your receiver and wall transmitter units have been preset at the factory. No frequency change is necessary. If the fan is non-functional or if you desire to install another fan within the same home or area with a separate frequency code, please see below "learning process" section of this instruction manual to code-pairing the receiver and wall transmitter.

1. Use a small flat screw driver and gently pry the faceplate apart from the top of wall transmitter. (Fig.34)
2. After installation is complete, AC power is turned on and OFF ON SWITCH is at ON position within 30 seconds,press and hold the LEARN button for 3 seconds. Fan will turn on at medium speed and light (if installed) will turn on. This confirms that the SMART SYNC setting is active and ok. (Fig. 34)
3. If user cannot finish the setting within the 30 seconds time frame, the main power must be turned off and re-started again. This will reset the unit. Repeat step 2 until the LEARNING feature is activated as indicated.

LIGHT FUNCTION SELECT SWITCH(Fig.34)

1. D means " dimmer "
O means " only on/off, no dimmer"
The light of this fan can be dimmer, so it has been set to "D" at factory side. If you want the light to be only on/off, please kindly switch it to"O"

WALL TRANSMITTER OPERATION (Fig.35)

- ON/OFF: Active the wall transmitter or Lock the wall transmitter.
FAN OFF :Turn off the ceiling fan.
HI : Turn on the fan at high speed.
MED : Turn on the fan at medium speed.
LOW: Turn on the fan at low speed.
LIGHT: Turns the light ON or OFF. Press and hold the button to set the desired brightness.
REV: Press this button for forward/reverse airflow of ceiling fan.

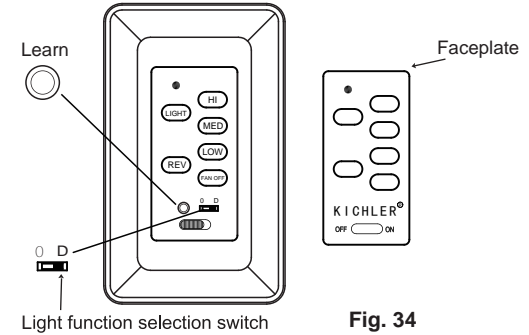


Fig. 34

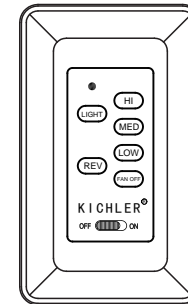


Fig. 35

REVERSE FUNCTION

NOTE: To change the direction of the rotation of the blades, the fan must be in operation.

Warm weather - Forward (counter clockwise) A downward airflow creates a cooling effect as shown in Fig. 36. This allows you to set your air conditioner on a warmer setting without affecting your comfort.

Cool weather - Reverse (clockwise) An upward airflow moves warm air off the ceiling area as shown in Fig. 37. This allows you to set your heating unit on a cooler setting without affecting your comfort.

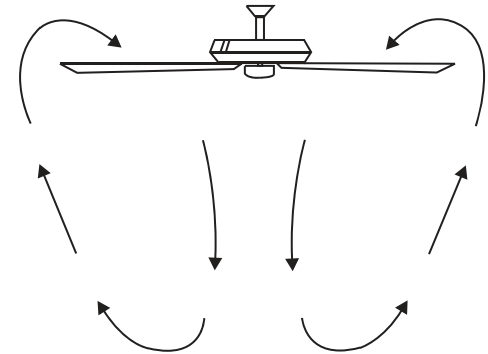


Fig. 36

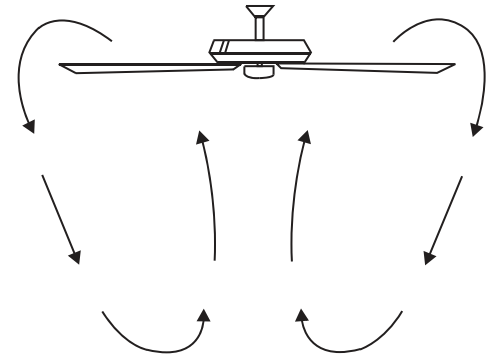


Fig. 37

TROUBLESHOOTING

Problem	Solution
Fan will not start.	<ol style="list-style-type: none">1. Check circuit fuses or breakers.2. Check all electrical connections to insure proper contact. <p>CAUTION: Make sure the main power is OFF when checking any electrical connection.</p>
Fan sounds noisy.	<ol style="list-style-type: none">1. Make sure all motor housing screws are snug.2. Make sure the screws that attach the fan blade brackets to the motor are tight.3. Make sure wire nut connections are not rubbing against each other or the interior wall of the switch housing. CAUTION: Make sure main power is off.4. Allow a 24-hour "breaking-in" period. Most noise associated with a new fan disappear during this time.5. If using an optional light kit, make sure the screws securing the glassware are tight. Make sure the light bulbs are not touching any other component.6. Do not connect this fan to wall mounted variable speed control(s). they are not compatible with ceiling fan motors or remote controls.7. Make sure the upper canopy is a short distance from the ceiling. It should not touch the ceiling.
Fan wobble.	<ol style="list-style-type: none">1. Check that all blade and blade arm screws are secure.2. Most fan wobbling problems are caused when blade levels are unequal. Check this level by selecting a point on the ceiling above the tip of one of the blades. Measure this distance. Rotate the fan until the next blade is positioned for measurement. Repeat for each blade. The distance deviation should be equal within 1/8".3. If the blade wobble is still noticeable, interchanging two adjacent (side by side) blades can redistribute the weight and possibly result in smoother operation.
Remote control malfunction.	<ol style="list-style-type: none">1. Ceiling Fans with remote control systems CAN NOT be operated in conjunction with any other control system EXCEPT a basic On/Off wall switch, if desired.

KICHLER®

www.kichler.com

KICHLER® LIGHTING

7711 EAST PLEASANT VALLEY ROAD

CLEVELAND, OHIO 44131-8010

CUSTOMER SERVICE 866.558.5706

8:30 AM TO 5:00 PM EST, MONDAY - FRIDAY