



5 SERIES 48" AND 60"W. DUAL FUEL RANGES

Viking Professional 5 Series – VDR

COMMERCIAL-TYPE COOKING POWER

- **EXCLUSIVE** – VSH (VariSimmer-to-high) Pro sealed burner system
 - TruPowerPlus 18,500 BTU front right burner
 - All other burners are 15,000 BTUs
- **EXCLUSIVE** – VariSimmer™ Setting for all burners
- **EXCLUSIVE** – all burners equipped with SureSpark™ Ignition System for consistent and reliable ignition every time
 - Automatic re-ignition; surface burners light at any position on the knob and re-light if extinguished, even on lowest setting
- **NEW** Heavy-duty BlackChrome™ knobs and square bezels shipped standard
- One of the largest oven cavities in the industry
- **EXCLUSIVE** – patented Vari-Speed Dual Flow™ Convection System has the largest convection fan in the industry; the 8 1/2" fan works bi-directionally for maximum airflow and excellent cooking results
- Concealed 10-pass dual bake element provides precise temperature control (4-pass bake element in left oven of 48" wide model)
- Large 10-pass broiler with heat reflector
- Rapid Ready™ Preheat provides one of the fastest preheat times, so your oven is ready to begin cooking when you are
- Oven(s) have six porcelain-coated rack positions and come standard with three racks
- **NEW EXCLUSIVE** – Gentle Close™ Door allows door to close slowly
- **NEW** larger window opening
- Three strategically located oven lights provide maximum visibility; one light in left oven of 48" wide model
- High-performance cooking modes include bake, convection bake, TruConvec™ Convection Cooking, convection roast, broil, convection broil, convection dehydrate, and convection defrost; left oven in 48" wide model includes proofing mode



EASY OPERATION AND CLEANUP

- **EXCLUSIVE** – one-piece tooled and porcelainized cooking surface for easy cleanup
- Burner caps are easily removable for quick cleaning
- Heavy-duty, porcelainized, cast-iron removable surface grates provide continuous front-to-rear, left-to-right surface for easy movement of large pots
- Self-cleaning porcelain ovens
- Concealed bake element(s) make for easy cleanup of oven cavity

MODEL NUMBERS

- VDR5488B – 48"W. Dual Fuel Range; eight burners
- VDR5486G – 48"W. Dual Fuel Range; six burners with griddle
- VDR5606GQ – 60"W. Dual Fuel Range; six burners with griddle and grill

ACCESSORIES

- BG8548SS – 8"H. backguard for 48" range
- BG8560SS – 8"H. backguard for 60" range
- HS24548SS – high shelf for 48" range
- HS24560SS – high shelf for 60" range
- P24CSTSS – countertop side trim (2 pieces)
- P48CRTSS – countertop rear trim for 48" range
- P60CRTSS – countertop rear trim for 60" range
- P48CBF4SS – curb base and custom curb base front for 48" range
- LPKPDR – LP/Propane Conversion Kit

COLOR FINISHES

- Available in seven exclusive color finishes
- Stainless Steel (SS), Black (BK), White (WH), Apple Red (AR), Burgundy (BU), Cobalt Blue (CB), Graphite Gray (GG)



WARRANTY

- 2-year full – complete product
- 90-day full – cosmetic parts such as glass, painted items and decorative items
- 5-year limited – gas burners and electric oven elements

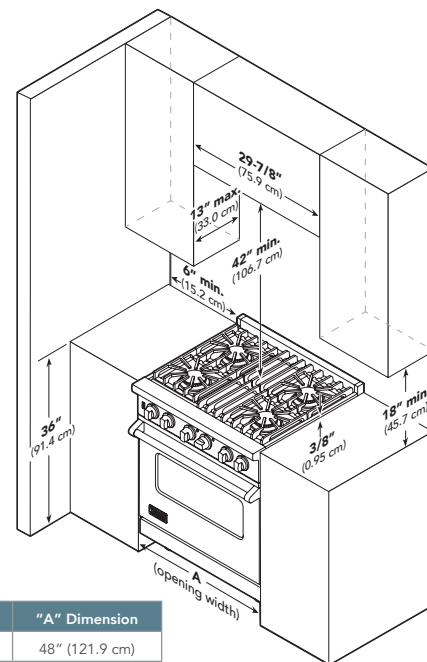
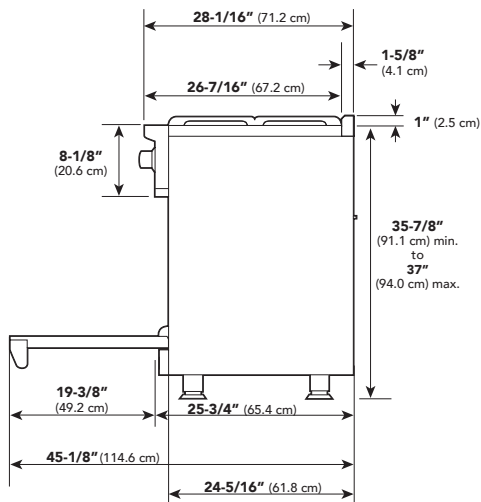
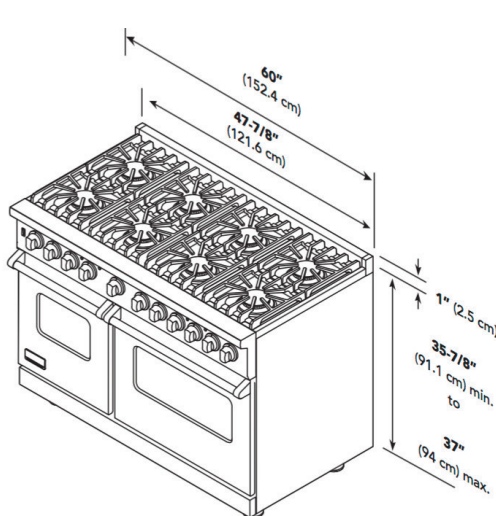


5 SERIES 48" AND 60"W. DUAL FUEL RANGES

Viking Professional 5 Series – VDR

DUAL FUEL 48" AND 60" W. RANGES		
DESCRIPTION	VDR548	VDR560
Overall Width	47-7/8" (121.6 cm)	60" (152.4 cm)
Overall Height from Bottom	Base Height To top of side trim – min. 35-7/8" (91.1 cm) to max. 37" (94 cm); legs adjust 1-1/8" (2.9 cm) Additions to Base Height To top of island trim – add 1" (2.5 cm), to top of backguard – add 8" (20.3 cm) To top of high shelf – add 23-1/2" (59.7 cm)	
Overall Depth from Rear	To end of side panel – 24-5/16" (61.8 cm); to front of door – 25-3/4" (65.4 cm) To end of door handle – 28-11/16" (72.9 cm) Add 3/4" (1.9 cm) to overall depth for 48" and 60" VDR installed against a combustible wall	
Gas Requirements	Shipped natural or LP/Propane gas; field convertible from natural to LP with conversion kit (purchased separately); accepts standard residential 1/2" (1.3 cm) ID gas service line	
Electrical Requirements	240-208VAC, 60 Hz electrical connection box on product, connect with locally supplied 3-wire, flexible cord or "pigtail" rated 50 amp 125-250VAC minimum. Cord must be agency approved for use with household electric ranges.	
Maximum Amp Usage	240V – 49 amps; 208V – 42.5 amps	240V – 40.0 amps; 208V – 34.7 amps
Surface Burner Rating	Power Burner 18,500 BTU (5.4 kW); 16,600 BTU (4.9 kW); Other Burners 15,000 BTU (4.4 kW); 12,500 BTU (3.7 kW)	
Griddle Burner Rating	12" wide – 15,000 BTU NAT./12,500 BTU LP (4.4 kW NAT./3.7 kW LP)	
Grill Burner Rating	NA	18,000 BTU (5.3kW) / 16,000 BTU (4.7 kW)
Oven Interior Dimensions	Right Oven – Convection Bake/Broil Overall Width – 25-5/16" (64.4 cm) Height – 16-1/2" (41.9 cm) Depth – 19-1/2" (49.5 cm); Overall Size – 4.7 cu. ft. AHAM Standard* – 4.1 cu. ft. 3 racks, 6 rack positions Left Oven – Bake/Broil/Proof Overall Width – 13-3/4" (34.9 cm) Height – 16-1/2" (41.9 cm) Depth – 19-1/2" (49.5 cm); Overall Size – 2.6 cu. ft. AHAM Standard* – 2.5 cu. ft. 2 racks, 6 rack positions	Convection Bake/Broil (both ovens) Overall Width – 25-5/16" (64.6 cm) Height – 16-1/2" (41.9 cm) Depth – 19-1/2" (49.5 cm) Overall Size – 4.7 cu. ft. AHAM Standard* – 4.1 cu. ft. 3 racks, 6 rack positions
Approximate Shipping Weight	575 lb. (258.8 kg)	750 lb. (337.5 kg)

Please do not prepare installation from brochure data only. See installation instructions for important clearance/installation information.
 **The AHAM Standard for measuring oven capacity subtracts the door plug and convection baffle dimension from the total oven volume.



"A" Dimension	
48"	48" (121.9 cm)
60"	60-1/4" (153.0 cm)



VIKING RANGE, LLC 111 FRONT STREET GREENWOOD, MISSISSIPPI 38

For detailed product information, model numbers, or to request a quote call 1-888-845-4641 or visit vikingrange.com
 © 2017 Viking Range, LLC All rights reserved. Specifications subject to change without notice.