



PFXC4512

COWAN SINGLE HANDLE PULL-DOWN KITCHEN FAUCET

Model Numbers

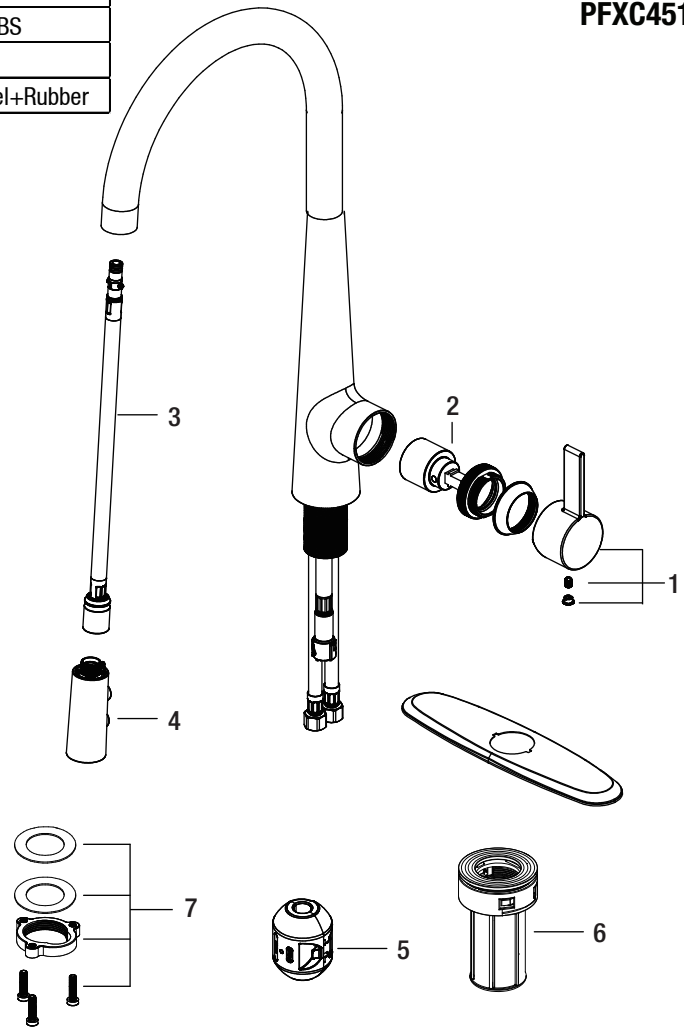
| | |
|-------------|--------------------|
| PFXC4512CP | Chrome |
| PFXC4512ZBN | PVD Brushed nickel |
| PFXC4512MB | Matte black |



PFXC4512CP

| No. | Part & Code | | Material Type |
|-----|-------------------|-------------------|-----------------------|
| 1 | Handle | OBPF78405401* | Zinc Alloy |
| 2 | Cartridge | OBPF23533049 | Plastic |
| 3 | Pull-down hose | OBPF83538011 | Nylon+Brass and etc |
| 4 | Sprayhead | OBPF6370111* | Plastic |
| 5 | Weight | OBPF18305412 | Steel+ABS |
| 6 | Quick install nut | OBPF120007050073 | ABS |
| 7 | Mounting hardware | OBPF1121010221021 | Aluminum+Steel+Rubber |

* Specify Finish



Warranty and Codes

This product comes complete with installation, operating, care and maintenance instructions. This PROFLO faucet carries a limited lifetime warranty when installed in residential applications. The warranty is five years in commercial applications. This product meets ASME: A112.18.1. Compliant with lead content requirements of US Senate Bill S.3874

