

Specifications

PFXC4512

COWAN SINGLE HANDLE PULL-DOWN KITCHEN FAUCET



Product Features

- Ceramic disc cartridge
- Metal lever handle
- Single hole or 3-hole sink installation
- Optional deck plate included
- Max. flow rate: 1.8 gpm (6.8L/min) at 60 psi
- Quick-mount system
- Two-function sprayer: stream and aerated spray
- Meets A112.18.1
- NSF 61 compliant
- cUPC/IAPMO listed
- Handle ADA compliant

Model Numbers

PFXC4512CP
PFXC4512ZBN
PFXC4512MB

Chrome
PVD Brushed nickel
Matte black

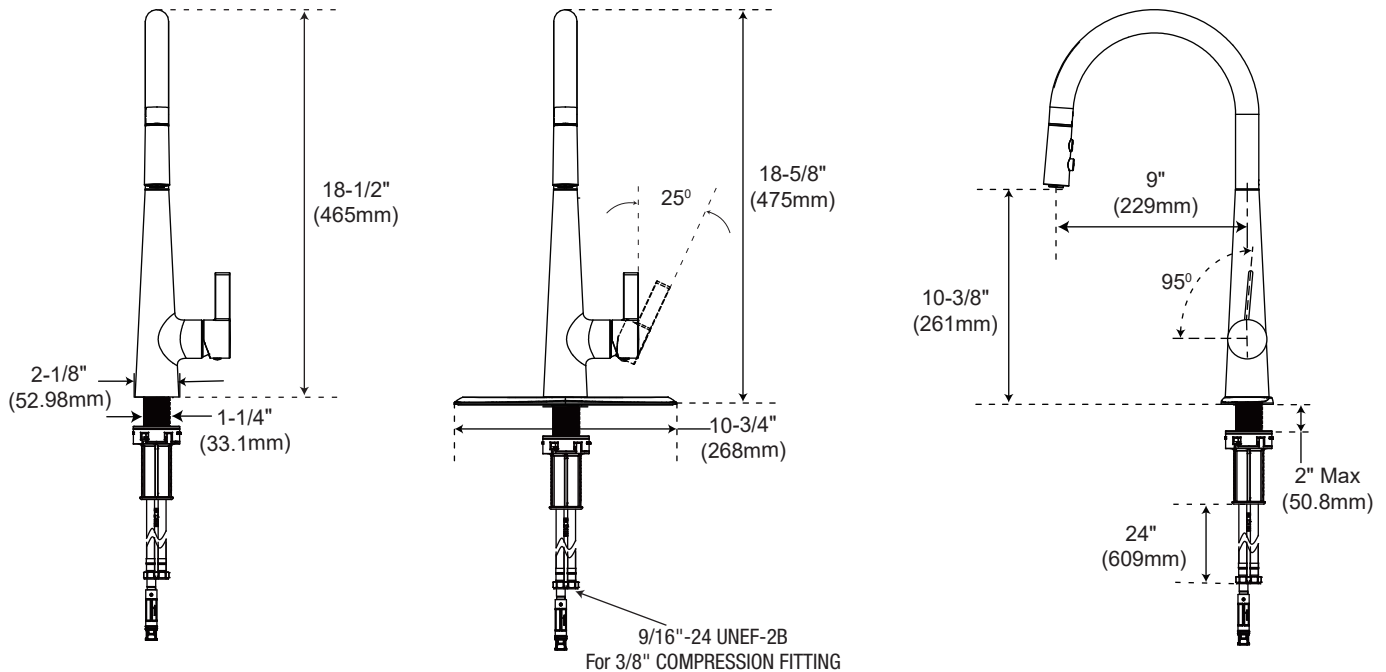


PFXC4512CP

Optional Parts

OBPF1121010221021 Metal mounting nut

Product Specifications



* All measurements are nominal. Please verify before actual installation.

Warranty and Codes

This product comes complete with installation, operating, care and maintenance instructions. This PROFLO faucet carries a limited lifetime warranty when installed in residential applications. The warranty is five years in commercial applications. This product meets ASME: A112.18.1. *Compliant with lead content requirements of US Senate Bill S.3874*

©2024 Ferguson Enterprises, LLC. FG 09/2024-A



FERGUSON.COM/PROFLO