

PFXC1701 KIGER SINGLE HANDLE KITCHEN FAUCET



Model Numbers

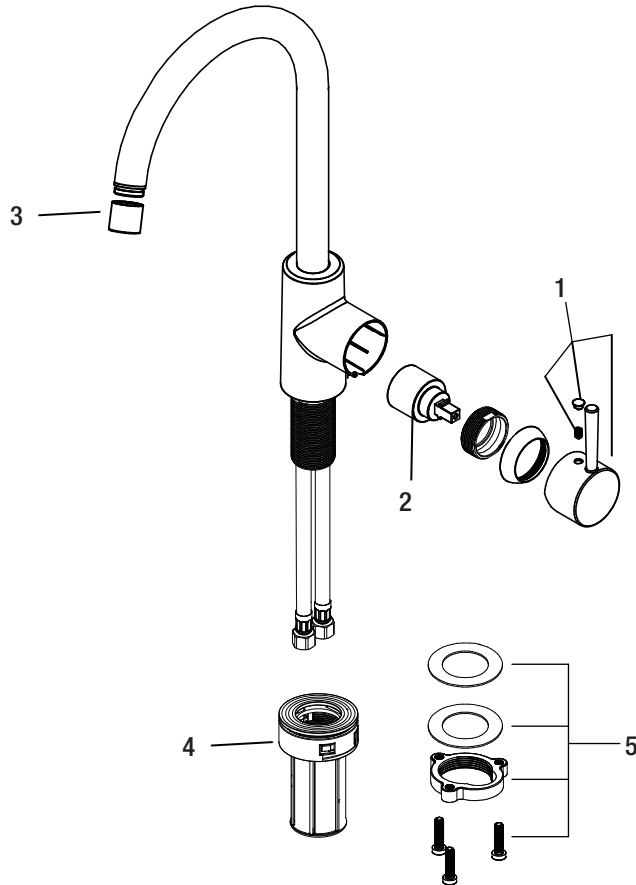
PFXC1701CP	Chrome
PFXC1701ZBN	PVD Brushed nickel
PFXC1701MB	Matte black



PFXC1701CP

No.	Part & Code	Material Type
1	Handle OBPF73369401*	Zinc Alloy
2	Cartridge OBPF23533049	Plastic
3	Aerator OBPF53369403*	Nylon+Brass and etc
4	Quick install nut OBPF120007050073	ABS
5	Mounting hardware OBPF1121010221021	Aluminum+Steel+Rubber

* Specify Finish



Warranty and Codes

This product comes complete with installation, operating, care and maintenance instructions. This PROFLO faucet carries a limited lifetime warranty when installed in residential applications. The warranty is five years in commercial applications. This product meets ASME: A112.18.1. *Compliant with lead content requirements of US Senate Bill S.3874*

