

Specifications

PFXC1701

KIGER SINGLE HANDLE KITCHEN FAUCET



Product Features

- Ceramic disc cartridge
- Metal lever handle
- Single hole installation
- Max. flow rate: 1.8 gpm (6.8L/min) at 60 psi
- Quick-mount system
- Meets A112.18.1
- NSF 61 compliant
- cUPC/IAPMO listed
- Handle ADA compliant

Model Numbers

PFXC1701CP	Chrome
PFXC1701ZBN	PVD Brushed nickel
PFXC1701MB	Matte black

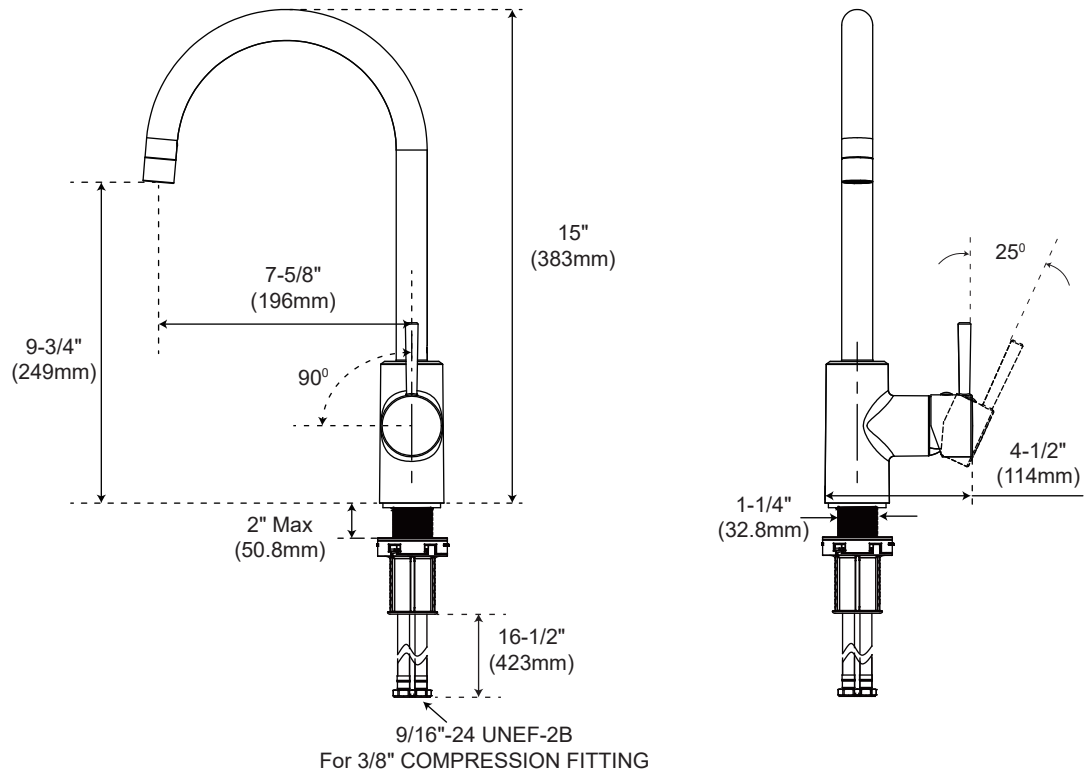


PFXC1701CP

Optional Parts

- OBPF11711DP*** 8" deck plate
OBPF1121010221021 Metal mounting nut

Product Specifications



* All measurements are nominal. Please verify before actual installation.

Warranty and Codes

This product comes complete with installation, operating, care and maintenance instructions. This PROFLO faucet carries a limited lifetime warranty when installed in residential applications. The warranty is five years in commercial applications. This product meets ASME: A112.18.1. Compliant with lead content requirements of US Senate Bill S.3874

