

KIGER

PFXC1701 SINGLE HANDLE KITCHEN FAUCET



Product Features

- Max. flow rate: 1.8 gpm (6.8L/min) at 60 psi
- Metal lever handle
- Ceramic Disc Cartridges
- Single hole installation
- Quick-mount system

Optional Accessories/Available Parts

- OBPF11711DP* 8" deck plate
- OBPF1121010221021 Metal mounting nut

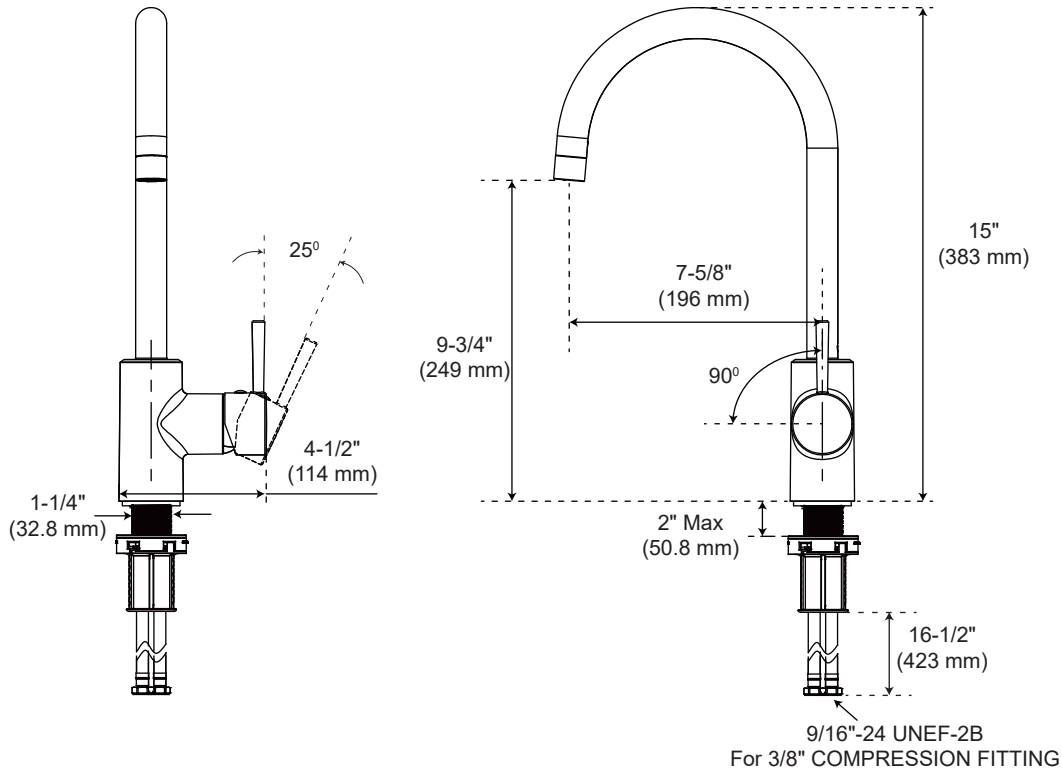
Codes and Certifications



- Certified to ASME A112.18.1 / CSA B125.1
- cUPC/IAPMO listed
- Handle ADA compliant
- NSF/ANSI/CAN61: Q ≤1



PFXC1701



For detailed warranty information, visit ferguson.com/proflo-faucet-warranty.