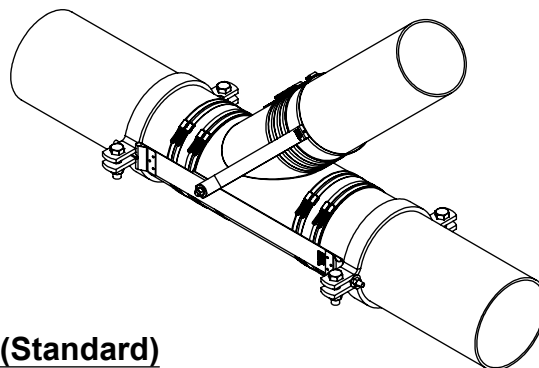
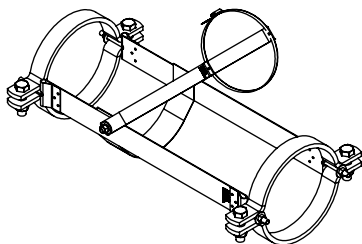


PRODUCT SPECIFICATION DRAWING

HOLDRITE® #117-10X8 (-W or -WG) Series No-Hub Fitting Restraints



#117-10X8W (Standard)
or
#117-10X8WG (Galvanized)

THE HOLDRITE® #117-10X8W or -WG Series No-Hub Fitting Restraints are designed to reinforce no-hub cast iron installations in accordance with the installation instructions of U.S. cast iron soil pipe manufacturers, CISPI Designation 310-11, and the 2006 CISPI Installation Handbook. The #117-W Series retains the Wye onto the adjoining piping. When installed correctly, these restraint brackets achieve a safe thrust pressure rating equal to 50' head water pressure. Pipe clamps must be torqued to 60 ft/lbs and stainless steel band must be torqued to 60 in/lbs. Models ending in “-G” represent “galvanized”.

NOTE:

While these restraint kits aid in compliance with the 2006 CISPI Handbook, they are not intended to suggest that no-hub pipe and fittings should be subjected to pressures in excess of the pipe manufacturers' recommendations.

Product Information:

- Material:
 - Strap: 16GA, CRS, galvanized
 - Clamp: Heavy Duty Black or Galvanized Steel Pipe Clamp
 - Bands: Stainless steel body, band & screw
 - Hardware: Standard (W) or Galvanized (W-G)
- Patent pending
- Thrust force restraint test data available upon request
- Refer to installation instructions at www.holdrite.com

THIS INFORMATION IS PROPRIETARY TO HOLDRITE AND IS SUBJECT TO CHANGE WITHOUT NOTICE. IT MAY NOT BE REPRODUCED IN PART OR WHOLE WITHOUT WRITTEN AUTHORIZATION.



Product Submittal	
Job Name:	
Date:	
Part Number:	Qty:
Architect / Owner:	
Contractor:	
Notes:	