

"Apollo"® PowerPress VSH technology

carbon steel press



catalog

aalberts-ips.us

customer service 704.841.6000

APPFV-CAT-0222



integrated
piping systems

general information

operating parameters.....	4
approvals & certifications.....	4
approved applications.....	5
features & benefits.....	6
new products.....	8
cross reference.....	21

fittings (standard)

90° elbow.....	11
45° elbow.....	11
tees.....	11
couplings.....	12
couplings no stop.....	12
fitting reducers.....	12
adapters.....	13
flanges	13
unions.....	13
caps.....	14

fittings (gas)

90° elbow.....	17
45° elbow.....	17
tees.....	17
couplings.....	18
couplings no stop.....	18
fitting reducers.....	19
adapters.....	19
flanges	20
unions.....	20
caps.....	20

valves

89FVE series (standard).....	10
89FVH series (gas).....	16

Apollo PowerPress® is a carbon steel press system designed to be used with schedule 10 through 40 thick wall steel pipe for sizes ranging from ½" through 2".

all Apollo PowerPress® fittings and valves are zinc-nickel coated to protect against corrosion and come equipped with either an EPDM or HNBR sealing element. in addition to a mechanical leak before press® system, Apollo PowerPress® products feature a patented, color-coded, visual control ring (VCR) that clearly indicates when a connection has been pressed. our innovative visual control ring (VCR) not only provides installers double assurance when identifying un-pressed connections, it also optimally positions the pipe while pressing, significantly reducing pipe deflection for a far straighter and cleaner press connection. when compared to other carbon press systems, Apollo PowerPress® is the undisputed leader in quality and reliability.

operating parameters

Apollo PowerPress® is designed to be used with schedule 10 through 40 thick wall steel pipe (black steel, galvanized steel, and epoxy coated steel) as defined by ASTM A53, A106, A135, A795 standards.

- sealing element: **EPDM**
- max operating pressure: **230 PSI**
- operating temperature: **-40°F to 302°F**
- sealing element: **HNBR**
- operating pressure: **125 PSI**
- operating temperature: **-40°F to 194°F**

features & benefits

- Leak Before Press® - un-pressed fittings will visibly leak during low pressure testing
- visual control ring (VCR)
 - patented
 - tabs that "break-away" when pressed
 - color coded for easy identification of sealing element type
 - acts as a "pipe guide", optimally positioning the inserted pipe, significantly reducing pipe deflection for a clean and straight connection
 - protects sealing element from debris or paint
- increased cup depths - better seat, tighter seal, straighter runs
- color coded protective shipping cap
- protects visual control ring (VCR) and fitting/valve ends during shipping
- first and only carbon steel press ball valve in the market
- no need for adapters - materials & cost savings, shorter laying lengths, reduced likelihood of potential leak paths

approvals & certifications

APPROVALS	NON-GAS		GAS	
	FITTINGS	VALVES	FITTINGS	VALVES
CSA 6.32/ANSI LC 4	-	-	✓	✓
FM 1920	✓	-	-	-
IAPMO PS 117	✓	-	-	-
IAPMO/ANSI Z1157	-	✓	-	-
Canadian Registration No. (CRN)	✓	✓	✓	✓
UL 213	✓	-	-	-

compliant with

- Uniform Plumbing Code (UPC®)
- Uniform Mechanical Code (UMC®)
- National Plumbing Code of Canada
- International Plumbing Code (IPC®)
- International Fuel Gas Code (IFGC®)
- ASME B31
- NFPA 13, 13D & 13R, 54 & 58

warranty



approved tool manufacturers*

- Milwaukee®
- Ridgid®

***PLEASE CONTACT LOCAL POWERPRESS® REPRESENTATIVE FOR ADDITIONAL INFORMATION ON APPROVED TOOL & JAW MANUFACTURERS**

TYPE OF SERVICE	SYSTEM OPERATING CONDITIONS			SEALING ELEMENT	
	COMMENTS	PRESSURE	TEMPERATURE	EPDM	HNBR
FLUIDS/WATER					
Chilled Water	Ethylene Glycol ProPylene Glycol	230 PSI	Down to -40°F	✓	
Hydronic Heating	Ethylene Glycol ProPylene Glycol	230 PSI	0°F - 302°F	✓	
Fire Sprinkler	Compliant with UL and FM for NFPA 13, 13D and 13R	175 PSI	Ambient	✓	
Low Pressure Steam	Low Pressure Steam Supply Lines	Up to 15 PSI	max. 302°F	✓	
OIL AND LUBRICANT					
Heating Fuel Oil		125 PSI	-40°F - 180°F		✓
Diesel Fuel	Compliant with NFPA 30 and 30A	125 PSI			✓
Engine Oil		150 PSI	Ambient		✓
Gear Grease		150 PSI	104°F		✓
Hydraulic Fluid	Mineral Based	230 PSI	Ambient		✓
Transmission Fluid		230 PSI	Ambient		✓
GASES					
Natural Gas, LP Gas and Fuel Oil		125 PSI max.	-40°F - 180°F		✓
Compressed Air	Oil Concentrate < 25mg/m ³	230 PSI	up to 140°F	✓	✓
	Oil Concentrate > 25mg/m ³	230 PSI	up to 140°F		✓
Vacuum		Max. 29.2in Hg	up to 140°F	✓	✓
Nitrogen - N ₂		230 PSI	up to 140°F	✓	✓
Argon - Ar		230 PSI	up to 140°F	✓	✓
Carbon Dioxide - CO ₂		230 PSI	up to 140°F	✓	✓

1. consult the Apollo technical support department for information on applications not listed and applications outside the temperature and pressure ranges listed above.

2. all systems are recommended to be clearly labeled with the fluid or gas being conveyed.

underground installations

when permitted by state and local codes, Apollo PowerPress fittings are approved for use in underground installations. when buried in an area with corrosive soil conditions, the fitting must be protected.

outdoor installations

special attention must be paid to prevent outer corrosion to pipes in an environment that remains damp or humid for longer periods of time. responsibility for taking relevant measures rests with the user/installer. only suitable corrosion protection can offer permanent certainty against corrosion. one way of doing so is to use 'closed cell' insulation, which must be applied in a guaranteed waterproof condition. suitable primers - or metallic paints may offer minimal corrosion protection. it is advisable to always use corrosion protection on the piping in situations where corrosion is likely to occur (damp room, crawl spaces, outdoor installations, etc.).

"Apollo" PowerPress

VSH technology

carbon steel press ball valve

- no need for adapters - labor & materials cost savings, shorter lay lengths, and fewer potential leak paths

protective shipping cap

- easy color identification:
 - yellow - **HNBR/gas**
 - green - **EPDM/standard**
- protects ends during shipping


internal components

- visual control ring (VCR)
- grip-ring
- spacer
- sealing element

markings & identification

- laser etching includes:
 - certifications
 - pressure rating
 - size
 - traceability code
 - country of origin





sealing element protection

- the VCR prevents contamination between the fitting and sealing element
- paint friendly - no need to cover fitting/valve ends when painting Powerpress products

double safety

leak before press®

- unpressed fittings will visibly leak during low pressure testing

visual control rings (VCR)

- VCR rings break-away when joint is properly pressed
- color-coded for material identification

straighter pipe runs

- deeper cup depths and VCR significantly reduce angular deflection
- VCR acts as a “pipe guide”, optimizing pipe positioning for a straight and clean press connection

"Apollo" PowerPress

VSH technology

new products!



New!
size

reducing outlet tee
model 411R (EPDM) - p.11
model 411RG (HNBR) - p.17

New!
size

female outlet tee
model 4712 (EPDM) - p.12
model 4712G (HNBR) - p.18



New!

reducer coupling
model 420 (EPDM) - p.12
model 420G (HNBR) - p.18



New!

female union
model 4734 (EPDM) - p.14
model 4734G (HNBR) - p.20

"Apollo"® PowerPress
VSH technology

standard valves & fittings



integrated
piping systems

89FVE series
standard ball valve



standard materials list

BODY	ASTM A216-WCB carbon steel
SEAT	Reinforced PTFE
BALL	ASTM A276-316 Stainless Steel
STEM PACKING	Multi-Fill PTFE
NUT	Corrosion Resistant Plated Steel
STEM	ASTM A276-316 Stainless Steel
RETAINER	ASTM A108-12L14 carbon steel
SEALING ELEMENT	EPDM (Black)
HANDLE	Plated Steel/Insulated Polyvinyl
GLAND	ASTM A108-1215 carbon steel
STEM BEARING	Reinforced PTFE
BODY SEAL	PTFE

description

the Apollo PowerPress® 89fv ball valve is ideal for installation in chilled water, compressed air, hydronic heating and fire sprinkler applications. this valve design significantly reduces installation time and helps maintain a clean working environment. the Apollo PowerPress® is designed for steel pipe, schedules 10 to 40, as defined by ASTM A53, A106, A135 and A795 standards.

features

- patented visual control ring (green)
- EPDM sealing element
- full-port flow
- adjustable stem packing
- fast, reliable, economical press installation
- Ridgid® & milwaukee press tool compatible
- leak before press® technology
- blowout-proof stem
- corrosion resistant materials
- 100% factory tested
- silicone free assembly
- made in USA, ARRA compliant

options

- (-01) standard (ptfe packing, rptfe body seal)
- (-02) grounded stem
- (-04) 2¼" stem extension
- (-11) therma-seal™ insulating tee handle
- (-14) side vented ball (uni-directional)
- (-24) graphite stem packing
- (-27) SS latch-lock lever and nut
- (-32) SS tee handle and nut
- (-39) SS hi-rise locking wheel handle with SS nut
- (-45) less lever and nut
- (-47) SS latch lock oval handle
- (-48) SS oval handle (no latch)
- (-49) assembled dry
- (-60) grounded ball and stem

performance rating

- maximum operating pressure: 200 PSI
- temperature range: -40°F - 302°F

approved applications

- chilled water
- hydronic heating (50% glycol max)
- low pressure steam, 15 PSI max
- compressed air
- fire sprinkler
- not suitable for flammable gas service

approvals

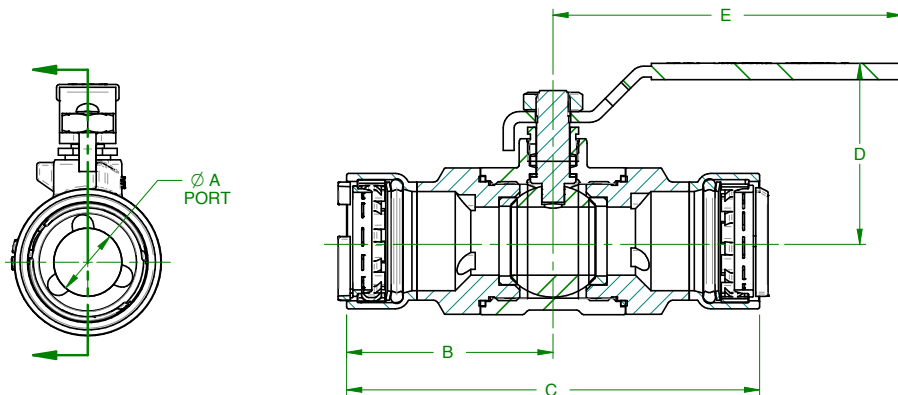
- IAPMO/ANSI - Z1157
- CRN # OC10908 ADD11

compliant with

- uniform plumbing code (UPC)
- international plumbing code (IPC)
- national plumbing code of canada

dimensions

PART NUMBER	SIZE (IN.)	DIMENSIONS (IN.)					WT (LB.)
		A	B	C	D	E	
89FVE4301	½"	0.50	2.08	4.16	1.74	3.85	0.6
89FVE4401	¾"	0.75	2.28	4.55	1.96	3.85	0.9
89FVE4501	1"	1.00	2.72	5.44	2.29	4.76	1.4
89FVE4601	1¼"	1.25	3.41	6.82	3.20	7.76	4.2
89FVE4701	1½"	1.50	3.62	7.24	3.30	7.76	4.8
89FVE4801	2"	2.00	3.93	7.85	3.68	7.76	7.2



elbows



90° elbow

model 407

- green visual control ring
- P x P
- carbon steel
- EPDM sealing element

PART NO.	P1	P2	BAG QTY.
PWR7480121	½	½	10
PWR7480132	¾	¾	10
PWR7480143	1	1	10
PWR7480154	1¼	1¼	1
PWR7480165	1½	1½	1
PWR7480176	2	2	1



90° street elbow

model 407-2

- green visual control ring
- P x FTG
- carbon steel
- EPDM sealing element

PART NO.	P	FTG	BAG QTY.
PWR7480187	½	½	10
PWR7480198	¾	¾	10
PWR7480209	1	1	5
PWR7480211	1¼	1¼	1
PWR7480220	1½	1½	1
PWR7480231	2	2	1



45° elbow

model 406

- green visual control ring
- P x P
- carbon steel
- EPDM sealing element

PART NO.	P1	P2	BAG QTY.
PWR7480242	½	½	10
PWR7480253	¾	¾	10
PWR7480264	1	1	5
PWR7480275	1¼	1¼	1
PWR7480286	1½	1½	1
PWR7480297	2	2	1



45° street elbow

model 406-2

- green visual control ring
- P x FTG
- carbon steel
- EPDM sealing element

PART NO.	P	FTG	BAG QTY.
PWR7480308	½	½	10
PWR7480319	¾	¾	10
PWR7480321	1	1	5
PWR7480330	1¼	1¼	1
PWR7480341	1½	1½	1
PWR7480352	2	2	1

tees



tee

model 411, 411R

- green visual control ring
- P x P x P
- carbon steel
- EPDM sealing element

PART NO.	P1	P2	P3	BAG QTY.
PWR7480363	½	½	½	5
PWR7480374	¾	¾	¾	5
PWR7480385	1	1	1	5
PWR7480396	1¼	1¼	1¼	1
PWR7480407	1½	1½	1½	1
PWR7480418	2	2	2	1

reducing

PART NO.	P1	P2	P3	BAG QTY.
PWR7480429	¾	¾	½	5
PWR7480431	1	1	½	5
PWR7480440	1	1	¾	5
PWR7483003	1¼	1¼	½	1
PWR7483014	1¼	1¼	¾	1
PWR7480451	1¼	1¼	1	1
PWR7480462	1½	1½	½	1
PWR7480473	1½	1½	¾	1
PWR7480484	1½	1½	1	1
PWR7480495	1½	1½	1¼	1
PWR7480506	2	2	½	1
PWR7480517	2	2	¾	1
PWR7480528	2	2	1	1
PWR7480539	2	2	1¼	1
PWR7480541	2	2	1½	1



New!
size

tee | female

model 4712

- green visual control ring
- P x P x FPT
- carbon steel
- EPDM sealing element

PART NO.	P1	P2	FPT	BAG QTY.
PWR7480550	3/4	3/4	1/2	5
PWR7480561	3/4	3/4	3/4	5
PWR7480572	1	1	1/2	5
PWR7480583	1	1	3/4	5
PWR7480594	1 1/4	1 1/4	1/2	1
PWR7483102	1 1/4	1 1/4	3/4	1
PWR7483113	1 1/4	1 1/4	1	1
PWR7480605	1 1/2	1 1/2	1/2	1
PWR7480616	1 1/2	1 1/2	3/4	1
PWR7480627	1 1/2	1 1/2	1	1
PWR7480638	1 1/2	1 1/2	1 1/4	1
PWR7480649	2	2	1/2	1
PWR7480651	2	2	3/4	1
PWR7480660	2	2	1	1
PWR7480671	2	2	1 1/4	1
PWR7480682	2	2	1 1/2	

couplings



coupling

model 400

- green visual control ring
- P x P
- carbon steel
- EPDM sealing element

PART NO.	P1	P2	BAG QTY.
PWR7480000	1/2	1/2	10
PWR7480011	3/4	3/4	10
PWR7480022	1	1	5
PWR7480033	1 1/4	1 1/4	1
PWR7480044	1 1/2	1 1/2	1
PWR7480055	2	2	1



coupling | no stop

model 401

- green visual control ring
- P x P
- carbon steel
- EPDM sealing element

PART NO.	P1	P2	BAG QTY.
PWR7480066	1/2	1/2	10
PWR7480077	3/4	3/4	10
PWR7480088	1	1	5
PWR7480099	1 1/4	1 1/4	1
PWR7480101	1 1/2	1 1/2	1
PWR7480110	2	2	1



New!

coupling | reducing

model 420

- green visual control ring
- P x P
- carbon steel
- EPDM sealing element

PART NO.	P1	P2	BAG QTY.
PWR7483025	3/4	1/2	5
PWR7483036	1	1/2	5
PWR7483047	1	3/4	1
PWR7483058	1 1/4	3/4	1
PWR7483069	1 1/4	1	1
PWR7483071	1 1/2	1 1/4	1
PWR7483080	2	1 1/4	1
PWR7483091	2	1 1/2	1

fitting reducers



fitting reducer

model 418

- green visual control ring
- FTG x P
- carbon steel
- EPDM sealing element

PART NO.	FTG	P	BAG QTY.
PWR7480693	3/4	1/2	5
PWR7480704	1	1/2	5
PWR7480715	1	3/4	5
PWR7480748	1 1/4	1	1
PWR7480761	1 1/2	3/4	1
PWR7480770	1 1/2	1	1
PWR7480781	1 1/2	1 1/4	1
PWR7480814	2	1	1
PWR7480825	2	1 1/4	1
PWR7480836	2	1 1/2	1

adapters



adapter | female

model 403, 403R

- green visual control ring
- P x FPT
- carbon steel
- EPDM sealing element

PART NO.	P	FPT	BAG QTY.
PWR7480902	½	½	10
PWR7480924	¾	¾	10
PWR7480957	1	1	5
PWR7480990	1¼	1¼	5
PWR7481045	1½	1½	1
PWR7481100	2	2	1

reducing

PART NO.	P	FPT	BAG QTY.
PWR7480913	¾	½	10
PWR7480935	1	½	10
PWR7480946	1	¾	5
PWR7480968	1¼	½	1
PWR7480979	1¼	¾	1
PWR7480981	1¼	1	1
PWR7481001	1½	½	1
PWR7481012	1½	¾	1
PWR7481023	1½	1	1
PWR7481034	1½	1¼	1
PWR7481056	2	½	1
PWR7481067	2	¾	1
PWR7481078	2	1	1
PWR7481089	2	1¼	1
PWR7481091	2	1½	1



adapter | male

model 404

- green visual control ring
- P x MPT
- carbon steel
- EPDM sealing element

PART NO.	P	MPT	BAG QTY.
PWR7480847	½	½	10
PWR7480858	¾	¾	10
PWR7480869	1	1	5
PWR7480871	1¼	1¼	5
PWR7480880	1½	1½	1
PWR7480891	2	2	1

flanges



flange adapter | ANSI class 150

model 4771

- green visual control ring
- P x FLANGE (BP:4)
- carbon steel
- EPDM sealing element

PART NO.	P	FLG	BAG QTY.
PWR7481177	½	½	1
PWR7481188	¾	¾	1
PWR7481199	1	1	1
PWR7481201	1¼	1¼	1
PWR7481210	1½	1½	1
PWR7481221	2	2	1

unions



union

model 4733

- green visual control ring
- P x P
- carbon steel
- EPDM sealing element

PART NO.	P1	P2	BAG QTY.
PWR7481111	½	½	5
PWR7481122	¾	¾	5
PWR7481133	1	1	5
PWR7481144	1¼	1¼	1
PWR7481155	1½	1½	1
PWR7481166	2	2	1



New!

union | female

model 4734

- green visual control ring
- P x FPT
- carbon steel
- EPDM sealing element

PART NO.	P1	FPT	BAG QTY.
PWR7483245	1/2	1/2	5
PWR7483256	3/4	3/4	5
PWR7483267	1	1	5
PWR7483278	1 1/4	1 1/4	1
PWR7483289	1 1/2	1 1/2	1
PWR7483291	2	2	1

caps



tube cap

model 417

- green visual control ring
- P x Cap
- carbon steel
- EPDM sealing element

PART NO.	P	BAG QTY.
PWR7481232	1/2	10
PWR7481243	3/4	10
PWR7481254	1	5
PWR7481265	1 1/4	1
PWR7481276	1 1/2	1
PWR7481287	2	1

"Apollo"[®] PowerPress
VSH technology

gas valves & fittings



integrated
piping systems

89FVH series
gas ball valve



standard materials

BODY	ASTM A216-WCB carbon steel
SEAT	Reinforced PTFE
BALL	ASTM A276-316 Stainless Steel
STEM PACKING	Multi-Fill PTFE
NUT	Corrosion Resistant Plated Steel
STEM	ASTM A276-316 Stainless Steel
RETAINER	ASTM A108-12L14 carbon steel
SEALING ELEMENT	HNBR (Yellow)
HANDLE	Plated Steel/Insulated Polyvinyl
GLAND	ASTM A108-1215 carbon steel
STEM BEARING	Reinforced PTFE
BODY SEAL	PTFE

description

the Apollo PowerPress® 89FV gas ball valve is ideal for installation in compressed air and fuel gas applications. this valve design significantly reduces installation time and helps maintain a clean working environment. the Apollo PowerPress® is designed for steel pipe, schedules 10 to 40, as defined by ASTM A53, A106, A135 and A795 standards.

features

- patented visual control ring (yellow)
- HNBR sealing element
- full-port flow
- adjustable stem packing
- fast, reliable, economical press installation
- Ridgid® & Milwaukee press tool compatible
- leak before press® technology
- blowout-proof stem
- corrosion resistant materials
- 100% factory tested
- silicone free assembly
- made in USA, ARRA compliant

approved applications

- compressed air
- fuel gas

options

- (-01) standard (PTFE packing, RPTFE body seal)
- (-02) grounded stem
- (-04) 2¼" stem extension
- (-11) Thermo-Seal™ insulating tee handle
- (-14) side vented ball (uni-directional)
- (-24) graphite stem packing
- (-27) ss latch-lock lever and nut
- (-32) ss tee handle and nut
- (-39) ss hi-rise locking wheel handle with ss nut
- (-45) less lever and nut
- (-47) SS latch lock oval handle
- (-48) SS oval handle (no latch)
- (-49) assembled dry
- (-60) grounded ball and stem

performance rating

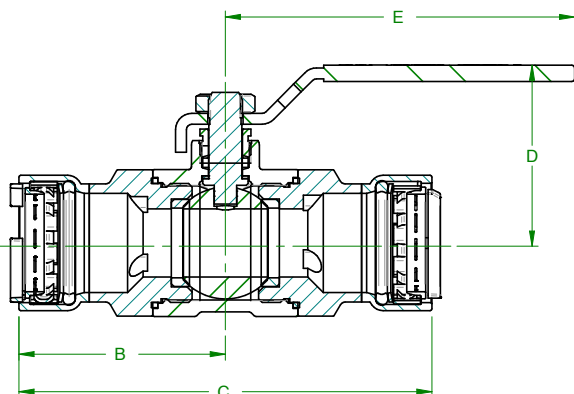
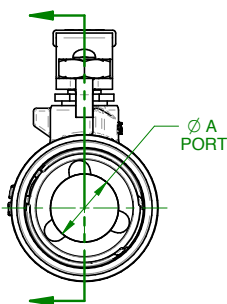
- maximum operating pressure:
125 PSI max for fuel gas applications
200 PSI max for other approved applications
- temperature range: -40°F - 194°F

approvals

- ANSI LC4/CSA 6.32
- IAPMO LC 4
- CRN # 0C10908 ADD11

compliant with

- uniform plumbing code (UPC)
- international plumbing code (IPC)
- international fuel gas code (IFGC)
- national plumbing code of canada



dimensions (in)

PART NUMBER	SIZE (IN.)	DIMENSIONS (IN.)					WT (LB.)
		A	B	C	D	E	
89FVH4301	½"	0.50	2.08	4.16	1.74	3.85	0.6
89FVH4401	¾"	0.75	2.28	4.55	1.96	3.85	0.9
89FVH4501	1"	1.00	2.72	5.44	2.29	4.76	1.4
89FVH4601	1¼"	1.25	3.41	6.82	3.20	7.76	4.2
89FVH4701	1½"	1.50	3.62	7.24	3.30	7.76	4.8
89FVH4801	2"	2.00	3.93	7.85	3.68	7.76	7.2
89FVH4324	½"	0.50	2.08	4.16	1.74	3.85	0.6
89FVH4424	¾"	0.75	2.28	4.55	1.96	3.85	0.9
89FVH4524	1"	1.00	2.72	5.44	2.29	4.76	1.4
89FVH4624	1¼"	1.25	3.41	6.82	3.20	7.76	4.2
89FVH4724	1½"	1.50	3.62	7.24	3.30	7.76	4.8
89FVH4824	2"	2.00	3.93	7.85	3.68	7.76	7.2

elbows (gas)



90° elbow

MODEL 407G

- yellow visual control ring
- P x P
- carbon steel
- HNBR sealing element

PART NO.	P1	P2	BAG QTY.
PWR7481419	½	½	10
PWR7481421	¾	¾	10
PWR7481430	1	1	10
PWR7481441	1¼	1¼	1
PWR7481452	1½	1½	1
PWR7481463	2	2	1



90° street elbow

model 407-2G

- yellow visual control ring
- P x FTG
- carbon steel
- HNBR sealing element

PART NO.	P	FTG	BAG QTY.
PWR7481474	½	½	10
PWR7481485	¾	¾	10
PWR7481496	1	1	5
PWR7481507	1¼	1¼	1
PWR7481518	1½	1½	1
PWR7481529	2	2	1



45° elbow

model 406G

- yellow visual control ring
- P x P
- carbon steel
- HNBR sealing element

PART NO.	P1	P2	BAG QTY.
PWR7481531	½	½	10
PWR7481540	¾	¾	10
PWR7481551	1	1	5
PWR7481562	1¼	1¼	1
PWR7481573	1½	1½	1
PWR7481584	2	2	1



45° street elbow

model 406-2G

- yellow visual control ring
- P x FTG
- carbon steel
- HNBR sealing element

PART NO.	P	FTG	BAG QTY.
PWR7481595	½	½	10
PWR7481606	¾	¾	10
PWR7481617	1	1	5
PWR7481628	1¼	1¼	1
PWR7481639	1½	1½	1
PWR7481641	2	2	1

tees (gas)



tee

model 411G, 411RG

- yellow visual control ring
- P x P x P
- carbon steel
- HNBR sealing element

PART NO.	P1	P2	P3	BAG QTY.
PWR7481650	½	½	½	5
PWR7481661	¾	¾	¾	5
PWR7481672	1	1	1	5
PWR7481683	1¼	1¼	1¼	1
PWR7481694	1½	1½	1½	1
PWR7481705	2	2	2	1

reducing

PART NO.	P1	P2	P3	BAG QTY.
PWR7481716	¾	¾	½	5
PWR7481727	1	1	½	5
PWR7481738	1	1	¾	5
PWR7483124	1¼	1¼	½	1
PWR7483135	1¼	1¼	¾	1
PWR7481749	1¼	1¼	1	1
PWR7481751	1½	1½	½	1
PWR7481760	1½	1½	¾	1
PWR7481771	1½	1½	1	1
PWR7481782	1½	1½	1¼	1
PWR7481793	2	2	½	1
PWR7481804	2	2	¾	1
PWR7481815	2	2	1	1
PWR7481826	2	2	1¼	1
PWR7481837	2	2	1½	1



New!
size

tee | female

model 4712G

- yellow visual control ring
- P x P x FPT
- carbon steel
- HNBR sealing element

PART NO.	P1	P2	FPT	BAG QTY.
PWR7481848	3/4	3/4	1/2	5
PWR7481859	3/4	3/4	3/4	5
PWR7481861	1	1	1/2	5
PWR7481870	1	1	3/4	5
PWR7481881	1 1/4	1 1/4	1/2	1
PWR7483146	1 1/4	1 1/4	3/4	1
PWR7483157	1 1/4	1 1/4	1	1
PWR7481892	1 1/2	1 1/2	1/2	1
PWR7481903	1 1/2	1 1/2	3/4	1
PWR7481914	1 1/2	1 1/2	1	1
PWR7481925	1 1/2	1 1/2	1 1/4	1
PWR7481936	2	2	1/2	1
PWR7481947	2	2	3/4	1
PWR7481958	2	2	1	1
PWR7481969	2	2	1 1/4	1
PWR7481971	2	2	1 1/2	1

couplings (gas)



coupling

model 400G

- yellow visual control ring
- P x P
- carbon steel
- HNBR sealing element

PART NO.	P1	P2	BAG QTY.
PWR7481298	1/2	1/2	10
PWR7481309	3/4	3/4	10
PWR7481311	1	1	5
PWR7481320	1 1/4	1 1/4	1
PWR7481331	1 1/2	1 1/2	1
PWR7481342	2	2	1



coupling | no stop

model 401G

- yellow visual control ring
- P x P
- carbon steel
- HNBR sealing element

PART NO.	P1	P2	BAG QTY.
PWR7481353	1/2	1/2	10
PWR7481364	3/4	3/4	10
PWR7481375	1	1	5
PWR7481386	1 1/4	1 1/4	1
PWR7481397	1 1/2	1 1/2	1
PWR7481408	2	2	1



New!

coupling | reducing

model 420G

- yellow visual control ring
- P x P
- carbon steel
- HNBR sealing element

PART NO.	P1	P2	BAG QTY.
PWR7483168	3/4	1/2	5
PWR7483179	1	1/2	5
PWR7483181	1	3/4	1
PWR7483190	1 1/4	3/4	1
PWR7483201	1 1/4	1	1
PWR7483212	1 1/2	1 1/4	1
PWR7483223	2	1 1/4	1
PWR7483234	2	1 1/2	1

fitting reducer (gas)



fitting reducer

model 418G

- yellow visual control ring
- FTG x P
- carbon steel
- HNBR sealing element

PART NO.	FTG	P	BAG QTY.
PWR7481980	¾	½	5
PWR7481991	1	½	5
PWR7482002	1	¾	5
PWR7482013	1¼	1	1
PWR7482024	1½	¾	1
PWR7482035	1½	1	1
PWR7482046	1½	1¼	1
PWR7482057	2	1	1
PWR7482068	2	1¼	1
PWR7482079	2	1½	1

adapters (gas)



adapter | female

model 403G, 403RG

- yellow visual control ring
- P x FPT
- carbon steel
- HNBR sealing element

PART NO.	P	FPT	BAG QTY.
PWR7482145	½	½	10
PWR7482167	¾	¾	10
PWR7482191	1	1	5
PWR7482233	1¼	1¼	5
PWR7482288	1½	1½	1
PWR7482343	2	2	1

REDUCING

PART NO.	P	FPT	BAG QTY.
PWR7482156	¾	½	10
PWR7482178	1	½	10
PWR7482189	1	¾	5
PWR7482200	1¼	½	1
PWR7482211	1¼	¾	1
PWR7482222	1¼	1	1
PWR7482244	1½	½	1
PWR7482255	1½	¾	1
PWR7482266	1½	1	1
PWR7482277	1½	1¼	1
PWR7482299	2	½	1
PWR7482301	2	¾	1
PWR7482310	2	1	1
PWR7482321	2	1¼	1
PWR7482332	2	1½	1



adapter | male

model 404G

- yellow visual control ring
- P x MPT
- carbon steel
- HNBR sealing element

PART NO.	P	MPT	BAG QTY.
PWR7482081	½	½	10
PWR7482090	¾	¾	10
PWR7482101	1	1	5
PWR7482112	1¼	1¼	5
PWR7482123	1½	1½	1
PWR7482134	2	2	1

flanges (gas)



flange adapter | ANSI class 150

model 4771G

- yellow visual control ring
- P x Flange (BP:4)
- carbon steel
- HNBR sealing element

PART NO.	P	FLG	BAG QTY.
PWR7482411	1/2	1/2	1
PWR7482420	3/4	3/4	1
PWR7482431	1	1	1
PWR7482442	1 1/4	1 1/4	1
PWR7482453	1 1/2	1 1/2	1
PWR7482464	2	2	1

unions (gas)



union

model 4733G

- yellow visual control ring
- P x P
- carbon steel
- HNBR sealing element

PART NO.	P1	P2	BAG QTY.
PWR7482354	1/2	1/2	5
PWR7482365	3/4	3/4	5
PWR7482376	1	1	5
PWR7482387	1 1/4	1 1/4	1
PWR7482398	1 1/2	1 1/2	1
PWR7482409	2	2	1



New!

union | female

model 4734G

- yellow visual control ring
- P x FPT
- carbon steel
- HNBR sealing element

PART NO.	P1	FPT	BAG QTY.
PWR7483300	1/2	1/2	5
PWR7483311	3/4	3/4	5
PWR7483322	1	1	5
PWR7483333	1 1/4	1 1/4	1
PWR7483344	1 1/2	1 1/2	1
PWR7483355	2	2	1

caps (gas)



tube cap

model 417G

- yellow visual control ring
- P x Cap
- carbon steel
- HNBR sealing element

PART NO.	P	BAG QTY.
PWR7482475	1/2	10
PWR7482486	3/4	10
PWR7482497	1	5
PWR7482508	1 1/4	1
PWR7482519	1 1/2	1
PWR7482521	2	1

90° elbow

P x P

DESCRIPTION	APOLLO POWERPRESS	VIEGA MEGAPRESS
90° Elbow, EPDM, 407, P x P, ½	PWR7480121	25200
90° Elbow, EPDM, 407, P x P, ¾	PWR7480132	25205
90° Elbow, EPDM, 407, P x P, 1	PWR7480143	25210
90° Elbow, EPDM, 407, P x P, 1¼	PWR7480154	25215
90° Elbow, EPDM, 407, P x P, 1½	PWR7480165	25220
90° Elbow, EPDM, 407, P x P, 2	PWR7480176	25225

P x FTG

DESCRIPTION	APOLLO POWERPRESS	VIEGA MEGAPRESS
90° Street Elbow, EPDM, 407-2, P x FTG, ½	PWR7480187	26050
90° Street Elbow, EPDM, 407-2, P x FTG, ¾	PWR7480198	26055
90° Street Elbow, EPDM, 407-2, P x FTG, 1	PWR7480209	26060
90° Street Elbow, EPDM, 407-2, P x FTG, 1¼	PWR7480211	26065
90° Street Elbow, EPDM, 407-2, P x FTG, 1½	PWR7480220	26070
90° Street Elbow, EPDM, 407-2, P x FTG, 2	PWR7480231	26075

45° elbow

P x P

DESCRIPTION	APOLLO POWERPRESS	VIEGA MEGAPRESS
45° Elbow, EPDM, 406, P x P, ½	PWR7480242	25230
45° Elbow, EPDM, 406, P x P, ¾	PWR7480253	25235
45° Elbow, EPDM, 406, P x P, 1	PWR7480264	25240
45° Elbow, EPDM, 406, P x P, 1¼	PWR7480275	25245
45° Elbow, EPDM, 406, P x P, 1½	PWR7480286	25250
45° Elbow, EPDM, 406, P x P, 2	PWR7480297	25255

P x FTG

DESCRIPTION	APOLLO POWERPRESS	VIEGA MEGAPRESS
45° Street Elbow, EPDM, 406-2, P x FTG, ½	PWR7480308	26100
45° Street Elbow, EPDM, 406-2, P x FTG, ¾	PWR7480319	26105
45° Street Elbow, EPDM, 406-2, P x FTG, 1	PWR7480321	26110
45° Street Elbow, EPDM, 406-2, P x FTG, 1¼	PWR7480330	26115
45° Street Elbow, EPDM, 406-2, P x FTG, 1½	PWR7480341	26120
45° Street Elbow, EPDM, 406-2, P x FTG, 2	PWR7480352	26125

tees

P x P x P

DESCRIPTION	APOLLO POWERPRESS	VIEGA MEGAPRESS
Tee, EPDM, 411, P x P x P, 1/2	PWR7480363	25300
Tee - Reducing Outlet, EPDM, 411R, P x P x P, 3/4 x 3/4 x 1/2	PWR7480429	25330
Tee, EPDM, 411, P x P x P, 3/4	PWR7480374	25305
Tee - Reducing Outlet, EPDM, 411R, P x P x P, 1 x 1 x 1/2	PWR7480431	25335
Tee - Reducing Outlet, EPDM, 411R, P x P x P, 1 x 1 x 3/4	PWR7480440	25340
Tee, EPDM, 411, P x P x P, 1	PWR7480385	25310
Tee - Reducing Outlet, EPDM, 411R, P x P x P, 1 1/4 x 1 1/4 x 1/2	PWR7483003	25510
Tee - Reducing Outlet, EPDM, 411R, P x P x P, 1 1/4 x 1 1/4 x 3/4	PWR7483014	25515
Tee - Reducing Outlet, EPDM, 411R, P x P x P, 1 1/4 x 1 1/4 x 1	PWR7480451	25350
Tee, EPDM, 411, P x P x P, 1 1/4	PWR7480396	25315
Tee - Reducing Outlet, EPDM, 411R, P x P x P, 1 1/2 x 1 1/2 x 1/2	PWR7480462	25360
Tee - Reducing Outlet, EPDM, 411R, P x P x P, 1 1/2 x 1 1/2 x 3/4	PWR7480473	25365
Tee - Reducing Outlet, EPDM, 411R, P x P x P, 1 1/2 x 1 1/2 x 1	PWR7480484	25370
Tee - Reducing Outlet, EPDM, 411R, P x P x P, 1 1/2 x 1 1/2 x 1 1/4	PWR7480495	25375
Tee, EPDM, 411, P x P x P, 1 1/2	PWR7480407	25320
Tee - Reducing Outlet, EPDM, 411R, P x P x P, 2 x 2 x 1/2	PWR7480506	25380
Tee - Reducing Outlet, EPDM, 411R, P x P x P, 2 x 2 x 3/4	PWR7480517	25385
Tee - Reducing Outlet, EPDM, 411R, P x P x P, 2 x 2 x 1	PWR7480528	25390
Tee - Reducing Outlet, EPDM, 411R, P x P x P, 2 x 2 x 1 1/4	PWR7480539	25395
Tee - Reducing Outlet, EPDM, 411R, P x P x P, 2 x 2 x 1 1/2	PWR7480541	25400
Tee, EPDM, 411, P x P x P, 2	PWR7480418	25325

P x P x FPT

DESCRIPTION	APOLLO POWERPRESS	VIEGA MEGAPRESS
Tee - Female Outlet, EPDM, 4712, P x P x FPT, 3/4 x 3/4 x 1/2	PWR7480550	25405
Tee - Female Outlet, EPDM, 4712, P x P x FPT, 3/4 x 3/4 x 3/4	PWR7480561	25480
Tee - Female Outlet, EPDM, 4712, P x P x FPT, 1 x 1 x 1/2	PWR7480572	25410
Tee - Female Outlet, EPDM, 4712, P x P x FPT, 1 x 1 x 3/4	PWR7480583	25415
Tee - Female Outlet, EPDM, 4712, P x P x FPT, 1 1/4 x 1 1/4 x 1/2	PWR7480594	25485
Tee - Female Outlet, Gas, HNBR, 4712G, P x P x FPT, 1 1/4 x 1 1/4 x 3/4	PWR7483102	25506
Tee - Female Outlet, Gas, HNBR, 4712G, P x P x FPT, 1 1/4 x 1 1/4 x 1	PWR7483113	25501
Tee - Female Outlet, EPDM, 4712, P x P x FPT, 1 1/2 x 1 1/2 x 1/2	PWR7480605	25435
Tee - Female Outlet, EPDM, 4712, P x P x FPT, 1 1/2 x 1 1/2 x 3/4	PWR7480616	25440
Tee - Female Outlet, EPDM, 4712, P x P x FPT, 1 1/2 x 1 1/2 x 1	PWR7480627	25445
Tee - Female Outlet, EPDM, 4712, P x P x FPT, 1 1/2 x 1 1/2 x 1 1/4	PWR7480638	25450
Tee - Female Outlet, EPDM, 4712, P x P x FPT, 2 x 2 x 1/2	PWR7480649	25455
Tee - Female Outlet, EPDM, 4712, P x P x FPT, 2 x 2 x 3/4	PWR7480651	25460
Tee - Female Outlet, EPDM, 4712, P x P x FPT, 2 x 2 x 1	PWR7480660	25465
Tee - Female Outlet, EPDM, 4712, P x P x FPT, 2 x 2 x 1 1/4	PWR7480671	25470
Tee - Female Outlet, EPDM, 4712, P x P x FPT, 2 x 2 x 1 1/2	PWR7480682	25475

coupling

P x P

DESCRIPTION	APOLLO POWERPRESS	VIEGA MEGAPRESS
Coupling with Stop, EPDM, 400, P x P, ½	PWR7480000	25000
Coupling with Stop, EPDM, 400, P x P, ¾	PWR7480011	22005
Coupling with Stop, EPDM, 400, P x P, 1	PWR7480022	25010
Coupling with Stop, EPDM, 400, P x P, 1¼	PWR7480033	25015
Coupling with Stop, EPDM, 400, P x P, 1½	PWR7480044	25020
Coupling with Stop, EPDM, 400, P x P, 2	PWR7480055	25025

coupling | no stop

P x P

DESCRIPTION	APOLLO POWERPRESS	VIEGA MEGAPRESS
Coupling No Stop, EPDM, 401, P x P, ½	PWR7480066	25030
Reducer Coupling, EPDM, 401R, P x P, ¾x½	PWR7483025	25930
Coupling No Stop, EPDM, 401, P x P, ¾	PWR7480077	25035
Reducer Coupling, EPDM, 401R, P x P, 1x½	PWR7483036	25935
Reducer Coupling, EPDM, 401R, P x P, 1x¾	PWR7483047	25940
Coupling No Stop, EPDM, 401, P x P, 1	PWR7480088	25040
Reducer Coupling, EPDM, 401R, P x P, 1¼x¾	PWR7483058	25945
Reducer Coupling, EPDM, 401R, P x P, 1¼x1	PWR7483069	25950
Coupling No Stop, EPDM, 401, P x P, 1¼	PWR7480099	25045
Reducer Coupling, EPDM, 401R, P x P, 1½x1¼	PWR7483071	25955
Coupling No Stop, EPDM, 401, P x P, 1½	PWR7480101	25050
Reducer Coupling, EPDM, 401R, P x P, 2x1¼	PWR7483080	25960
Reducer Coupling, EPDM, 401R, P x P, 2x1½	PWR7483091	25965
Coupling No Stop, EPDM, 401, P x P, 2	PWR7480110	25055

fitting reducer

FTG x P

DESCRIPTION	APOLLO POWERPRESS	VIEGA MEGAPRESS
Fitting Reducer, EPDM, 418, FTGxP, ¾x½	PWR7480693	26000
Fitting Reducer, EPDM, 418, FTGxP, 1x½	PWR7480704	26005
Fitting Reducer, EPDM, 418, FTGxP, 1x¾	PWR7480715	26010
Fitting Reducer, EPDM, 418, FTGxP, 1¼x1	PWR7480748	26015
Fitting Reducer, EPDM, 418, FTGxP, 1½x¾	PWR7480761	26020
Fitting Reducer, EPDM, 418, FTGxP, 1½x1	PWR7480770	26025
Fitting Reducer, EPDM, 418, FTGxP, 1½x1¼	PWR7480781	26030
Fitting Reducer, EPDM, 418, FTGxP, 2x1	PWR7480814	26035
Fitting Reducer, EPDM, 418, FTGxP, 2x1¼	PWR7480825	26040
Fitting Reducer, EPDM, 418, FTGxP, 2x1½	PWR7480836	26045

adapter

P x FPT

DESCRIPTION	APOLLO POWERPRESS	VIEGA MEGAPRESS
Female Thread Adapter, EPDM, 403, PxFPT, ½x½	PWR7480902	25130
Female Thread Adapter, EPDM, 403, PxFPT, ¾x½	PWR7480913	25575
Female Thread Adapter, EPDM, 403, PxFPT, ¾x¾	PWR7480924	25135
Female Thread Adapter, EPDM, 403, PxFPT, 1x½	PWR7480935	25580
Female Thread Adapter, EPDM, 403, PxFPT, 1x¾	PWR7480946	25585
Female Thread Adapter, EPDM, 403, PxFPT, 1x1	PWR7480957	25140
Female Thread Adapter, EPDM, 403, PxFPT, 1¼x½	PWR7480968	25590
Female Thread Adapter, EPDM, 403, PxFPT, 1¼x¾	PWR7480979	25595
Female Thread Adapter, EPDM, 403, PxFPT, 1¼x1	PWR7480981	25600
Female Thread Adapter, EPDM, 403, PxFPT, 1¼x1¼	PWR7480990	25145
Female Thread Adapter, EPDM, 403, PxFPT, 1½x½	PWR7481001	25605
Female Thread Adapter, EPDM, 403, PxFPT, 1½x¾	PWR7481012	25610
Female Thread Adapter, EPDM, 403, PxFPT, 1½x1	PWR7481023	25615
Female Thread Adapter, EPDM, 403, PxFPT, 1½x1¼	PWR7481034	25620
Female Thread Adapter, EPDM, 403, PxFPT, 1½x1½	PWR7481045	25150
Female Thread Adapter, EPDM, 403, PxFPT, 2x½	PWR7481056	25625
Female Thread Adapter, EPDM, 403, PxFPT, 2x¾	PWR7481067	25630
Female Thread Adapter, EPDM, 403, PxFPT, 2x1	PWR7481078	25635
Female Thread Adapter, EPDM, 403, PxFPT, 2x1¼	PWR7481089	25640
Female Thread Adapter, EPDM, 403, PxFPT, 2x1½	PWR7481091	25645
Female Thread Adapter, EPDM, 403, PxFPT, 2x2	PWR7481100	25155

P x MPT

DESCRIPTION	APOLLO POWERPRESS	VIEGA MEGAPRESS
Male Thread Adapter, EPDM, 404, PxMPT, ½x½	PWR7480847	25100
Male Thread Adapter, EPDM, 404, PxMPT, ¾x¾	PWR7480858	25105
Male Thread Adapter, EPDM, 404, PxMPT, 1x1	PWR7480869	25110
Male Thread Adapter, EPDM, 404, PxMPT, 1¼x1¼	PWR7480871	25115
Male Thread Adapter, EPDM, 404, PxMPT, 1½x1½	PWR7480880	25120
Male Thread Adapter, EPDM, 404, PxMPT, 2x2	PWR7480891	25125

flange adapter | ANSI class 150

P x FLANGE

DESCRIPTION	APOLLO POWERPRESS	VIEGA MEGAPRESS
Flange Adapter Class 150, EPDM, 4771, PxFLG, ½	PWR7481177	25760
Flange Adapter Class 150, EPDM, 4771, PxFLG, ¾	PWR7481188	25765
Flange Adapter Class 150, EPDM, 4771, PxFLG, 1	PWR7481199	25770
Flange Adapter Class 150, EPDM, 4771, PxFLG, 1¼	PWR7481201	25775
Flange Adapter Class 150, EPDM, 4771, PxFLG, 1½	PWR7481210	25780
Flange Adapter Class 150, EPDM, 4771, PxFLG, 2	PWR7481221	25785

unions

P x P

DESCRIPTION	APOLLO POWERPRESS	VIEGA MEGAPRESS
Union, EPDM, 4733, PxP, ½	PWR7481111	25700
Union, EPDM, 4733, PxP, ¾	PWR7481122	25705
Union, EPDM, 4733, PxP, 1	PWR7481133	25710
Union, EPDM, 4733, PxP, 1¼	PWR7481144	25715
Union, EPDM, 4733, PxP, 1½	PWR7481155	25720
Union, EPDM, 4733, PxP, 2	PWR7481166	25725

P x FPT

DESCRIPTION	APOLLO POWERPRESS	VIEGA MEGAPRESS
Female Union, EPDM, 4733, PxFPT, ½	PWR7483245	25650
Female Union, EPDM, 4733, PxFPT, ¾	PWR7483256	25655
Female Union, EPDM, 4733, PxFPT, 1	PWR7483267	25660
Female Union, EPDM, 4733, PxFPT, 1¼	PWR7483278	25665
Female Union, EPDM, 4733, PxFPT, 1½	PWR7483289	25670
Female Union, EPDM, 4733, PxFPT, 2	PWR7483291	25675

caps

TUBE CAP

DESCRIPTION	APOLLO POWERPRESS	VIEGA MEGAPRESS
Cap, EPDM, 417, PxCAP, ½	PWR7481232	25730
Cap, EPDM, 417, PxCAP, ¾	PWR7481243	25735
Cap, EPDM, 417, PxCAP, 1	PWR7481254	25740
Cap, EPDM, 417, PxCAP, 1¼	PWR7481265	25745
Cap, EPDM, 417, PxCAP, 1½	PWR7481276	25750
Cap, EPDM, 417, PxCAP, 2	PWR7481287	25755

90° elbow

P x P

DESCRIPTION	APOLLO POWERPRESS	VIEGA MEGAPRESSG
90° Elbow, Gas, HNBR, 407G, P x P, ½	PWR7481419	25201
90° Elbow, Gas, HNBR, 407G, P x P, ¾	PWR7481421	25206
90° Elbow, Gas, HNBR, 407G, P x P, 1	PWR7481430	25211
90° Elbow, Gas, HNBR, 407G, P x P, 1¼	PWR7481441	25216
90° Elbow, Gas, HNBR, 407G, P x P, 1½	PWR7481452	25221
90° Elbow, Gas, HNBR, 407G, P x P, 2	PWR7481463	25226

P x FTG

DESCRIPTION	APOLLO POWERPRESS	VIEGA MEGAPRESSG
90° Street Elbow, Gas, HNBR, 407-2G, P x FTG, ½	PWR7481474	26051
90° Street Elbow, Gas, HNBR, 407-2G, P x FTG, ¾	PWR7481485	26056
90° Street Elbow, Gas, HNBR, 407-2G, P x FTG, 1	PWR7481496	26061
90° Street Elbow, Gas, HNBR, 407-2G, P x FTG, 1¼	PWR7481507	26066
90° Street Elbow, Gas, HNBR, 407-2G, P x FTG, 1½	PWR7481518	26071
90° Street Elbow, Gas, HNBR, 407-2G, P x FTG, 2	PWR7481529	26076

45° elbow

P x P

DESCRIPTION	APOLLO POWERPRESS	VIEGA MEGAPRESSG
45° Elbow, Gas, HNBR, 406G, P x P, ½	PWR7481531	25231
45° Elbow, Gas, HNBR, 406G, P x P, ¾	PWR7481540	25236
45° Elbow, Gas, HNBR, 406G, P x P, 1	PWR7481551	25241
45° Elbow, Gas, HNBR, 406G, P x P, 1¼	PWR7481562	25246
45° Elbow, Gas, HNBR, 406G, P x P, 1½	PWR7481573	25251
45° Elbow, Gas, HNBR, 406G, P x P, 2	PWR7481584	25256

P x FTG

DESCRIPTION	APOLLO POWERPRESS	VIEGA MEGAPRESSG
45° Street Elbow, Gas, HNBR, 406-2G, P x FTG, ½	PWR7481595	26101
45° Street Elbow, Gas, HNBR, 406-2G, P x FTG, ¾	PWR7481606	26106
45° Street Elbow, Gas, HNBR, 406-2G, P x FTG, 1	PWR7481617	26111
45° Street Elbow, Gas, HNBR, 406-2G, P x FTG, 1¼	PWR7481628	26116
45° Street Elbow, Gas, HNBR, 406-2G, P x FTG, 1½	PWR7481639	26121
45° Street Elbow, Gas, HNBR, 406-2G, P x FTG, 2	PWR7481641	26126

tees

P x P x P

DESCRIPTION	APOLLO POWERPRESS	VIEGA MEGAPRESSG
Tee, Gas, HNBR, 411G, P x P x P, 1/2	PWR7481650	25301
Tee - Reducing Outlet, Gas, HNBR, 411RG, P x P x P, 3/4 x 3/4 x 1/2	PWR7481716	25331
Tee, Gas, HNBR, 411G, P x P x P, 3/4	PWR7481661	25306
Tee - Reducing Outlet, Gas, HNBR, 411RG, P x P x P, 1 x 1 x 1/2	PWR7481727	25336
Tee - Reducing Outlet, Gas, HNBR, 411RG, P x P x P, 1 x 1 x 3/4	PWR7481738	25341
Tee, Gas, HNBR, 411G, P x P x P, 1	PWR7481672	25311
Tee - Reducing Outlet, Gas, HNBR, 411RG, P x P x P, 1 1/4 x 1 1/4 x 1/2	PWR7483124	25491
Tee - Reducing Outlet, Gas, EPDM, 411RG, P x P x P, 1 1/4 x 1 1/4 x 3/4	PWR7483135	25496
Tee - Reducing Outlet, Gas, HNBR, 411RG, P x P x P, 1 1/4 x 1 1/4 x 1	PWR7481749	25351
Tee, Gas, HNBR, 411G, P x P x P, 1 1/4	PWR7481683	25316
Tee - Reducing Outlet, Gas, HNBR, 411RG, P x P x P, 1 1/2 x 1 1/2 x 1/2	PWR7481751	25361
Tee - Reducing Outlet, Gas, HNBR, 411RG, P x P x P, 1 1/2 x 1 1/2 x 3/4	PWR7481760	25366
Tee - Reducing Outlet, Gas, HNBR, 411RG, P x P x P, 1 1/2 x 1 1/2 x 1	PWR7481771	25371
Tee - Reducing Outlet, Gas, HNBR, 411RG, P x P x P, 1 1/2 x 1 1/2 x 1 1/4	PWR7481782	25376
Tee, Gas, HNBR, 411G, P x P x P, 1 1/2	PWR7481694	25321
Tee - Reducing Outlet, Gas, HNBR, 411RG, P x P x P, 2 x 2 x 1/2	PWR7481793	25381
Tee - Reducing Outlet, Gas, HNBR, 411RG, P x P x P, 2 x 2 x 3/4	PWR7481804	25386
Tee - Reducing Outlet, Gas, HNBR, 411RG, P x P x P, 2 x 2 x 1	PWR7481815	25391
Tee - Reducing Outlet, Gas, HNBR, 411RG, P x P x P, 2 x 2 x 1 1/4	PWR7481826	25396
Tee - Reducing Outlet, Gas, HNBR, 411RG, P x P x P, 2 x 2 x 1 1/2	PWR7481837	25401
Tee, Gas, HNBR, 411G, P x P x P, 2	PWR7481705	25326

P x P x FPT

DESCRIPTION	APOLLO POWERPRESS	VIEGA MEGAPRESSG
Tee - Female Outlet, Gas, HNBR, 4712G, P x P x FPT, 3/4 x 3/4 x 1/2	PWR7481848	25406
Tee - Female Outlet, Gas, HNBR, 4712G, P x P x FPT, 3/4 x 3/4 x 3/4	PWR7481859	25481
Tee - Female Outlet, Gas, HNBR, 4712G, P x P x FPT, 1 x 1 x 1/2	PWR7481861	25411
Tee - Female Outlet, Gas, HNBR, 4712G, P x P x FPT, 1 x 1 x 3/4	PWR7481870	25416
Tee - Female Outlet, Gas, HNBR, 4712G, P x P x FPT, 1 1/4 x 1 1/4 x 1/2	PWR7481881	25486
Tee - Female Outlet, Gas, HNBR, 4712G, P x P x FPT, 1 1/4 x 1 1/4 x 3/4	PWR7483146	25506
Tee - Female Outlet, Gas, HNBR, 4712G, P x P x FPT, 1 1/4 x 1 1/4 x 1	PWR7483157	25501
Tee - Female Outlet, Gas, HNBR, 4712G, P x P x FPT, 1 1/2 x 1 1/2 x 1/2	PWR7481892	25436
Tee - Female Outlet, Gas, HNBR, 4712G, P x P x FPT, 1 1/2 x 1 1/2 x 3/4	PWR7481903	25441
Tee - Female Outlet, Gas, HNBR, 4712G, P x P x FPT, 1 1/2 x 1 1/2 x 1	PWR7481914	25446
Tee - Female Outlet, Gas, HNBR, 4712G, P x P x FPT, 1 1/2 x 1 1/2 x 1 1/4	PWR7481925	25451
Tee - Female Outlet, Gas, HNBR, 4712G, P x P x FPT, 2 x 2 x 1/2	PWR7481936	25456
Tee - Female Outlet, Gas, HNBR, 4712G, P x P x FPT, 2 x 2 x 3/4	PWR7481947	25461
Tee - Female Outlet, Gas, HNBR, 4712G, P x P x FPT, 2 x 2 x 1	PWR7481958	25466
Tee - Female Outlet, Gas, HNBR, 4712G, P x P x FPT, 2 x 2 x 1 1/4	PWR7481969	25471
Tee - Female Outlet, Gas, HNBR, 4712G, P x P x FPT, 2 x 2 x 1 1/2	PWR7481971	25476

coupling

P x P

DESCRIPTION	APOLLO POWERPRESS	VIEGA MEGAPRESSG
Coupling with Stop, Gas, HNBR, 400G, PxP, ½	PWR7481298	25001
Coupling with Stop, Gas, HNBR, 400G, PxP, ¾	PWR7481309	22009
Coupling with Stop, Gas, HNBR, 400G, PxP, 1	PWR7481311	25011
Coupling with Stop, Gas, HNBR, 400G, PxP, 1¼	PWR7481320	25016
Coupling with Stop, Gas, HNBR, 400G, PxP, 1½	PWR7481331	25021
Coupling with Stop, Gas, HNBR, 400G, PxP, 2	PWR7481342	25026

coupling | no stop

P x P

DESCRIPTION	APOLLO POWERPRESS	VIEGA MEGAPRESSG
Coupling No Stop, Gas, HNBR, 401G, PxP, ½	PWR7481353	25031
Reducer Coupling, Gas, HNBR, 401RG, PxP, ¾x½	PWR7483168	25931
Coupling No Stop, Gas, HNBR, 401G, PxP, ¾	PWR7481364	25036
Reducer Coupling, Gas, HNBR, 401RG, PxP, 1x½	PWR7483179	25936
Reducer Coupling, Gas, HNBR, 401RG, PxP, 1x¾	PWR7483181	25941
Coupling No Stop, Gas, HNBR, 401G, PxP, 1	PWR7481375	25041
Reducer Coupling, Gas, HNBR, 401RG, PxP, 1¼x¾	PWR7483190	25946
Reducer Coupling, Gas, HNBR, 401RG, PxP, 1¼x1	PWR7483201	25951
Coupling No Stop, Gas, HNBR, 401G, PxP, 1¼	PWR7481386	25046
Reducer Coupling, Gas, HNBR, 401RG, PxP, 1½x1¼	PWR7483212	25956
Coupling No Stop, Gas, HNBR, 401G, PxP, 1½	PWR7481397	25051
Reducer Coupling, Gas, HNBR, 401RG, PxP, 2x1¼	PWR7483223	25961
Reducer Coupling, Gas, HNBR, 401RG, PxP, 2x1½	PWR7483234	25966
Coupling No Stop, Gas, HNBR, 401G, PxP, 2	PWR7481408	25056

fitting reducer

FTG x P

DESCRIPTION	APOLLO POWERPRESS	VIEGA MEGAPRESSG
Fitting Reducer, Gas, HNBR, 418G, FTGxP, ¾x½	PWR7481980	26001
Fitting Reducer, Gas, HNBR, 418G, FTGxP, 1x½	PWR7481991	26006
Fitting Reducer, Gas, HNBR, 418G, FTGxP, 1x¾	PWR7482002	26011
Fitting Reducer, Gas, HNBR, 418G, FTGxP, 1¼x1	PWR7482013	26016
Fitting Reducer, Gas, HNBR, 418G, FTGxP, 1½x¾	PWR7482024	26021
Fitting Reducer, Gas, HNBR, 418G, FTGxP, 1½x1	PWR7482035	26031
Fitting Reducer, Gas, HNBR, 418G, FTGxP, 1½x1¼	PWR7482046	26026
Fitting Reducer, Gas, HNBR, 418G, FTGxP, 2x1	PWR7482057	26036

Fitting Reducer, Gas, HNBR, 418G, FTGxP, 2x1¼	PWR7482068	26041
Fitting Reducer, Gas, HNBR, 418G, FTGxP, 2x1½	PWR7482079	26046

adapter

P x FPT

DESCRIPTION	APOLLO POWERPRESS	VIEGA MEGAPRESSG
Female Thread Adapter, Gas, HNBR, 403G, PxFPT, ½x½	PWR7482145	25131
Female Thread Adapter, Gas, HNBR, 403G, PxFPT, ¾x½	PWR7482156	25576
Female Thread Adapter, Gas, HNBR, 403G, PxFPT, ¾x¾	PWR7482167	25136
Female Thread Adapter, Gas, HNBR, 403G, PxFPT, 1x½	PWR7482178	25581
Female Thread Adapter, Gas, HNBR, 403G, PxFPT, 1x¾	PWR7482189	25586
Female Thread Adapter, Gas, HNBR, 403G, PxFPT, 1x1	PWR7482191	25141
Female Thread Adapter, Gas, HNBR, 403G, PxFPT, 1¼x½	PWR7482200	25591
Female Thread Adapter, Gas, HNBR, 403G, PxFPT, 1¼x¾	PWR7482211	25596
Female Thread Adapter, Gas, HNBR, 403G, PxFPT, 1¼x1	PWR7482222	25601
Female Thread Adapter, Gas, HNBR, 403G, PxFPT, 1¼x1¼	PWR7482233	25146
Female Thread Adapter, Gas, HNBR, 403G, PxFPT, 1½x½	PWR7482244	25606
Female Thread Adapter, Gas, HNBR, 403G, PxFPT, 1½x¾	PWR7482255	25611
Female Thread Adapter, Gas, HNBR, 403G, PxFPT, 1½x1	PWR7482266	25616
Female Thread Adapter, Gas, HNBR, 403G, PxFPT, 1½x1¼	PWR7482277	25621
Female Thread Adapter, Gas, HNBR, 403G, PxFPT, 1½x1½	PWR7482288	25151
Female Thread Adapter, Gas, HNBR, 403G, PxFPT, 2x½	PWR7482299	25626
Female Thread Adapter, Gas, HNBR, 403G, PxFPT, 2x¾	PWR7482301	25631
Female Thread Adapter, Gas, HNBR, 403G, PxFPT, 2x1	PWR7482310	25636
Female Thread Adapter, Gas, HNBR, 403G, PxFPT, 2x1¼	PWR7482321	25641
Female Thread Adapter, Gas, HNBR, 403G, PxFPT, 2x1½	PWR7482332	25646
Female Thread Adapter, Gas, HNBR, 403G, PxFPT, 2x2	PWR7482343	25156

P x MPT

DESCRIPTION	APOLLO POWERPRESS	VIEGA MEGAPRESSG
Male Thread Adapter, Gas, HNBR, 404G, PxMPT, ½x½	PWR7482081	25101
Male Thread Adapter, Gas, HNBR, 404G, PxMPT, ¾x¾	PWR7482090	25106
Male Thread Adapter, Gas, HNBR, 404G, PxMPT, 1x1	PWR7482101	25111
Male Thread Adapter, Gas, HNBR, 404G, PxMPT, 1¼x1¼	PWR7482112	25116
Male Thread Adapter, Gas, HNBR, 404G, PxMPT, 1½x1½	PWR7482123	25121
Male Thread Adapter, Gas, HNBR, 404G, PxMPT, 2x2	PWR7482134	25126

flange adapter | ANSI class 150

P x FLANGE

DESCRIPTION	APOLLO POWERPRESS	VIEGA MEGAPRESSG
Flange Adapter Class 150, Gas, HNBR, 4771G, PxFLG, ½	PWR7482411	25761
Flange Adapter Class 150, Gas, HNBR, 4771G, PxFLG, ¾	PWR7482420	25766
Flange Adapter Class 150, Gas, HNBR, 4771G, PxFLG, 1	PWR7482431	25771
Flange Adapter Class 150, Gas, HNBR, 4771G, PxFLG, 1¼	PWR7482442	25776
Flange Adapter Class 150, Gas, HNBR, 4771G, PxFLG, 1½	PWR7482453	25781
Flange Adapter Class 150, Gas, HNBR, 4771G, PxFLG, 2	PWR7482464	25786

unions

P x P

DESCRIPTION	APOLLO POWERPRESS	VIEGA MEGAPRESSG
Union, Gas, HNBR, 4733G, PxP, ½	PWR7482354	25701
Union, Gas, HNBR, 4733G, PxP, ¾	PWR7482365	25706
Union, Gas, HNBR, 4733G, PxP, 1	PWR7482376	25711
Union, Gas, HNBR, 4733G, PxP, 1¼	PWR7482387	25716
Union, Gas, HNBR, 4733G, PxP, 1½	PWR7482398	25721
Union, Gas, HNBR, 4733G, PxP, 2	PWR7482409	25726

P x FPT

DESCRIPTION	APOLLO POWERPRESS	VIEGA MEGAPRESSG
Female Union, Gas, HNBR, 4733G, PxFPT, ½	PWR7483300	25651
Female Union, Gas, HNBR, 4733G, PxFPT, ¾	PWR7483311	25656
Female Union, Gas, HNBR, 4733G, PxFPT, 1	PWR7483322	25661
Female Union, Gas, HNBR, 4733G, PxFPT, 1¼	PWR7483333	25666
Female Union, Gas, HNBR, 4733G, PxFPT, 1½	PWR7483344	25671
Female Union, Gas, HNBR, 4733G, PxFPT, 2	PWR7483355	25676

caps

TUBE CAP

DESCRIPTION	APOLLO POWERPRESS	VIEGA MEGAPRESSG
Cap, Gas, HNBR, 417G, PxCAP, ½	PWR7482475	25731
Cap, Gas, HNBR, 417G, PxCAP, ¾	PWR7482486	25736
Cap, Gas, HNBR, 417G, PxCAP, 1	PWR7482497	25741
Cap, Gas, HNBR, 417G, PxCAP, 1¼	PWR7482508	25746
Cap, Gas, HNBR, 417G, PxCAP, 1½	PWR7482519	25751
Cap, Gas, HNBR, 417G, PxCAP, 2	PWR7482521	25756

SCOPE

Subject to the conditions and limitations in this Limited Warranty, Aalberts integrated piping systems Americas, Inc. warrants to the owner of applicable real property in the United States (including its territories) and Canada that all Apollo® press fittings listed in the Apollo POWERPRESS® product range, when properly installed in the Approved Applications specifically mentioned below, under normal conditions of use, shall be free from failure caused by manufacturing defects for the applicable Warranty Period(s). This Limited Warranty applies strictly to products installed in the country in which they were purchased.

The terms of this Limited Warranty shall only apply when installation is performed in conformance with Apollo's written installation instructions. Additionally, all products must be installed in accordance with all then applicable codes, good plumbing practices, and in accordance with any local, state, provincial or federal requirements.

This Limited Warranty shall be applicable to Apollo POWERPRESS® products only during the following Warranty Period(s):

- The terms of this Limited Warranty shall apply to Apollo POWERPRESS® fittings for a period of 15 years from the date of delivery to the original purchaser.
- The terms of this Limited Warranty shall apply to Apollo POWERPRESS® valves for a period of 5 years from the date of delivery to the original purchaser.

APPROVED APPLICATIONS

The Apollo POWERPRESS® system can be used in the following applications:

- | | |
|-------------------------------------|--------------------------------|
| Apollo POWERPRESS® | Apollo POWERPRESS® Gas system: |
| • Closed loop heating installations | • Gas installations |
| • Closed loop cooling installations | |
| • Compressed air installations | |
| • Wet sprinkler installations | |

COMPATIBILITY

Aalberts integrated piping systems Americas, Inc. guarantees the pressed connection of Apollo POWERPRESS® fittings when pressed under the following conditions:

1. The steel tubes (or those with epoxy coating, painting, or galvanized layer) comply to EN 10255, EN10220, ASTM A53, ASTM A106, ASTM A135, A795 (schedule 10 to 40).
2. The selected combination of tools, fittings and tube is permitted by the Apollo POWERPRESS® Catalog* valid at the time of installation.
3. All other terms of the Limited Warranty, as described in this document have been followed.

CONTENT OF THE LIMITED WARRANTY

Aalberts integrated piping systems Americas, Inc. warrants to the initial purchaser of the Apollo POWERPRESS® product range, that such products which are delivered to this initial purchaser will be of the kind described in the order or price list and will be free of defects in workmanship or material. For Apollo POWERPRESS® valve products, this warranty is for a period of FIVE years from the date of delivery to you, our initial purchaser. Should any failure to conform to these warranties appear within FIVE years after the date of the initial delivery to our initial purchaser, Aalberts integrated piping systems Americas, Inc. will, upon written notification thereof and substantiation that the goods have been stored, installed, maintained and operated in accordance with Aalberts integrated piping systems Americas, Inc. written instructions and recommendations, as well as standard industry practice, correct such defects by suitable repair or replacement at Aalberts integrated piping systems Americas, Inc. own expense.

For Apollo POWERPRESS® Fittings, this warranty is for a period of FIFTEEN years from the date of delivery to you, our initial purchaser. Should any failure to conform to these warranties appear within FIFTEEN years after the date of the initial delivery to our initial purchaser, Aalberts integrated piping systems Americas, Inc. will, upon written notification thereof and substantiation that the goods have been stored, installed, maintained and operated in accordance with Aalberts integrated piping systems Americas, Inc. written instructions and recommendations, as well as standard industry practice, correct such defects by suitable repair or replacement at Aalberts integrated piping systems Americas, Inc. own expense.

Any Apollo POWERPRESS® product which proves to be defective will be replaced or a credit issued, but no incidental labor charges, expenses or damages will be allowed.

THIS WARRANTY IS EXCLUSIVE AND IS IN LIEU OF ANY IMPLIED WARRANTY OF MERCHANTABILITY, FITNESS FOR A PARTICULAR PURPOSE OR OTHER WARRANTY OF QUALITY, WHETHER EXPRESSED OR IMPLIED, EXCEPT THE WARRANTY OF TITLE AND AGAINST PATENT INFRINGEMENT.

Correction of non-conformities, in the manner and for the period of time provided above, shall constitute fulfillment of all liabilities of Aalberts integrated piping systems Americas, Inc. to our initial purchaser, with respect to the goods, whether based on contract, negligence, strict tort or otherwise. It is the intention of Aalberts integrated piping systems Americas, Inc. that no warranty of any kind, whether expressed or implied shall pass through our initial purchaser to any other person or corporation.

LIMITATION OF LIABILITY: Aalberts integrated piping systems Americas, Inc.. SHALL NOT UNDER ANY CIRCUMSTANCES BE LIABLE FOR SPECIAL OR CONSEQUENTIAL DAMAGES SUCH AS, BUT NOT LIMITED TO, DAMAGES OR TO LOSS OF OTHER PROPERTY OR EQUIPMENT, LOSS OF PROFITS OR REVENUE, COST OF CAPITAL, COST OF PURCHASED OR REPLACEMENT GOODS, OR CLAIMS OF CUSTOMERS OF OUR INITIAL PURCHASER. THE REMEDIES OF OUR INITIAL PURCHASER, AND ALL OTHERS, SET FORTH HEREIN, ARE EXCLUSIVE, AND THE LIABILITY OF Aalberts integrated piping systems Americas, Inc.. WITH RESPECT TO SAME SHALL NOT, EXCEPT AS EXPRESSLY PROVIDED HEREIN, EXCEED THE PRICE OF THE GOODS UPON WHICH SUCH LIABILITY IS BASED.

This Limited Warranty and any claims arising from breach of contract, breach of warranty, tort, or any other claim arising from sale or use of Apollo® POWERPRESS products shall be governed and construed under the laws of the State of North Carolina.

* It is the end user's responsibility to confirm that items intended for use satisfy local codes and standards.

REQUIREMENTS OF INSTALLER

The installer is required to:

1. Check if the application of the products is legal and in accordance with local regulations.
2. Comply with the valid and accepted rules and regulations of installation technique.
3. Take any and all measures necessary in order to mitigate any damage.
4. Immediately notify Aalberts integrated piping systems Americas, Inc. in writing when the installer discovers or should have discovered any damage that has occurred, by giving a description of the event which contains the customer name, address, the time and a description of the damage.

5. Give Aalberts integrated piping systems Americas, Inc. the opportunity to, after receiving the notification of damage, evaluate the damage itself or to have it appraised by an expert.
6. Send the parts that have caused the damage directly to Aalberts integrated piping systems Americas, Inc. for further investigation by Aalberts integrated piping systems Americas, Inc.
7. If, without written permission by Aalberts integrated piping systems Americas, Inc. the installer, end user or any other third party removes, repairs or otherwise influences or modifies the products, the terms of this Limited Warranty shall not apply.

If any of the above mentioned requirements are not met, Aalberts integrated piping systems Americas, Inc. is relieved from the terms of this Limited Warranty.

REQUIREMENTS OF Aalberts integrated piping systems Americas, Inc. Aalberts integrated piping systems Americas, Inc. is required to inform the installer about the results of the investigation by Aalberts integrated piping systems Americas, Inc. or by a Aalberts integrated piping systems Americas, Inc. hired expert. Aalberts integrated piping systems Americas, Inc. is entitled to repair the damage itself or have it repaired by a third party.

REMAINING DEFINITIONS

LIMITATION OF LIABILITY: AALBERTS INTEGRATED PIPING SYSTEMS AMERICAS, INC. SHALL NOT UNDER ANY CIRCUMSTANCES BE LIABLE FOR SPECIAL OR CONSEQUENTIAL DAMAGES SUCH AS, BUT NOT LIMITED TO, DAMAGES OR TO LOSS OF OTHER PROPERTY OR EQUIPMENT, LOSS OF PROFITS OR REVENUE, COST OF CAPITAL, COST OF PURCHASED OR REPLACEMENT GOODS, OR CLAIMS OF CUSTOMERS OF OUR INITIAL PURCHASER. THE REMEDIES OF OUR INITIAL PURCHASER, AND ALL OTHERS, SET FORTH HEREIN, ARE EXCLUSIVE, AND THE LIABILITY OF AALBERTS INTEGRATED PIPING SYSTEMS AMERICAS, INC. WITH RESPECT TO SAME SHALL NOT, EXCEPT AS EXPRESSLY PROVIDED HEREIN, EXCEED THE PRICE OF THE GOODS UPON WHICH SUCH LIABILITY IS BASED.

This Limited Warranty and any claims arising from breach of contract, breach of warranty, tort, or any other claim arising from sale or use of Apollo** POWERPRESS products shall be governed and construed under the laws of the State of North Carolina.

TERMS & CONDITIONS OF SALE

- Payment net 30 days.
- All prices F.O.B. shipping point with freight allowed on shipments of at least 750 pounds of any combination of Apollo products and/or orders containing at least a \$2,500 net minimum of PowerPress products to all shipping points within the United States excluding Alaska and Hawaii. No freight allowed on Air Freight or Parcel Post shipments. Claims for shortages must be made within 10 days of receipt of material. Our responsibility ends when a delivery receipt is furnished us by the carrier.
- No invoice rendered For Less than \$50.00.
- No freight will be allowed on Air Freight, Air Express, Parcel Post or U.P.S. shipments.
- Phone order quoted prices are subject to correction. Prices and designs are subject to change without notice.
- Orders for material of special design or specification are made to customer's order and are not subject to cancellation or return.
- All goods returned to us will not be accepted unless a full explanation has been made and our written authorized permission obtained in advance. All goods returned - if accepted - will be credited at invoice price, less 30% for service and rehandling charges, plus shipping expenses.
- We reserve the right to adjust orders to box quantities.

Since the inception in 1975, Aalberts is where technology matters and real progress can be made - humanly, financially and environmentally. At Aalberts, we create mission-critical products surrounding valve and connection technology supporting our brand, "Apollo".

The manufacturing of Consolidated Brass Company (later called Conbraco) began in 1928, in Detroit, Michigan with a focus on ball cocks, air cocks and similar products. In 1955, the manufacturing operation moved to the Carolinas spanning North and South Carolina with 3 facilities. In 2010, Aalberts, a global Dutch company, purchased Conbraco. Today the "Apollo" brand is manufactured under the company name, Aalberts integrated piping systems, in 3 locations throughout South Carolina. Over the last 90 years the product portfolio has continued to grow to encompass ball valves, butterfly valves, safety relief valves, control valves, mixing valves and backflow preventors.

These systems are applicable for key verticals such as residential, commercial, industrial, and utility. Our products are designed and developed by our team of innovators and engineers. Our design services team can assist in helping you determine the best techniques for your application with our products. We are the only company that truly offers customers a complete solution every time that is made and sourced from the same organization.

Don't just buy products, buy solutions.

