



PFXC5512 SCOVIN SINGLE HANDLE PRE-RINSE KITCHEN FAUCET

Model Numbers

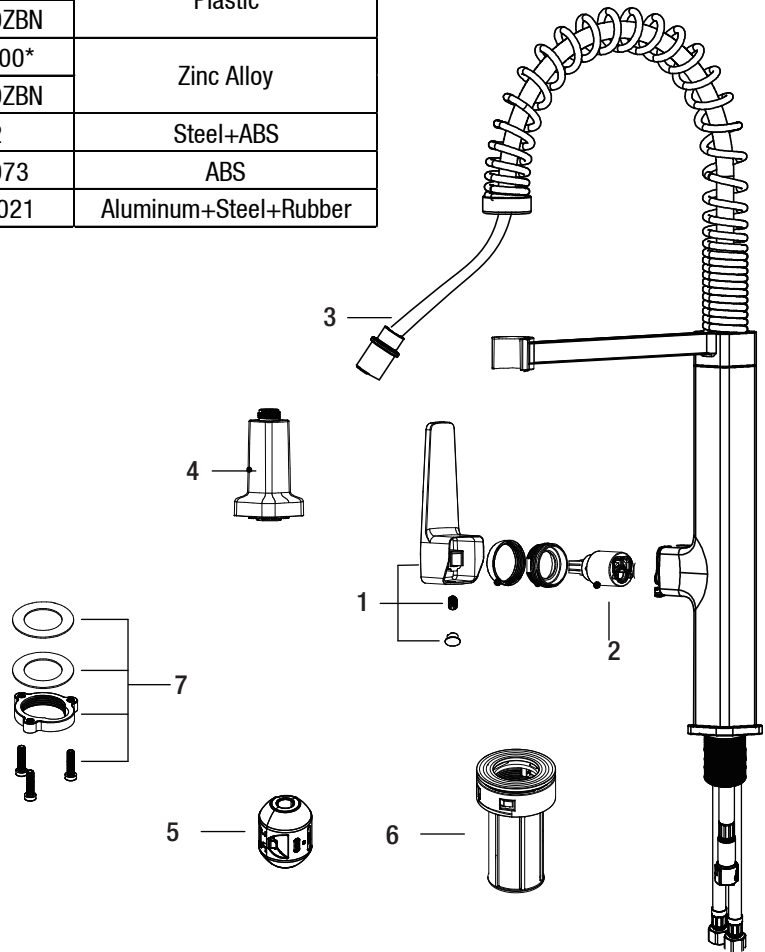
PFXC5512CP	Chrome
PFXC5512ZBN	PVD Brushed nickel
PFXC5512MB	Matte black

No.	Part & Code	Material Type
1	Spray head	OBPF799991006117*
		OBPF99991006117ZBN
2	Cartridge	OBPF2F25X24X01
3	Pull-down hose	OBPF812111121100*
		OBPF12111121100ZBN
4	Sprayhead	OBPF612101091100*
		OBPF12101091100ZBN
5	Weight	OBPF18305412
6	Quick install nut	OBPF120007050073
7	Mounting hardware	OBPF1121010221021



PFXC5512CP

* Specify Finish



Warranty and Codes

This product comes complete with installation, operating, care and maintenance instructions. This PROFLO faucet carries a limited lifetime warranty when installed in residential applications. The warranty is five years in commercial applications. This product meets ASME: A112.18.1. Compliant with lead content requirements of US Senate Bill S.3874

