

Specifications

PFXC5512 SCOVIN SINGLE HANDLE PRE-RINSE KITCHEN FAUCET



Product Features

- Ceramic disc cartridge
- Metal lever handle
- Single hole sink installation
- Optional deck plate included
- Max. flow rate: 1.8 gpm (6.8L/min) at 60 psi
- Two-function sprayer: stream and aerated spray
- Lifetime limited warranty
- Meets A112.18.1
- NSF 61 compliant
- cUPC/IAPMO listed



Model Numbers

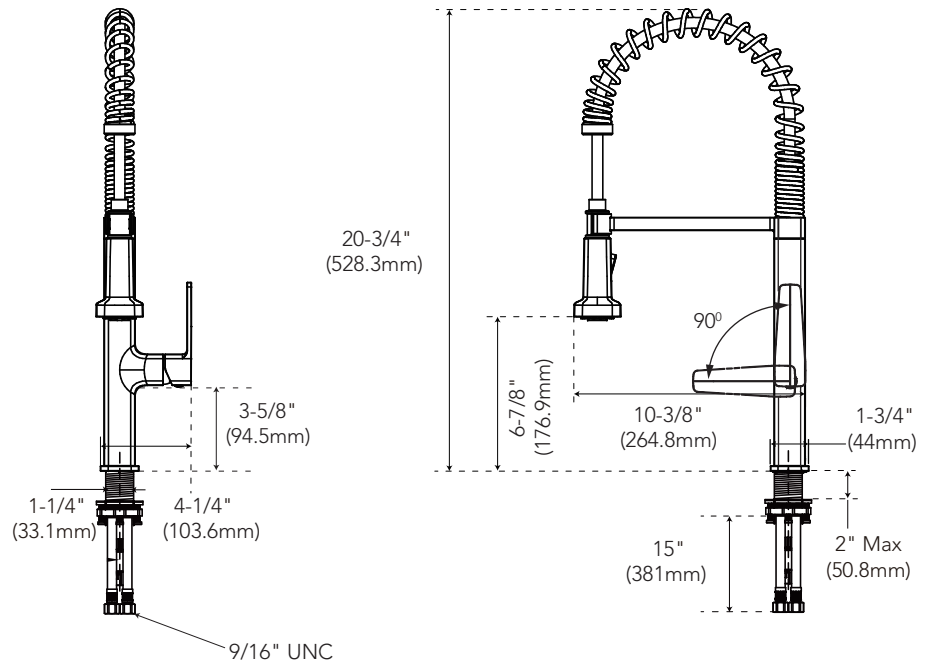
PFXC5512CP	Chrome
PFXC5512ZBN	PVD brushed nickel
PFXC5512MB	Matte black

PFX5512CP

Product Specifications

Optional Parts

OBPF121010910004* 8" deck plate



* All measurements are nominal. Please verify before actual installation.

Warranty and Codes

This product comes complete with installation, operating, care and maintenance instructions. This PROFLO faucet carries a limited lifetime warranty when installed in residential applications. The warranty is five years in commercial applications. This product meets ASME: A112.18.1. Compliant with lead content requirements of US Senate Bill S.3874

