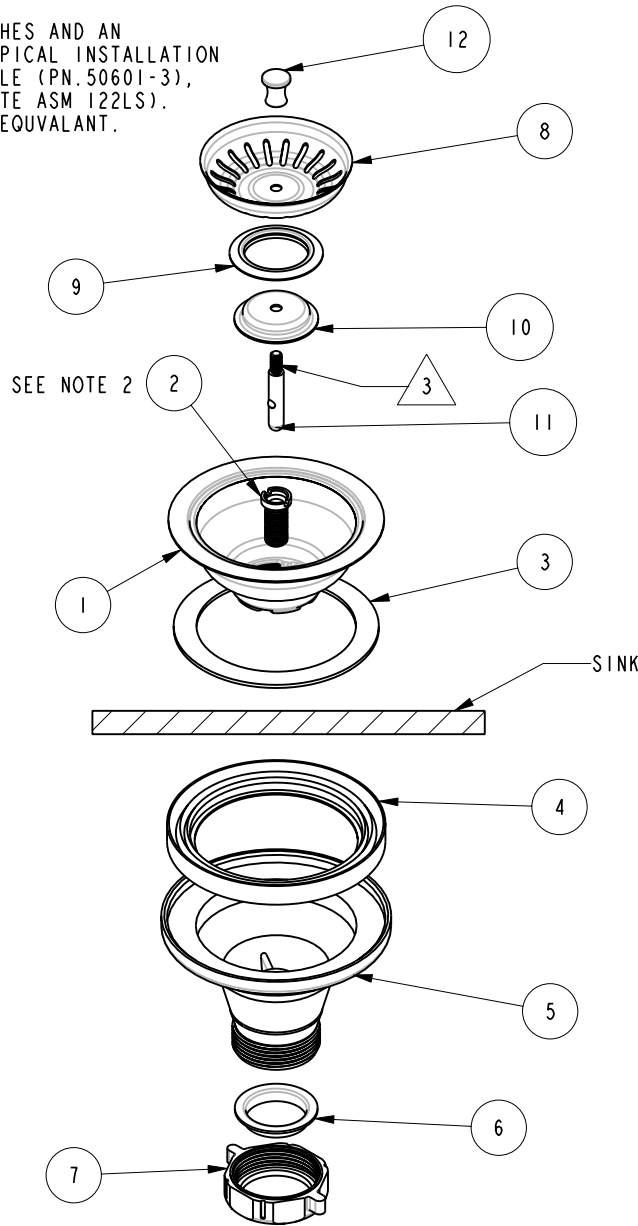


NOTES:

1. DIMENSIONS ARE IN INCHES AND AN APPROXIMATION OF A TYPICAL INSTALLATION
2. 1-1/4" LONGER AVAILABLE (PN. 50601-3), (SUPPLIED WITH COMPLETE ASM 122LS).
3. APPLY LOCTITE 680 OR EQUIVALENT.

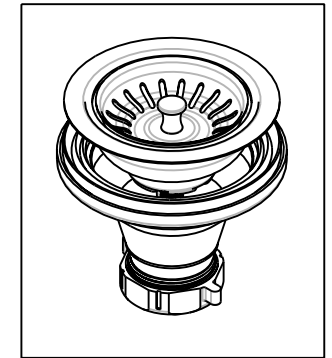
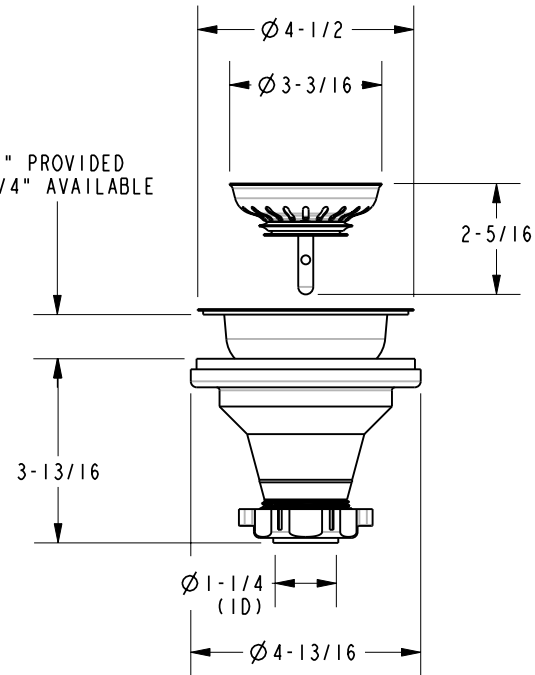
BILL OF MATERIAL (CURRENT LEVEL)

ITEM	PT/ASSY	DESCRIPTION	TYPE	QTY.
1	50090	DRAIN BASKET BODY	PART	1
2	50601	BOLT THRU HOLE	PART	1
3	91128	FOAM GASKET	PART	1
4	91131	GASKET FOR HOUSING	PART	1
5	50602	FLANGE HOUSING	PART	1
6	91127	WASHER-PLASTIC	PART	1
7	50093	LOCKNUT / 1-1/2 PLS	PART	1
8	50095	DRAIN BASKET	PART	1
9	91129	GASKET-STOPPER	PART	1
10	50098	FLANGE STOPPER	PART	1
11	5-023	POST ASM	ASSEMBLY	1
12	50096	POP-UP KNOB	PART	1



SINK

1" PROVIDED
2-1/4" AVAILABLE



COPYRIGHT 2005 BRASSTECH, INC. THESE DRAWINGS AND THE DESIGNS DEPICTED HEREIN ARE THE PROPRIETARY PROPERTY OF BRASSTECH. ANY USE OR REPRODUCTION IS SUBJECT TO THE EXPRESS APPROVAL OF BRASSTECH. UNAUTHORIZED USE IS STRICTLY PROHIBITED. ALL RIGHTS RESERVED.

BRASSTECH
INCORPORATED
2001 E. CARNEGIE AVE.
SANTA ANA, CA 92705
(949) 417-5207

DRAIN ASM

ASSY. NO.

122

SCALE 0.250

REF. -

SHEET | OF |

REV

RELEASED

10/98

REV DESC

DATE