



Location:



# Towel Bar 363TB-18, 363TB-24

## Specification Submittal

### Model Numbers

- 363TB-18 18 inch Towel Bar
- 363TB-24 24 inch Towel Bar

### Feature Highlights

- Metal construction
- Mounting hardware included
- Standard finish is polished chrome

### Finish Options / Modifications

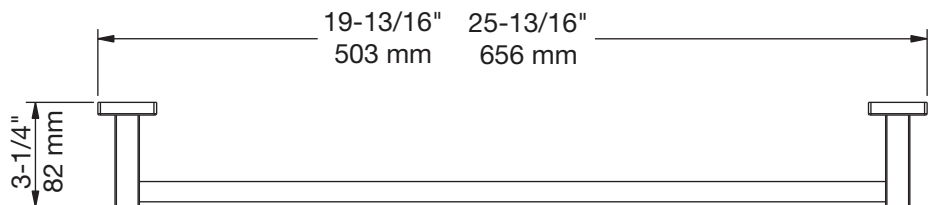
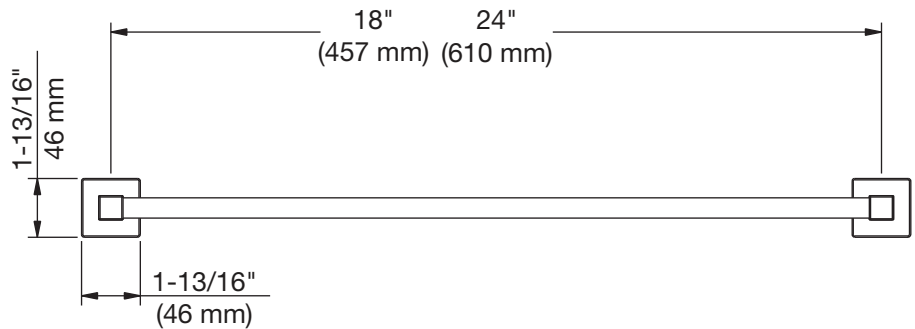
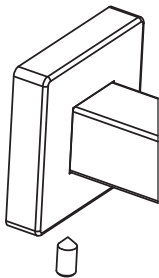
*Append appropriate -suffix to model number*

- BBZ Brushed Bronze finish
- MB Matte Black finish
- STN Satin Nickel finish
- Polished Chrome (standard finish)

### Warranty

- Limited Lifetime - to the original end purchaser in residential/consumer installations.
- 5 years - for commercial installations

## Dimensions *Duro Towel Bar, 363TB-18 and 363TB-24*



**Note:** Dimensions subject to change without notice



Location:



# Robe Hook 363RH

## Specification Submittal

### Model Numbers

- 363RH Robe Hook

### Feature Highlights

- Metal construction
- Mounting hardware included
- Standard finish is polished chrome

### Finish Options / Modifications

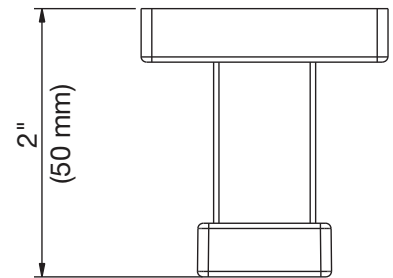
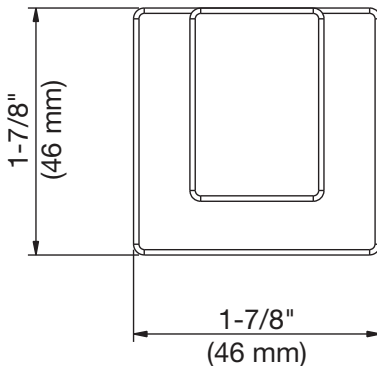
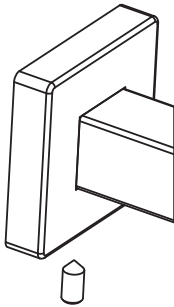
*Append appropriate -suffix to model number*

- BBZ Brushed Bronze finish
- MB Matte Black finish
- STN Satin Nickel finish
- Polished Chrome (standard finish)

### Warranty

- Limited Lifetime - to the original end purchaser in residential/consumer installations.
- 5 years - for commercial installations

## Dimensions *Duro Robe Hook, 363RH*



**Note:** Dimensions subject to change without notice



Location:



# Toilet Paper Holder 363TP

## Specification Submittal

### Model Numbers

- 363TP Toilet Paper Holder

### Feature Highlights

- Metal construction
- Mounting hardware included
- Standard finish is polished chrome

### Finish Options / Modifications

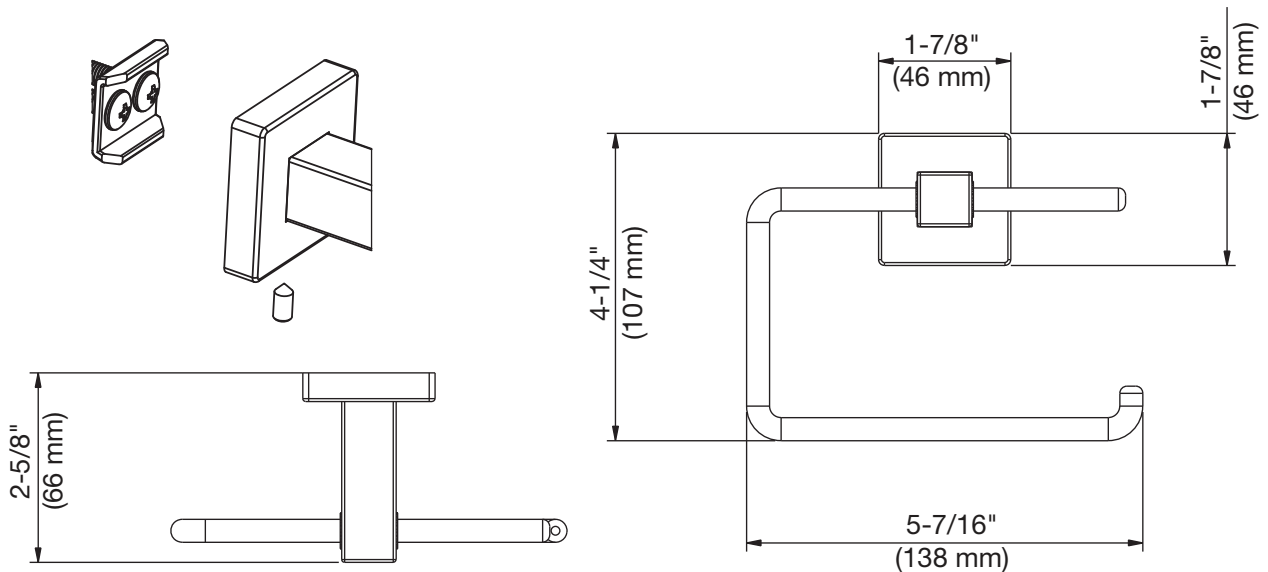
*Append appropriate -suffix to model number*

- BBZ Brushed Bronze finish
- MB Matte Black finish
- STN Satin Nickel finish
- Polished Chrome (standard finish)

### Warranty

- Limited Lifetime - to the original end purchaser in residential/consumer installations.
- 5 years - for commercial installations

## Dimensions *Duro Toilet Paper Holder, 363TP*



**Note:** Dimensions subject to change without notice



Location:



# Towel Ring 363TR

## Specification Submittal

### Model Numbers

- 363TR Towel Ring

### Feature Highlights

- Metal construction
- Mounting hardware included
- Standard finish is polished chrome

### Finish Options / Modifications

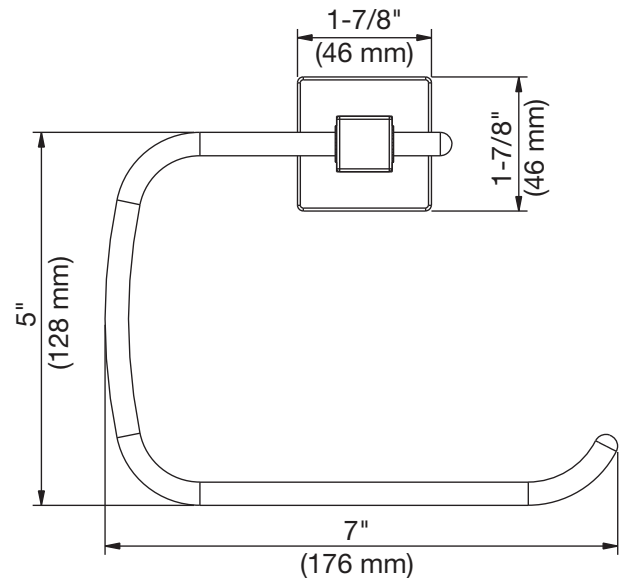
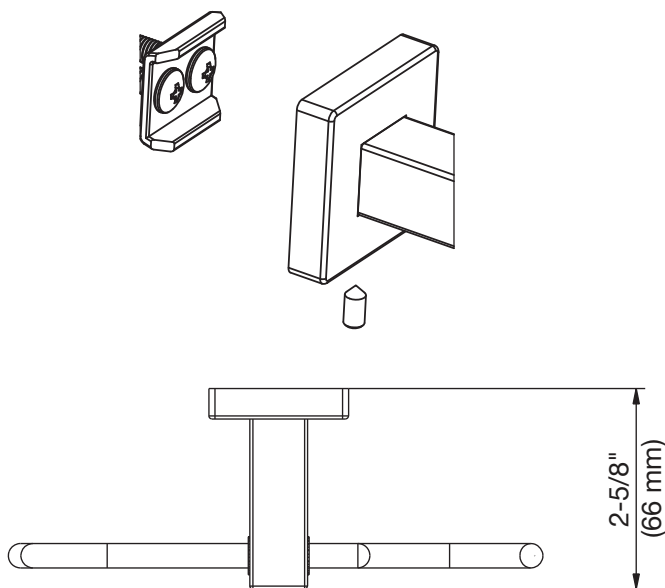
*Append appropriate -suffix to model number*

- BBZ Brushed Bronze finish
- MB Matte Black finish
- STN Satin Nickel finish
- Polished Chrome (standard finish)

### Warranty

- Limited Lifetime - to the original end purchaser in residential/consumer installations.
- 5 years - for commercial installations

### Dimensions *Duro Towel Ring, 363TR*



**Note:** Dimensions subject to change without notice