

SEAL WELDED BALL VALVES 3600 & 6000 WOG

W36, W35, W60, & W65 SERIES



High-pressure Seal Welded body design from 3600 WOG to 6000 WOG. Full port design 1/4"-1 1/2", Reduced port design available in 3/8", 1" & 2". Available with either Peek or Delrin seat configurations. All designs come standard with NACE Compliant, Fire Safe certified.

PRESSURE	MATERIAL	FIGURE NUMBER
3600	CF8M	W36
3600	WCB	W35
6000	CF8M	W60
6000	WCB	W65

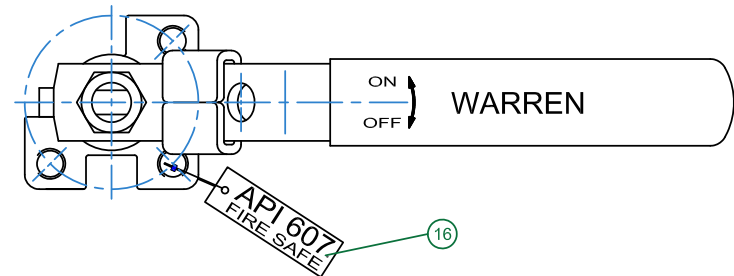
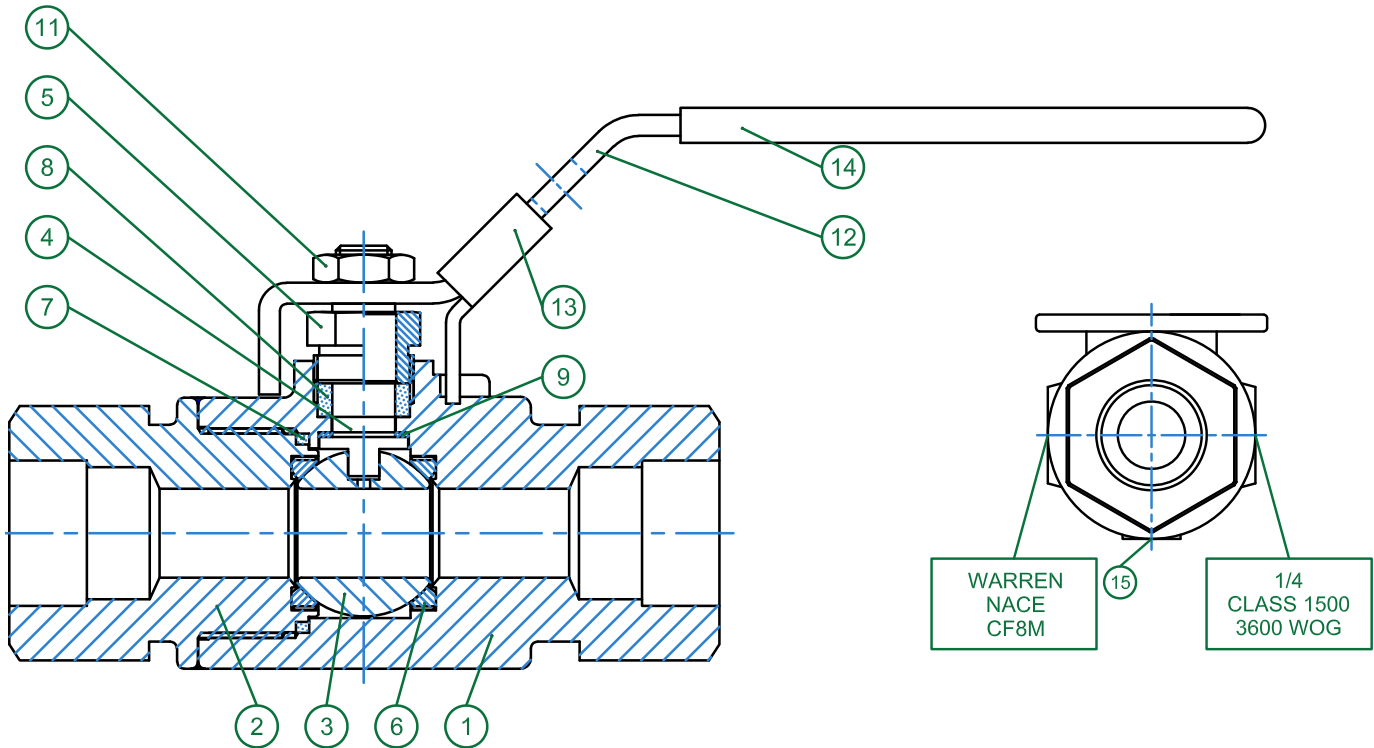
W36 & W35 SERIES PRODUCT OVERVIEW

SIZE RANGE	1/4" - 2"
MATERIAL GRADES	CF8M (W36) & WCB (W35)
PRESSURE RANGE	Class 1500 / 3600 WOG
END CONFIGURATIONS	Threaded & Socket Weld
PORTS	Reduced & Full
SEATS	Derlin & Peek
FEATURES	Seal Welded Construction, NACE Compliant, Fire Safe Certified, ISO Mounting Pad, Locking SS Handles

W60 & W65 SERIES PRODUCT OVERVIEW

SIZE RANGE	1/4" - 2"
MATERIAL GRADES	CF8M (W60) & WCB (W65)
PRESSURE RANGE	Class 2500 / 6000 WOG
END CONFIGURATIONS	Threaded & Socket Weld
PORTS	Reduced & Full
SEATS	Derlin & Peek
FEATURES	Seal Welded Construction, NACE Compliant, Fire Safe Certified, ISO Mounting Pad, Locking SS Handles

FIGURE NUMBERS W35, W36, W60 & W65



MATERIAL LIST

NO.	PART NAME	MATERIAL
		W36 & W60 / W35 & W65
1	BODY	ASTM A351-CF8M /A216-WCB
2	CAP	ASTM A351-CF8M /A216-WCB
3	BALL	ASTM A351-CF8M
4	STEM	ASTM A276-316
5	GLAND NUT	AISI SS316
6	SEAT	PEEK / Derlin
7	GASKET	GRAPHITE
8	STEM PACKING	GRAPHITE
9	THRUST WASHER	PEEK
11	NUT	AISI SS304
12	HANDLE	AISI SS304
13	LOCKING PAD	AISI SS304
14	HANDLE COVER	PLASTIC
15	NAME PLATE	ASTM A666 304
16	FIRE-SAFE TAG (API 607)	PAPER

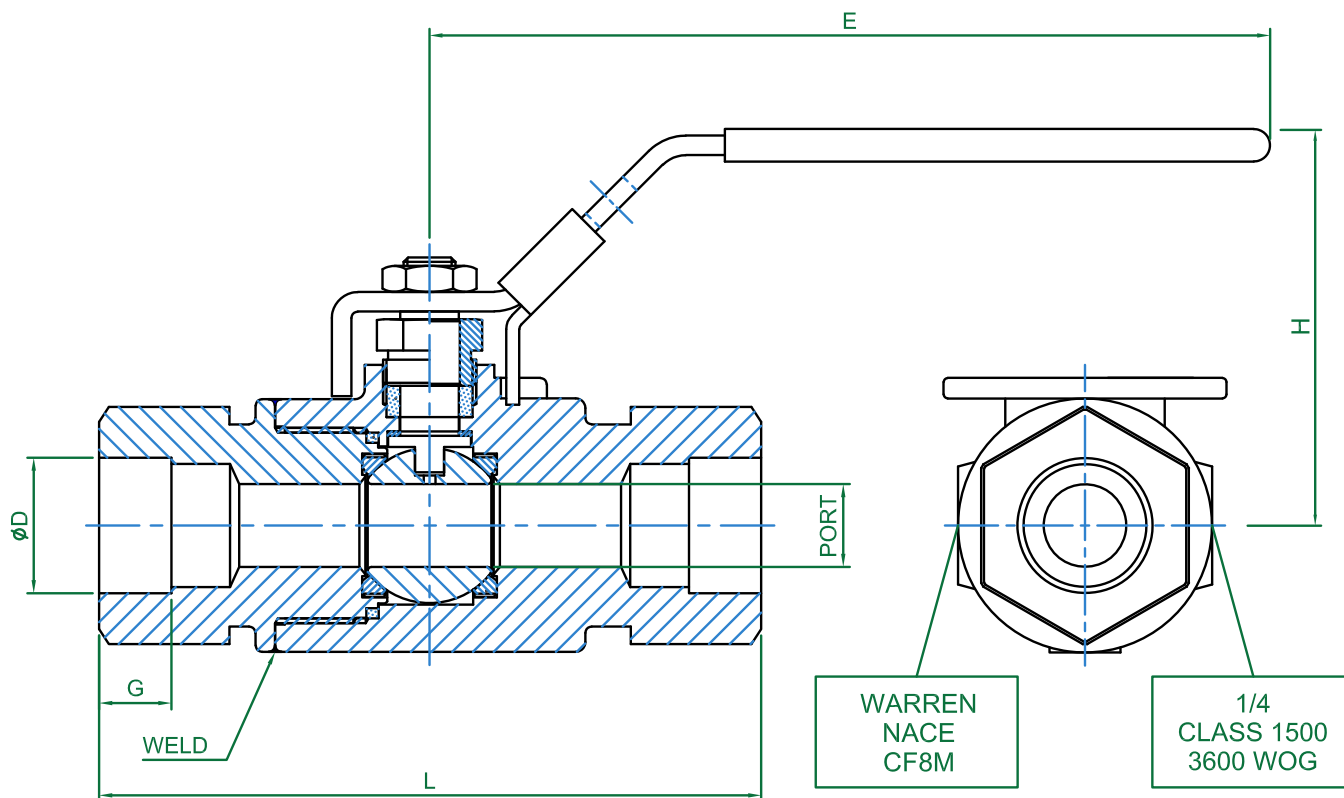


FIGURE NUMBERS **W35 & W36**

SIZE	PORT	L	E	H	D	G	CV(GPM)	WEIGHT(LBS)	ISO5211
1/4"	0.252	2.99	5.12	2.44	0.56	0.39	6.1	1.55	F03
3/8"(RP)	0.252	2.99	5.12	2.44	0.69	0.39	6.1	1.50	F03
1/2"	0.50	4.00	5.12	2.44	0.87	0.39	26	1.72	F03
3/4"	0.75	4.25	5.71	2.99	1.08	0.51	61	3.09	F04
1"(RP)	0.75	4.25	5.71	2.99	1.34	0.51	51	2.83	F04
1"	1.00	4.50	10.00	3.78	1.34	0.51	114	4.46	F05
1-1/2"	1.51	5.29	13.78	4.67	1.92	0.51	272	11.56	F07
2"(RP)	1.51	6.25	13.78	4.67	2.41	0.63	229	12.88	F07

FIGURE NUMBERS **W65 & W60**

SIZE	PORT	L	E	H	D	G	CV(GPM)	WEIGHT(LBS)	ISO5211
1/4"	0.252	2.99	5.12	2.44	0.56	0.39	6.1	1.55	F03
3/8"(RP)	0.252	2.99	5.12	2.44	0.69	0.39	6.1	1.50	F03
1/2"	0.50	4.00	5.12	2.44	0.87	0.39	26	2.03	F03
3/4"	0.75	4.25	5.71	2.99	1.08	0.51	61	3.49	F04
1"(RP)	0.75	4.25	5.71	2.99	1.34	0.51	51	3.93	F04
1"	1.00	4.75	10.00	3.78	1.34	0.51	114	6.13	F05
1-1/2"	1.51	5.29	13.78	4.67	1.92	0.51	272	13.85	F07
2"(RP)	1.51	6.25	13.78	4.67	2.41	0.63	229	16.94	F07