

RESSER SOLID SURFACE RECTANGULAR SEMI-RECESSED SINK - WHITE

SKU: 453256
Code: SHREV300



FEATURES

Material: Solid Surface
Product Finish: White
Installation Type: Semi-Recessed
Shape: Rectangle
Drain Placement: Center
Fits Drain Hole Size: 1-1/2"
Faucet Centers: No Faucet Hole
Overflow Hole: No
Mounting Hardware Included: No

CSA B45.5/IAPMO Z124, Massachusetts Accepted, LISTED ID: SHREV300WH



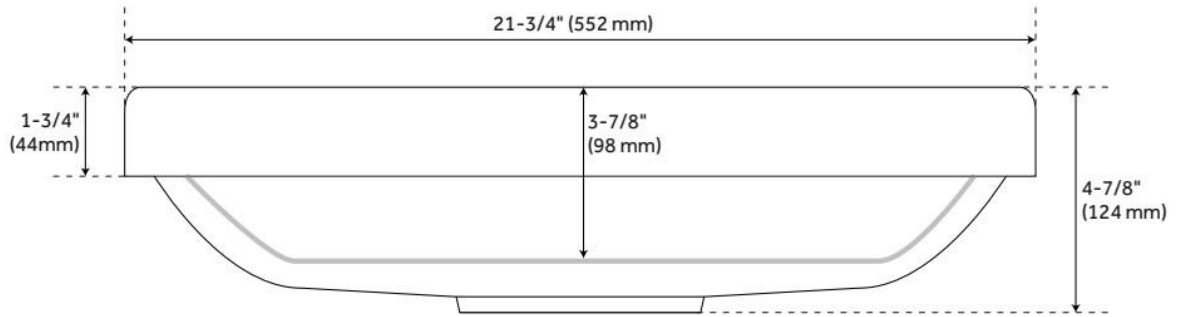
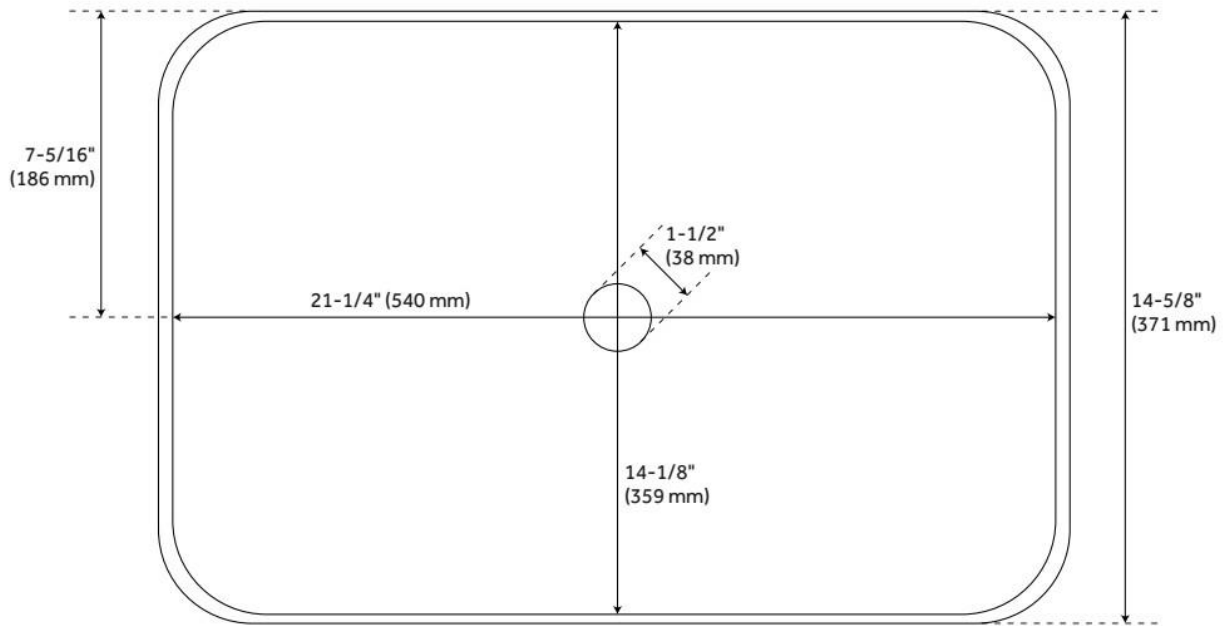
ADDITIONAL FEATURES

- It is recommended to have sink at job site before cutting vanity top or cabinet.
- Sink is 1-3/4" H above counter ($\pm 1/2$ ").
- Cutout template included.

REVISED 7/12/2024

RESSER SOLID SURFACE RECTANGULAR SEMI-RECESSED SINK - WHITE

SKU: 453256
Code: SHREV300



REVISED 7/12/2024