



Jacuzzi® Item # PT61000

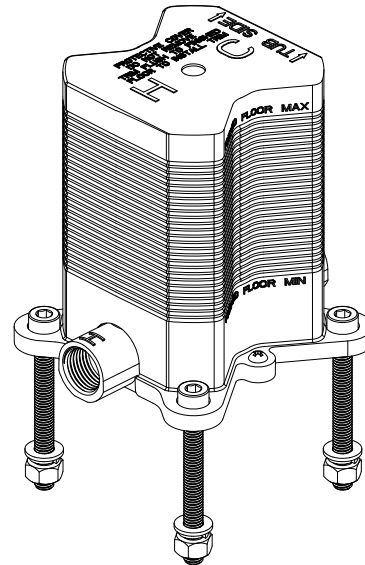
FREESTANDING TUB FILLER ROUGH IN MANIFOLD KIT WITH STOPS

MODEL # R67679-WS00

Questions, problems, missing parts? Before returning to your retailer, call our customer service department at 1-800-288-4002, 9 a.m. - 8 p.m., EST, Monday - Friday.

ATTACH YOUR RECEIPT HERE

Purchase Date _____



SAFETY INFORMATION

Please read and understand this entire manual before attempting to assemble, operate, or install the product.

WARNING:

- Follow the installation instructions carefully. Proper installation is the installer's responsibility.
- Failure to follow correct installation procedures can result in the faucet being loose, which can result in serious injury.

CAUTION:

- Check local building codes before beginning installation to ensure compliance.
- **ONLY COMPATIBLE WITH SELECT FREESTANDING TUB FILLERS. CONSULT YOUR FREESTANDING TUB FILLER MANUAL OR CONTACT CUSTOMER SERVICE TO CONFIRM COMPATIBILITY**

PREPARATION

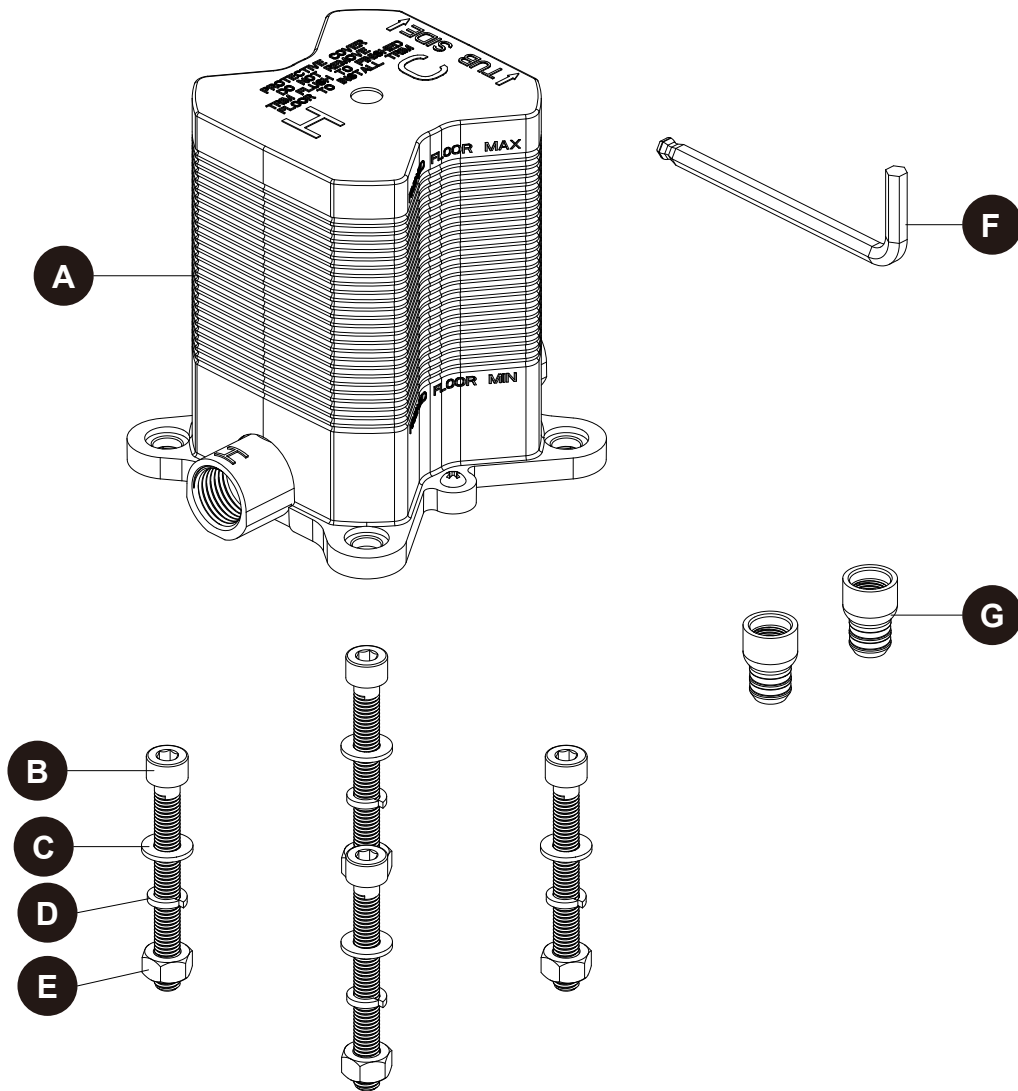
Before beginning the assembly of this product, make sure all parts are present. Compare parts with the package contents and hardware contents list. If any part is missing or damaged, do not attempt to assemble the product.

Estimated Assembly Time: 120 minutes (including removal of old faucet)

Tools Required for Assembly (not included): Adjustable Wrench, Phillips Screwdriver, Pencil, Electric Drill

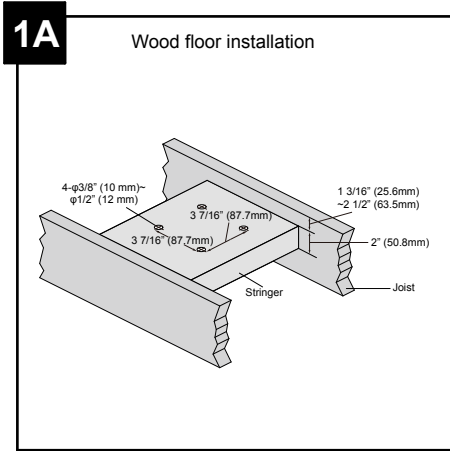
Tools Required for Concrete Assembly (not included): 1/4" Concrete Anchors, Electric Drill, Masonry Drill Bits

PACKAGE CONTENTS

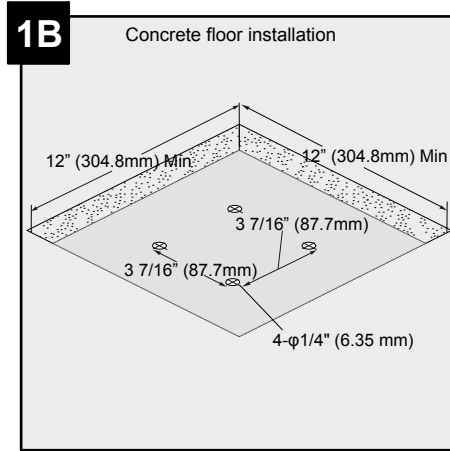


PART	DESCRIPTION	QUANTITY
A	Rough Assembly	1
B	Bolt	4
C	Washer	4
D	Washer	4
E	Nut	4
F	6mm Hex Allen Wrench	1
G	Connector	2

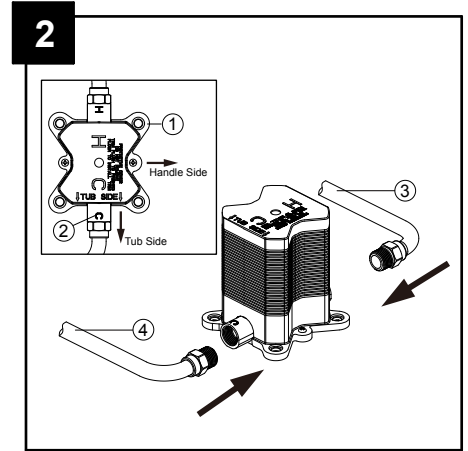
ASSEMBLY INSTRUCTIONS



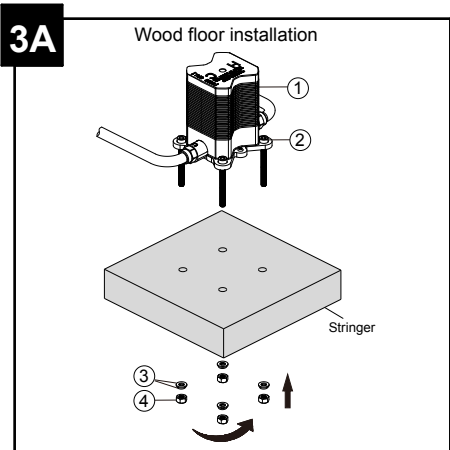
Before installation, please refer to step 2 to confirm the position of the rough body. Determine faucet location, make sure the stringer is located 1 3/16" (25.6mm)~2 1/2" (63.5mm) below the subfloor, then drill four holes min 3/8" (10mm) diameter-max 1/2" (12mm) diameter in the stringer as shown in the figure. If installing into concrete, please follow step 1B.
 Note: The wall thickness of the proposed stringer is 2" (50.8mm).



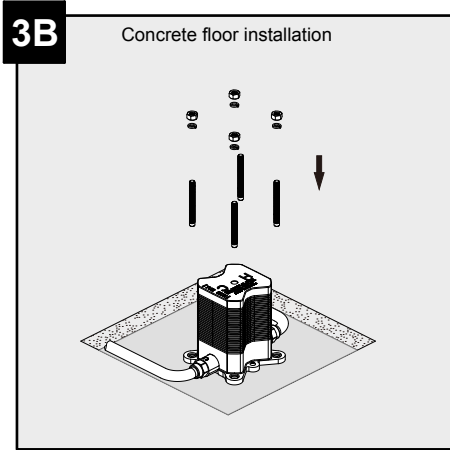
Determine faucet location and measure a min 12" x 12" space to allow for concrete to set. The rough-in should rest 1.6" (40.6MM) min - max 3" (76.2mm) deep from the finished floor. Drill four holes in concrete floor as shown in the figure. Refer to concrete anchor installation instructions for diameter and depth of hole required.



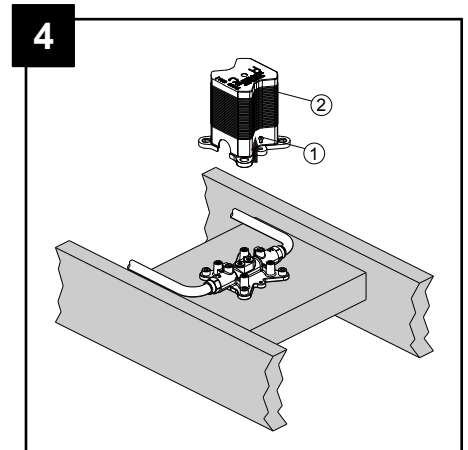
Measure and position rough-in (1) making sure "C" (2) is toward the tub side as shown in the figure. Make the necessary hot (3) and cold (4) water supply pipe (not included) connections, using sealant tape into 1/2" NPT inlets in rough body (1).
 Note: Do not reverse the hot and cold water supply.



Locate the rough assembly (1) through the prepared hole, secure rough to the floor using bolts (2), washer assembly (3) and nuts (4).

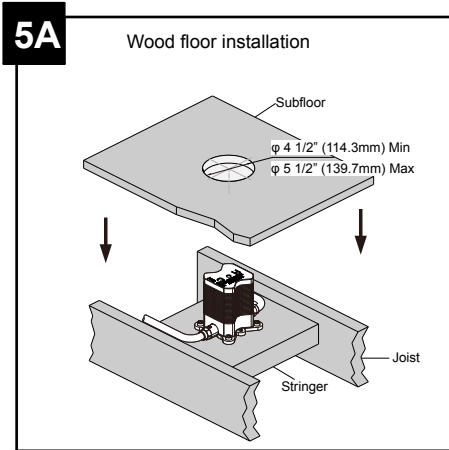


Install the rough assembly into the pre-drilled holes using 1/4" concrete anchors (not supplied).

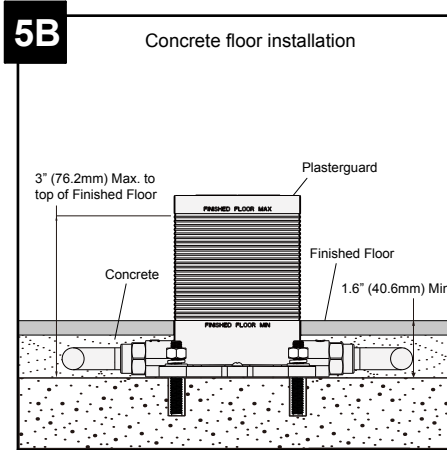


Loosen the screw (1) and remove the plasterguard (2) from the rough body. Rough assembly can now be air or water pressure tested for leaks in supply plumbing. Make sure to close integral stops before pressure testing. After the leak test is complete, replace the plasterguard. Note: Make sure marking "C" on the plasterguard is toward "C" on the rough body.

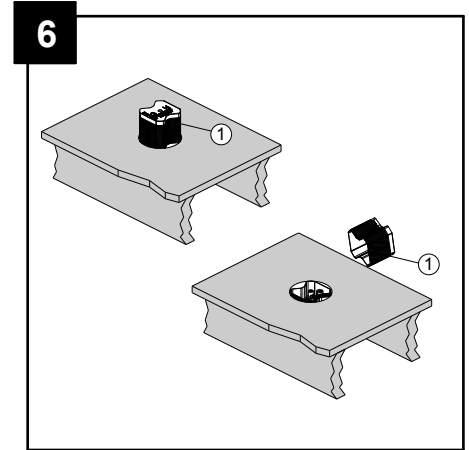
ASSEMBLY INSTRUCTIONS



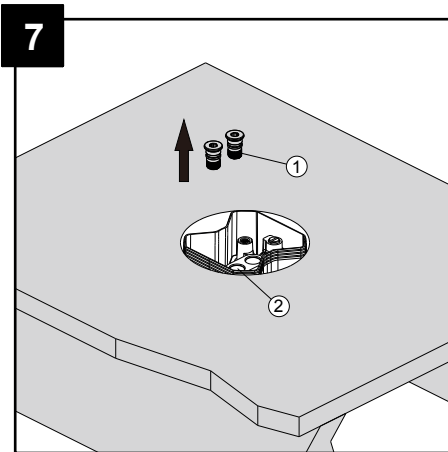
After the leak test is complete, cut a hole with a diameter of 4 1/2" (114.3mm) - 5 1/2" (139.7mm) in the subfloor to install the faucet.



Lay concrete after installing the rough-in.
 NOTE: The minimum thickness required for concrete is 1.6" (40.6mm) and the maximum thickness allowed for concrete is 3" (76.2mm).



After laying the floor, use a saw to remove the excess plasterguard (1) from the exposed floor.



Loosen the plug (1) with the hex wrench (HEX:6mm) from the rough body (2).

CARE AND MAINTENANCE

- Clean periodically with a soft cloth. Avoid abrasive cleaners, steel wool, and harsh chemicals as these will dull the finish and void your warranty.

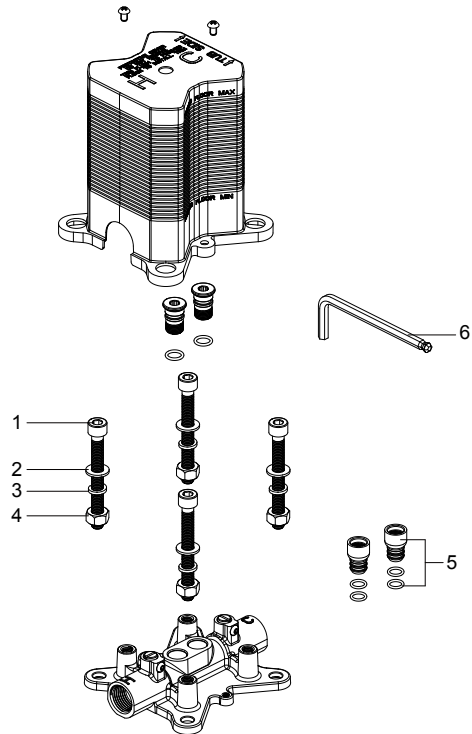
WARRANTY

The manufacturer warrants this faucet to be free from defects in workmanship and material present at time of shipment from the factory for a limited lifetime from the date of purchase. This warranty applies only to the original purchaser. The manufacturer agrees to correct such defects at no charge or, at our option, replace the faucet with a comparable or superior model. To obtain warranty service, call our customer service department at 1-800-288-4002 for return authorization and shipping instructions. You may be required to present a copy of your sales receipt as proof of purchase. All cost of removal and reinstallation are the expressed responsibility of the purchaser. Any damage to the faucet by accident, misuse or improper installation, or by affixing accessories not produced by the manufacturer, are the purchaser's responsibility. The manufacturer assumes no responsibility whatsoever for faucet installation during the warranty period. There is no further expressed warranty. The manufacturer disclaims any and all implied warranties. The manufacturer shall not be liable for incidental, consequential or special damages arising at or in connection with product use or performance except as may otherwise be accorded by law. This warranty gives you specific legal rights, and you may also have other rights which vary from state to state. This warranty supersedes all prior warranties.

REPLACEMENT PARTS LIST

For replacement parts, call our customer service department at 1-800-288-4002, 9 a.m. - 8 p.m., EST, Monday - Friday.

PART	DESCRIPTION
1	Screw
2	Washer
3	Washer
4	Nut
5	Connector
6	6mm Hex Allen Wrench



Printed in China