



Specifications

MODEL

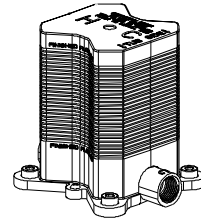
- PT61000 FREESTANDING TUB FILLER ROUGH-IN MANIFOLD KIT WITH STOPS

FEATURES

- Rough-in Manifold Kit only required for concrete installations
- Includes integral stops
- ONLY COMPATIBLE WITH SELECT FREESTANDING TUB FILLERS. CONSULT YOUR FREESTANDING TUB FILLER MANUAL OR CONTACT CUSTOMER SERVICE TO CONFIRM COMPATABILITY

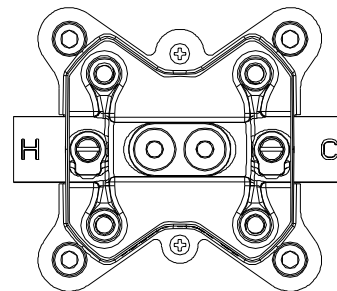
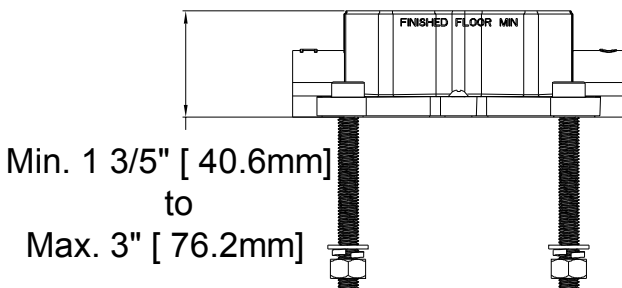
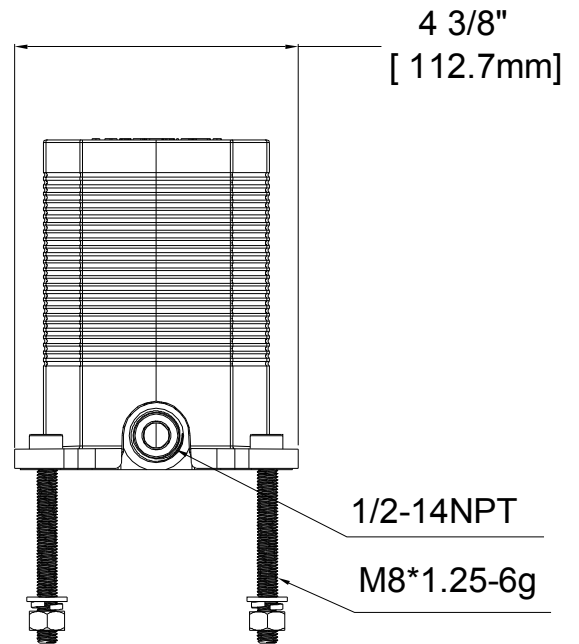
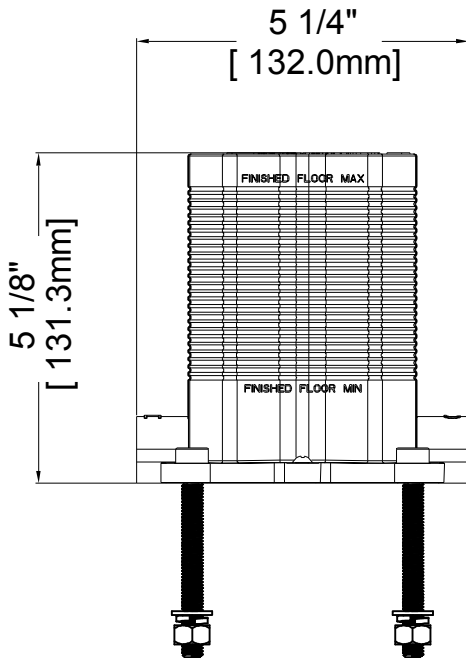
WARRANTY

- Limited Lifetime Warranty



FREESTANDING TUB FILLER ROUGH-IN MANIFOLD KIT WITH STOPS

MODEL	FINISH
PT61000	NA



INSTALLATION DIMENSIONS



Jacuzzi reserves the right to make changes in specifications and materials and to change and discontinue models, both without the notice or obligation. Dimensions are for reference only.