

## Neo™ Pull Down Kitchen Faucet

### FEATURES:

---

- 1.8 GPM (6.8 L/min) flow rate
- Brass construction
- Side lever handle
- 1/4 turn ceramic cartridge
- Flexible stainless steel inlet supply lines included, with 3/8" compression fittings
- Two function pull down sprayer: aerated and spray
- Corrosion resistant finishes
- Coordinates with Neo Collection

### STOCK FINISHES:

---



PC BRB MB SS

### ADD-ONS:

---

- SB-DECK: Kitchen Deck Plate (PC, BRB, MB, SS)

### STANDARDS:

---

- ASME A112.18.1/CSA B125.1 certified
- NSF/ANSI 61 certified
- NSF 372 certified
- CEC (CA Energy Commission) certified

### WARRANTY:

---

Visit [www.speakman.com](http://www.speakman.com) for full product warranty information

- Limited Lifetime Warranty (consumer)
- 5 Year Limited Warranty (commercial)



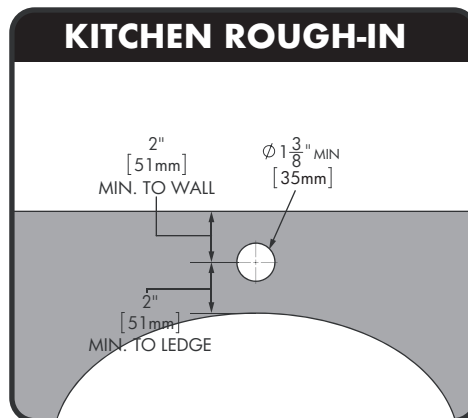
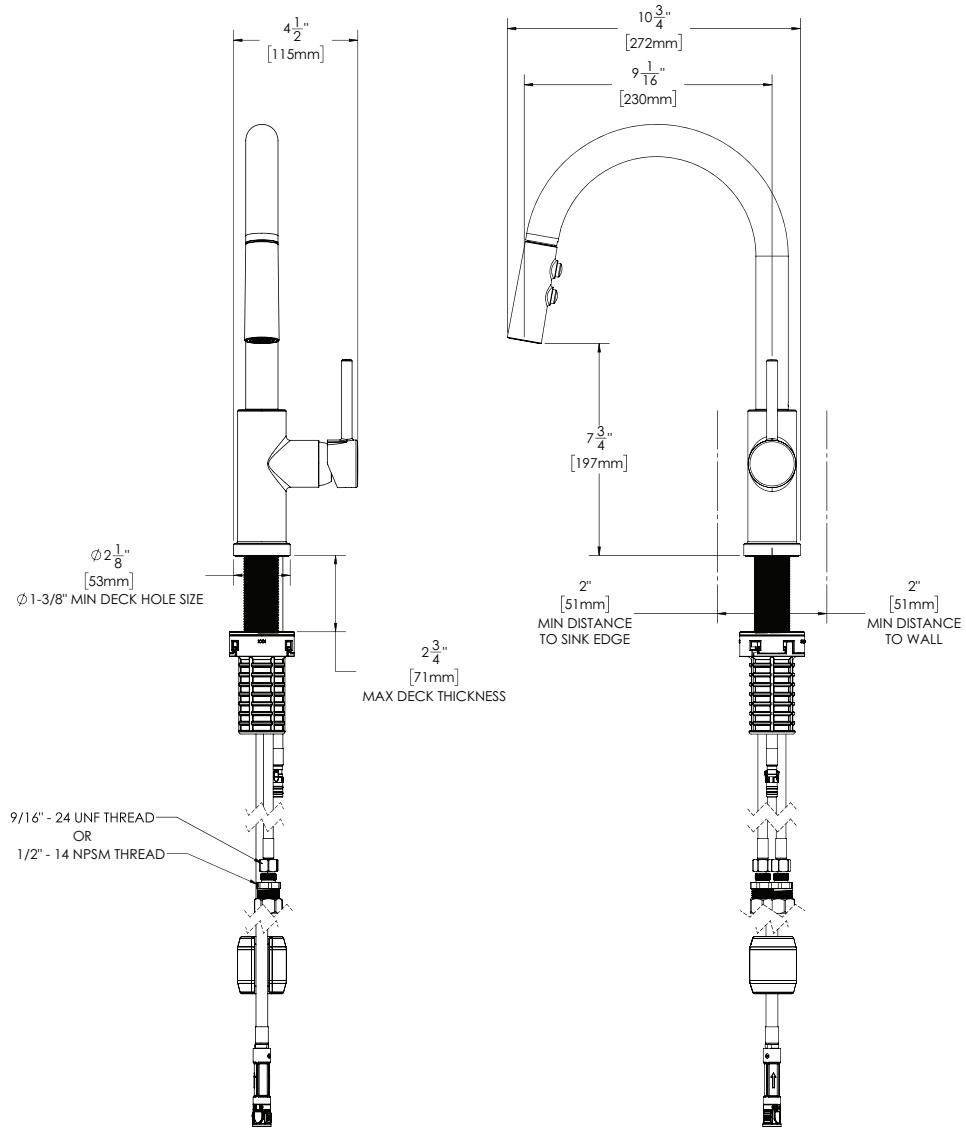
Information continues on next page

1. All dimensions are in inches (millimeters) unless otherwise specified and are subject to change without notice.

Architect/Engineer Approval Space:

P: 800-537-2107  
F: 800-977-2747  
W: WWW.SPEAKMAN.COM  
R: 01-AUGUST 2019

## Neo™ Pull Down Kitchen Faucet



1. All dimensions are in inches (millimeters) unless otherwise specified and are subject to change without notice.

Architect/Engineer Approval Space:

P: 800-537-2107  
 F: 800-977-2747  
 W: WWW.SPEAKMAN.COM  
 R: 01-AUGUST 2019