

Classic Sensor Soap Dispenser

FEATURES:

- Brass construction with polished chrome finish
- Sensor eye near base of soap dispenser
- Set-up for both battery (4-D batteries) and AC operation (AC adaptor included)
- Low Arc spout
- 2000ml bottle included
- Switch for liquid soap, or foaming soap operation
- 1.0 second soap dispensing

STANDARDS:

- ADA compliant

WARRANTY:

Visit www.speakman.com for full product warranty information

- Limited Lifetime Warranty (consumer)
- 5 Year Limited Warranty (commercial)



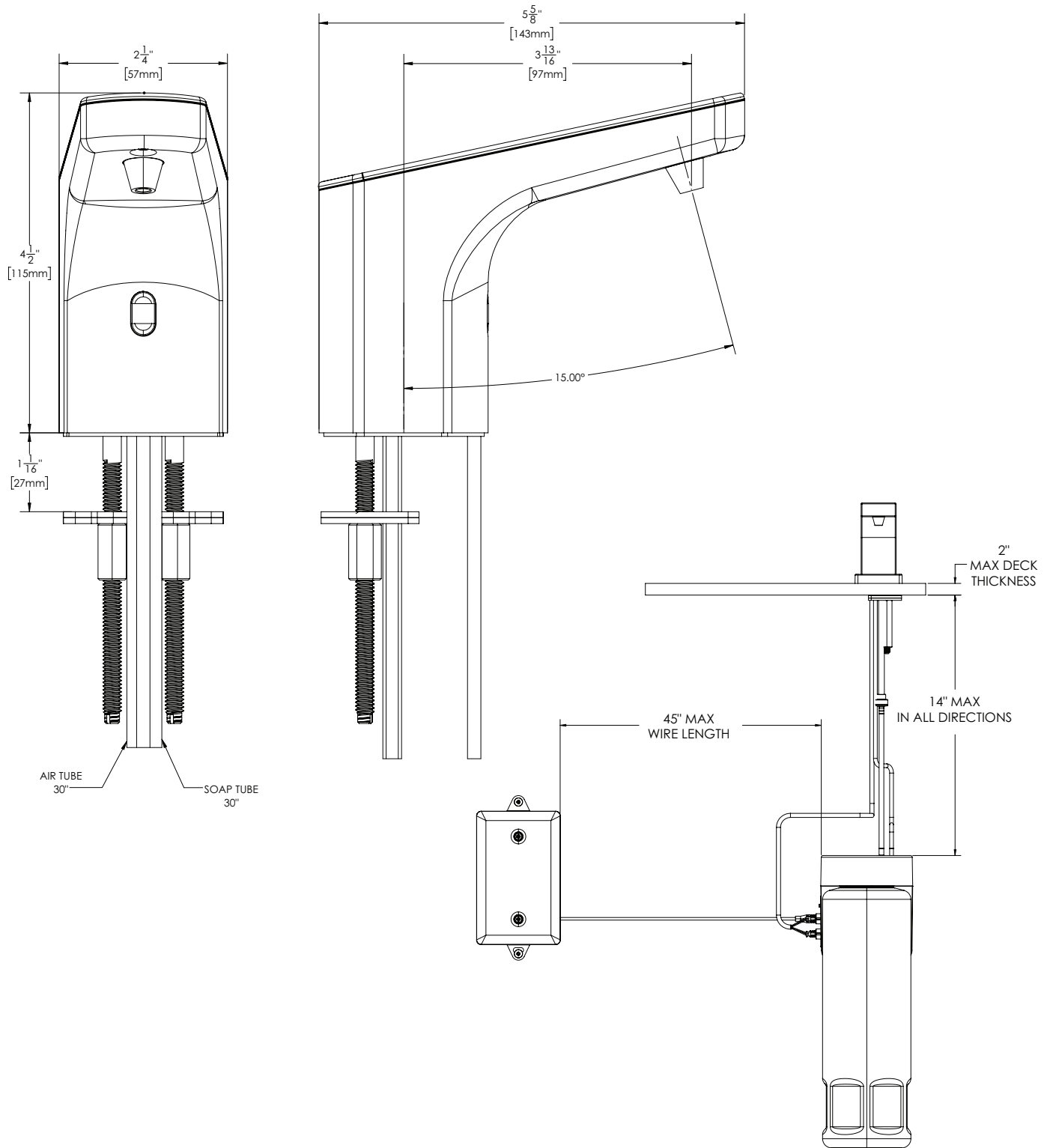
Information continues on next page

1. All dimensions are in inches (millimeters) unless otherwise specified and are subject to change without notice.

Architect/Engineer Approval Space:

P: 800-537-2107
F: 800-977-2747
W: WWW.SPEAKMAN.COM
R: 01-SEPTEMBER 2019

Classic Sensor Soap Dispenser



1. All dimensions are in inches (millimeters) unless otherwise specified and are subject to change without notice.

Architect/Engineer Approval Space:

P: 800-537-2107
 F: 800-977-2747
 W: WWW.SPEAKMAN.COM
 R: 01-SEPTEMBER 2019