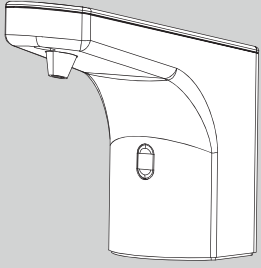


INSTRUCTIONS FOR MODELS

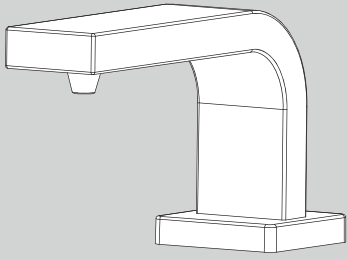
SFS-8000

Classic Sensor Soap Dispenser



SFS-9000

Designer Sensor Soap Dispenser



NEED HELP?

For additional assistance or service please contact:

SPEAKMAN®

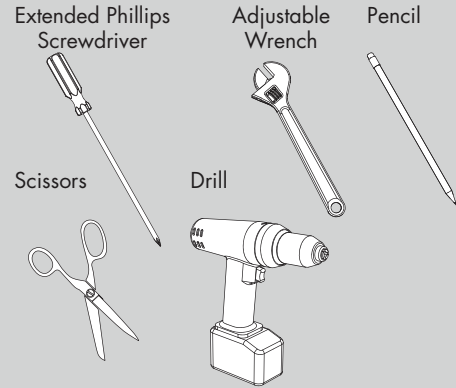
800-537-2107

customerservice@speakman.com

www.speakman.com

92-SFS-8000-01

TOOLS AND SUPPLIES



HELPFUL TOOLS & SUPPLIES:



IMPORTANT

- Do not over-tighten any connections or damage may occur.
- Be sure to read instructions thoroughly before beginning installation.
- This installation manual covers several models. While the appearance of your model may vary, the installation steps required are the same as shown in this manual.

SAFETY TIPS

Cover your drain to prevent loss of parts. Be sure to wear eye protection while cutting pipe.

FINISH MAINTENANCE

Your new Speakman Product is designed for years of trouble-free performance. Keep it looking new by cleaning it periodically with a soft cloth. Pay special attention to the nozzle area. Periodically clean the nozzle area to avoid soap residue build up. The use of harsh chemicals and abrasives may damage the finish and void the product warranty. Please be sure to only use approved cleaners. Please contact Speakman for any clarification of acceptable cleaners.

WARRANTY

Warranty information can be found at: www.speakman.com

1 Remove the Rubber Washer (1), Metal Washer (2) and Mounting Nut (3) from the threaded Shank.

2 Verify that the Rubber Gasket is in position and aligned to the base of the Faucet.

3 Place all hoses, sensor wire and threaded shank through the mounting hole one at a time. Take extra precautions to avoid pinching any wires. Lower Sensor Soap Dispenser into position.

4 From beneath, reinstall the Rubber Washer (1), Metal Washer (2) and Mounting Nut (3) to secure the Sensor Soap Dispenser. Align the Sensor Soap Dispenser to desired position and wrench tighten Mounting Nut (3). Verify that the wires are not pinched.

5 Place the Control Box (1) against the desired mounting surface while ensuring adequate clearance for servicing of all connections. If using the optional A/C Adapter, consider the distance to the nearest electrical outlet. Control Box should be mounted so the Soap and Air Outlet Ports are facing up.

14" MAX IN ALL DIRECTIONS

OPTIONAL AC ADAPTER

6 Mark Screw Hole mounting locations (X4) using a Mounting Screw (included) and an extended Phillips Screw Driver. Mount the Control Box onto the previously marked locations. If mounting on drywall and not to stud, use the appropriate anchors and fasteners for application. Recommend screw in EZ anchor or equal for drywall.

7 Align the SOAP and AIR tubes to the Control Box. Cut to length and press tubing over barbed fittings on Control Box.

WARNING: Running excessive tubing may lead to decrease in performance. Always keep tube length to minimum.

FILL/REFILLING SOAP

8 Open the Soap Bottle Lid by pulling the C Clip away.

9 Lift the Cap to access soap bottle.

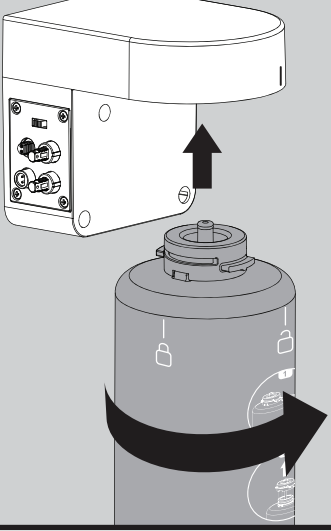
10 Pour Soap into the Soap Container. This Soap Dispenser will work with both Liquid Hand Soap and Foaming Hand Soap with a viscosity of < 2000cP.

11

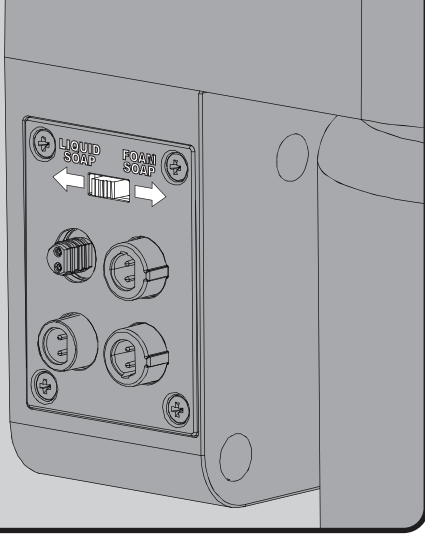
- After filling the soap bottle, align the cutout of the cap and close the bottle cap. Make sure the feed tube reaches all the way to the bottom of the bottle.
- Secure the Cap with the C Clip.

FILL/REFILLING SOAP

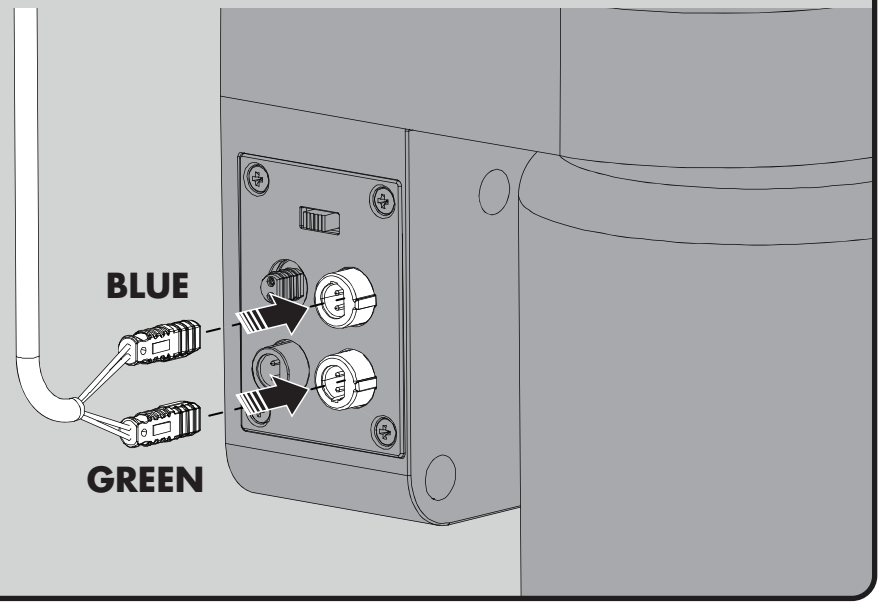
- 12** Align the UNLOCK Symbol of the Soap Bottle to the Vertical Line on the Control Box. Press upwards for engagement and rotate clockwise until the LOCK symbol of the Soap Bottle is aligned to the vertical line on the Control Box.



- 13** Select the proper Mode of the Sensor Soap Dispenser based on the soap filled. The Mode Switch button is located on the left side of the Control Box.

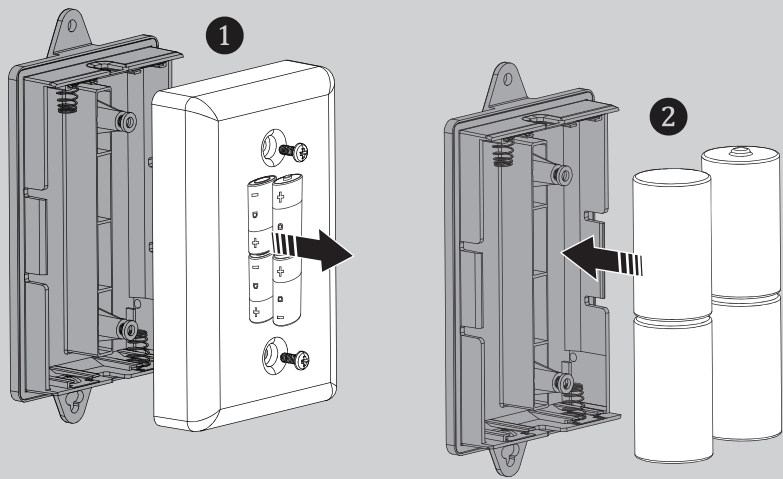


- 14** Make electrical connections from the Sensor Eye to the Control Box. Connect the Blue Male Ended Wire to the Blue Female Connection. Connect the Green Male Ended Wire to the Green Female Connection. To further aid proper alignment, there are white alignment lines on the connector ends. These alignment lines should face forward when properly installed.



15 FOR BATTERY POWER

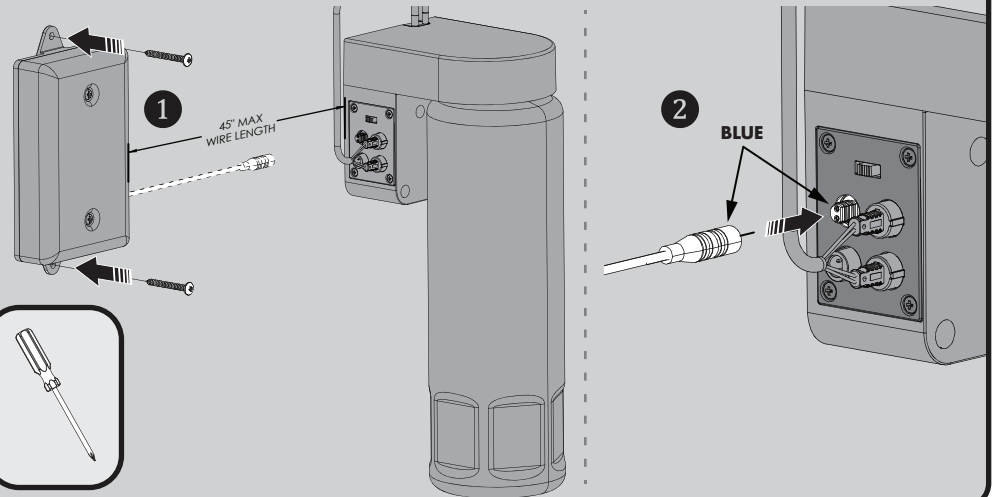
- Access the interior Battery Enclosure by unscrewing the two (X2) Screws using a Phillips Screwdriver (1).
- Insert or replace the batteries with four (X4) new standard 1.5v D size batteries. Ensure the position of the new batteries are aligned to the plus (+) and minus (-) symbols within the battery holder (2).



BATTERIES NOT INCLUDED

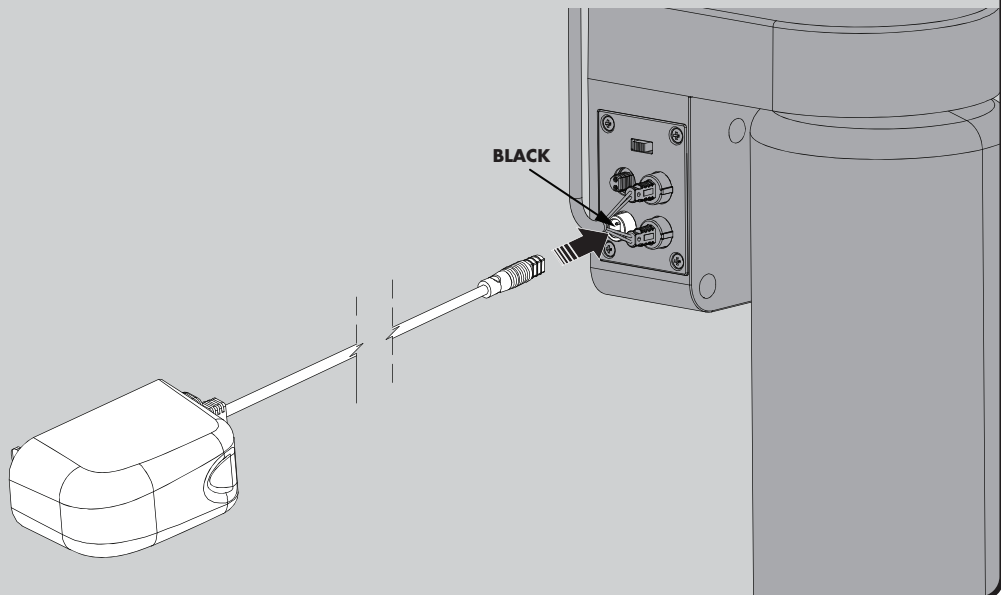
16 FOR BATTERY POWER

- Close the Battery Box by tightening the two (X2) Philips screws. Determine the desired location of the Battery Box, make sure the Connecting Wire is long enough to reach the Control Box. Mount the Control Box onto the previously marked location using a Phillips Screwdriver and two (X2) Mounting screws (included) (1). If mounting on drywall and not to stud, use the appropriate anchors and fasteners for application. Recommend screw in EZ anchor or equal for drywall.
- Connect the Blue Battery Connector to the Blue Male Connector on the side of the Control Box (2).

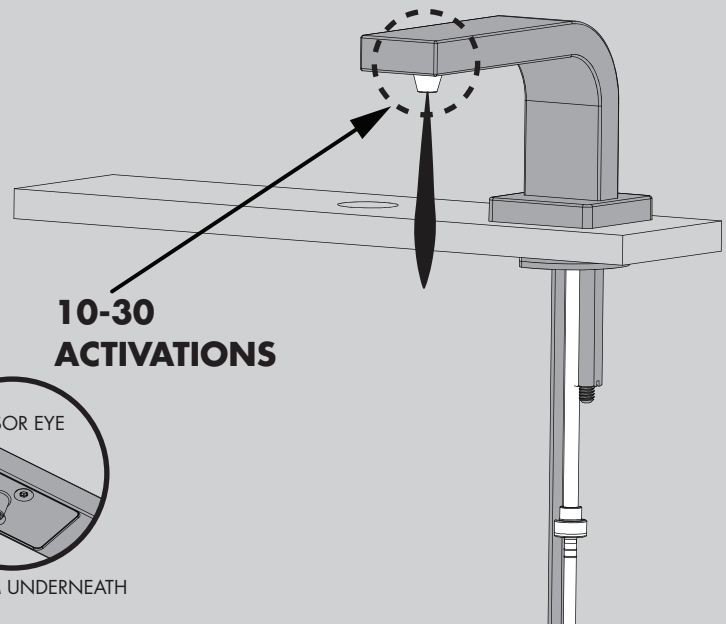


17 FOR A/C POWER

Disconnect and remove the Battery Box. Connect the A/C Adapter (included) to the Black Female Port on the Control Box. Plug the A/C Adapter into the wall outlet.



- 18** For first time use, or after soap refill, activate the Sensor Soap Dispenser repeatedly to prime the pump. It may take approximately 10-30 activations (depending on tube length) to get the pump primed. Check to make sure that there are no leaks.



VIEW FROM UNDERNEATH

SFS-8000 / SFS-9000 TROUBLESHOOTING

If your sensor soap dispenser has reduced performance:

- 1) Check to see if the soap bottle need refill.
- 2) Check to see if the soap feed tube in the soap bottle is pulling from the bottom of the bottle.
- 3) Check to see if any tube is clogged or bent. If it is clogged, clean all tubes with water.
- 4) If the bottle is refilled and issue continues, check the viscosity of the soap. This soap dispenser is only compatible with soap that has less than 2000cP viscosity.
- 5) If high viscosity soap use is desired, mix the soap with warm water to reduce viscosity.

If your sensor soap dispenser has completely stopped working:

- 1) Check to see if the soap bottle need refill.
- 2) Check to see if the soap bottle is correctly installed.
- 3) If battery power is used, replace batteries with new ones and try to reactivate the sensor soap dispenser.
- 4) Check to see if there is anything blocking the sensor. If there is then remove the subject and reactivate the sensor soap dispenser after 15s.
- 5) If nothing works, replace the control box with a new one.

SFS-8000 / SFS-9000 QUESTIONS & ANSWERS

Q. How does the Sensorflo® Soap dispenser work?

A. It uses laser technology. The Sensor emits a non-visible beam of light. When an object enters the detection area, the Sensor signals the pump(s) to operate for 1 second.

Q. Is the Sensorflo® sensor beam adjustable?

A. No, the Sensorflo® sensor beam is not adjustable. It has been factory set to factory specifications for these soap dispensers.

Q. What kind of soap can I use on the Sensor Soap Dispenser?

A. The Sensorflo® Soap Dispenser is designed to work with any hand soap that has a viscosity of < 2000cP.

Q. Do I have to use the foaming hand soap?

A. No. You can use either foaming hand soap or liquid hand soap. Just make sure you select the right mode on the control box.

Q. Does Sensorflo® reduce maintenance?

A. By elimination of on/off handles, control components are reduced and fittings stay cleaner longer. Only a light rinsing and wiping is required to restore the beauty of the Sensorflo® Soap Dispenser. Drip stains are eliminated. Fingerprints and soap spots on sinks and fittings are avoided. Finishes last longer and wash areas stay cleaner. Germs and bacteria are not transferred as easily making for a healthier environment.

Q. The chrome finish on my Faucet seems to be deteriorating. What can I do to prevent this from happening?

A. Many commercial cleaning products contain harsh chemicals and abrasives. These products should not be used on any chrome-plated plumbing products. Please use only mild soap and water to clean the Faucet. Dry immediately with a soft cloth.

Q. Is my Sensor Soap Dispenser protected from power surges?

A. Yes, Sensorflo® has been designed to have built-in power surge protection.

Q. If we lose power, do I have to do something to get the soap dispenser to operate again?

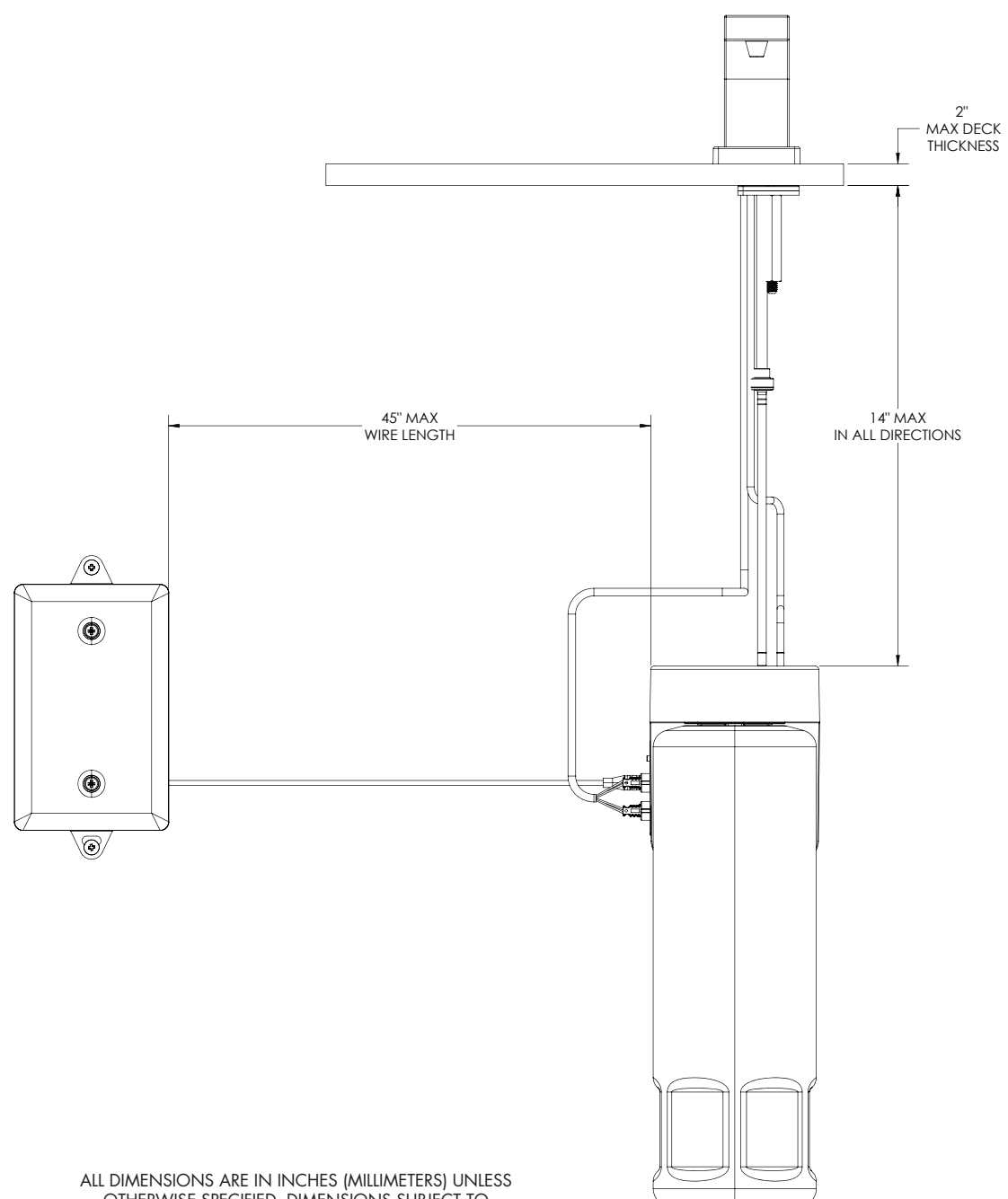
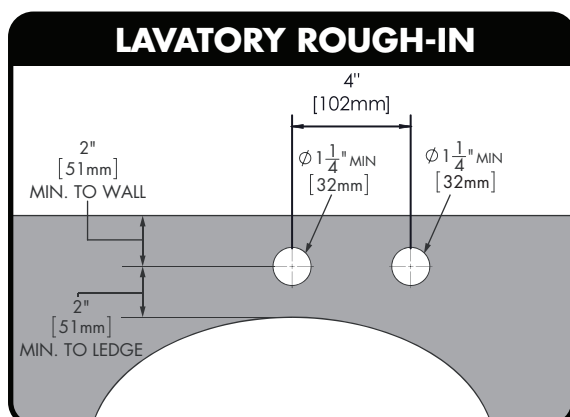
A. After a power outage, the soap dispenser is automatically ready for operation as soon as the power comes back on.

Q. If I call a plumber to come and install this Faucet, will they know enough to hook it up?

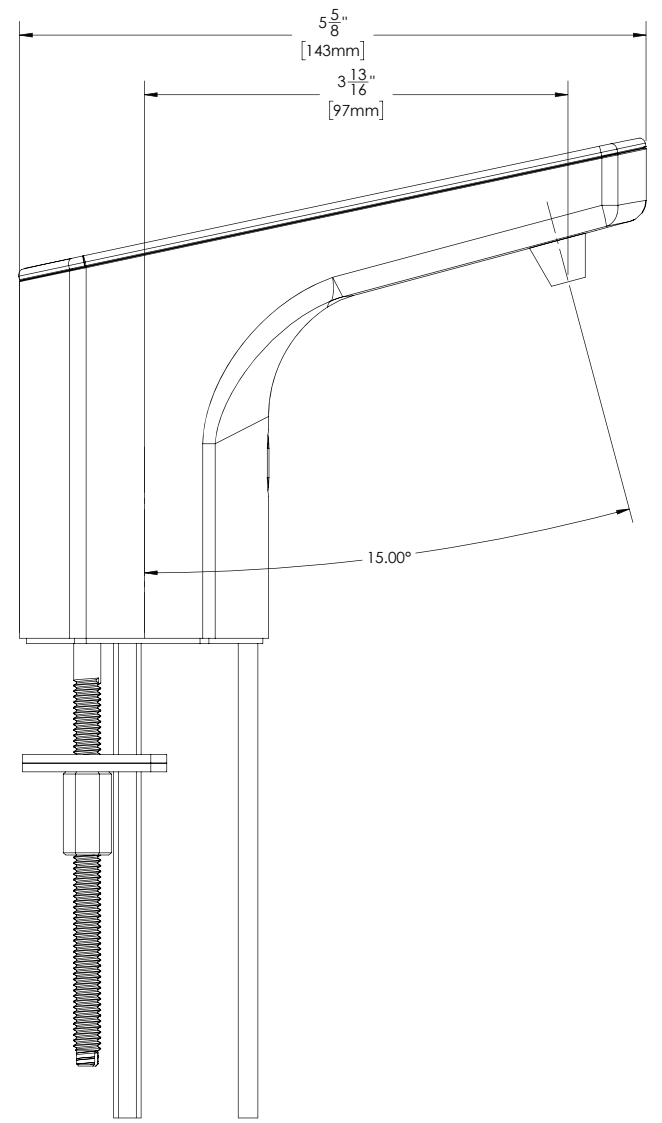
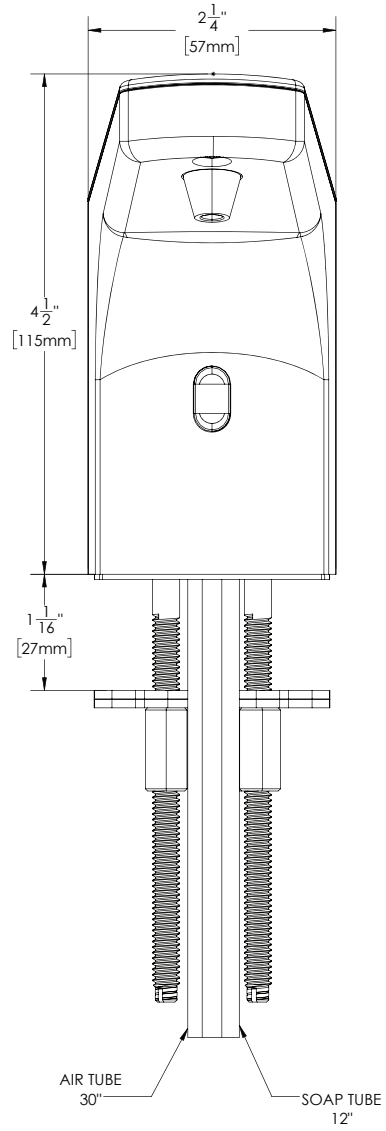
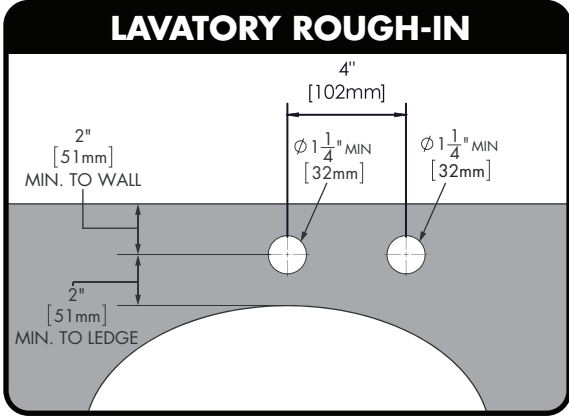
A. Our installation diagrams are very easy to follow.

SFS-8000 / SFS-9000 BELOW COUNTER ROUGH-IN DIAGRAM

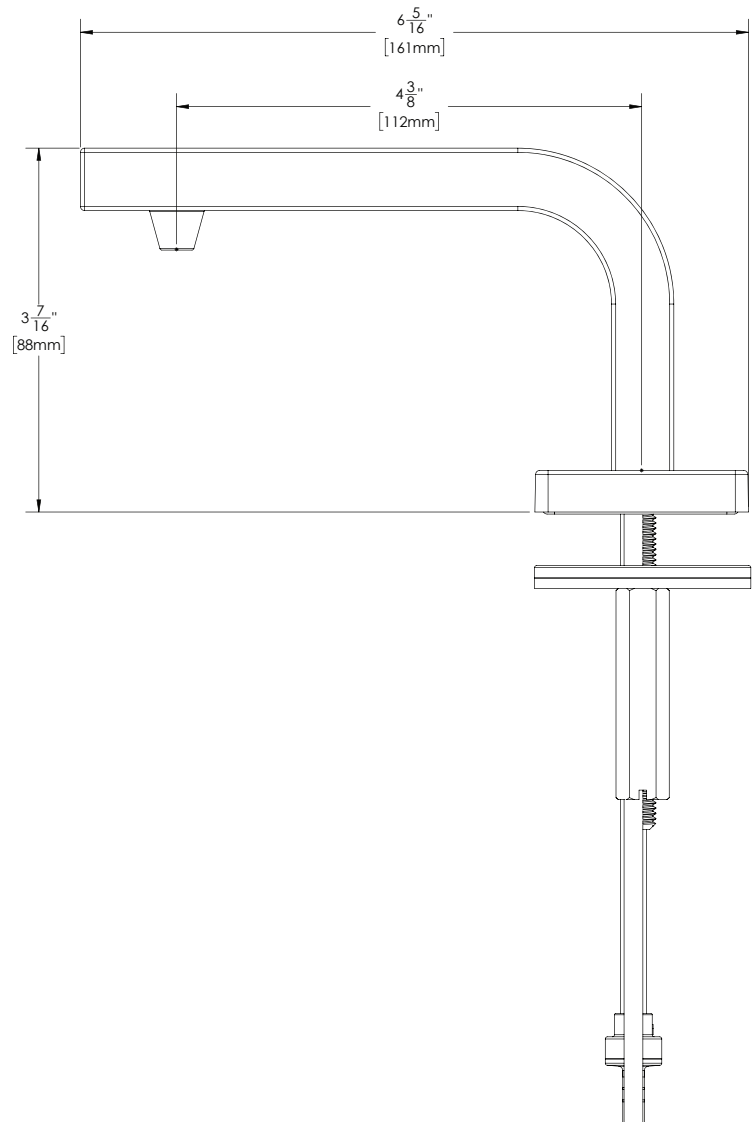
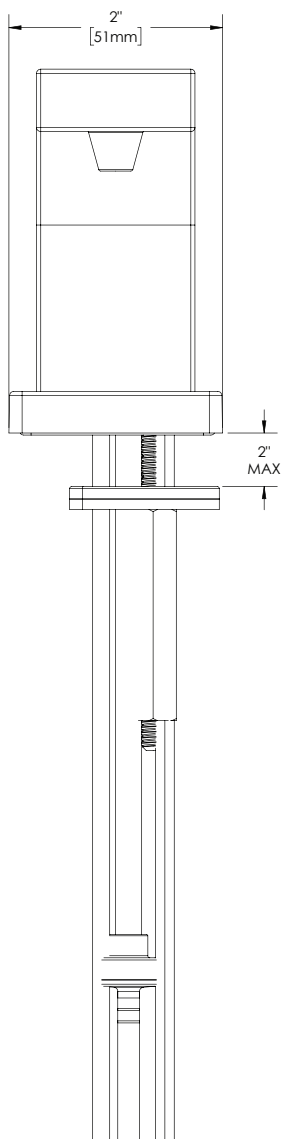
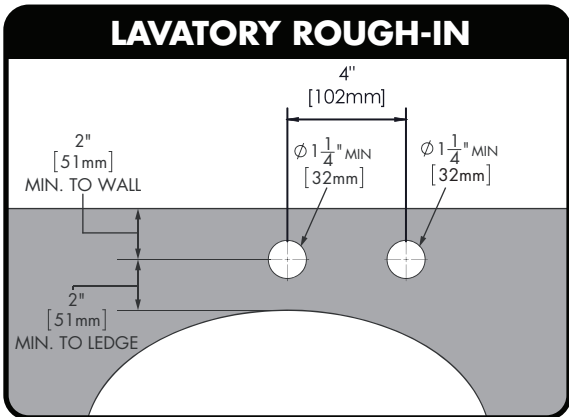
SPEAKMAN®



ALL DIMENSIONS ARE IN INCHES (MILLIMETERS) UNLESS OTHERWISE SPECIFIED. DIMENSIONS SUBJECT TO CHANGE WITHOUT NOTICE.



ALL DIMENSIONS ARE IN INCHES (MILLIMETERS) UNLESS OTHERWISE SPECIFIED. DIMENSIONS SUBJECT TO CHANGE WITHOUT NOTICE.



ALL DIMENSIONS ARE IN INCHES (MILLIMETERS) UNLESS OTHERWISE SPECIFIED. DIMENSIONS SUBJECT TO CHANGE WITHOUT NOTICE.