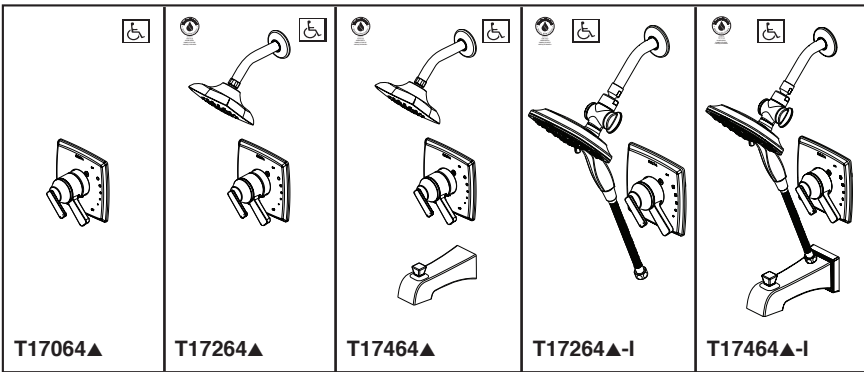




see what Delta can do™

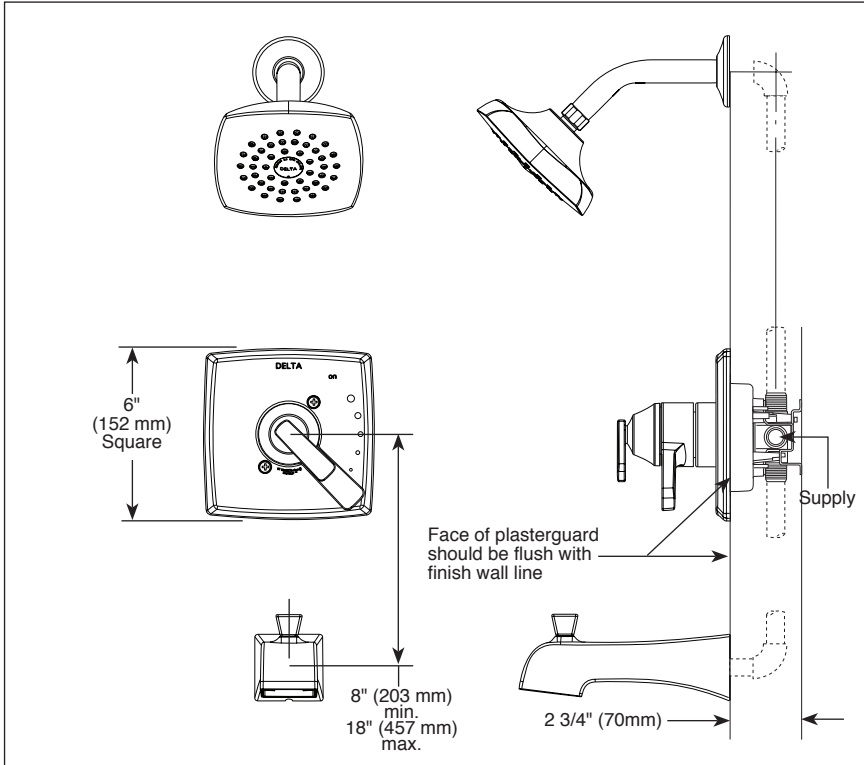
TUB AND SHOWER FAUCET TRIM

- Ashlyn® Bath Collection
- Valve Only (T17064 Series)
- Shower Only (T17264 & T17264-I Series)
- Tub/Shower (T17464 & T17464-I Series)



Submitted Model No.: _____

Specific Features: _____



FEATURES:

- Monitor® 17 Series pressure balanced bath mixing valve trim
- In2ition® available select models with -I suffix

STANDARD SPECIFICATIONS:

- Maintains a balanced pressure of hot and cold water even when a valve is turned on or off elsewhere in the system
- For use with MultiChoice® Universal rough valve body (R10000 Series)
- Back-to-back installation capability
- Solid brass forged body
- Lever volume control handle; temperature adjustment dial
- Field adjustable to limit handle rotation into hot water zone
- Maximum dial rotation adjustable between 90° and 180°
- All parts replaceable from the front of the valve
- Max flow rate 1.75 gpm @ 80 psi, 6.6 L/min @ 550 kPa
- Tub port maximum flow rate 6.2 gpm @ 60 psi with R10000-UNBX
- Shower arm overall horizontal length = 5 1/2" (138 mm), including threaded ends
- Red/blue pad print temperature indicators on handle
- Stem extension kit RP77992 can be ordered to allow for an additional 1 3/4" wall thickness. RP77992 ships with chrome escutcheon screws. For special finishes also order RP12630 escutcheon screws in desired finish.

WARRANTY

- Parts and Finish - Lifetime limited warranty; or for commercial purchasers, 10 years for multi-family residential (apartments and condominiums) and 5 years for all other commercial uses, in each case from the date of purchase.
- Electronic Parts and Batteries (if applicable) - 5 years from the date of purchase; or for commercial purchasers, 1 year from the date of purchase. No warranty is provided on batteries.

COMPLIES WITH:

- ASME A112.18.1 / CSA B125.1
- ASSE 1016
- Indicates compliance to ICC/ANSI A117.1 - Valve control only
- EPA WaterSense®

58498▲ In2uition® 2-In-1 Shower
1.75 GPM

5 1/2" (140 mm)
10 3/8" (264 mm)

Full Body Spray
Full Spray w/ Massage
Massaging Spray
Pause

RP64859▲ Touch-Clean® Raincan Shower Head
1.75 GPM

2 11/16" (68 mm)
5 1/4" (133 mm)

Full Spray

RP77091▲ (Pull-Up Diverter)

3 3/16" (81 mm)
7 15/16" (202 mm)

RP77992 Available Extension Kit

▲ Designate Proper Finish Suffix

Delta reserves the right (1) to make changes in specifications and materials, and (2) to change or discontinue models, both without notice or obligation. Dimensions are for reference only. See current full-line price book or www.deltafaucet.com for finish options and product availability.

Delta Faucet Company

55 E. 111th Street, Indianapolis, IN 46280
350 South Edgeware Road, St. Thomas, ON N5P 4L1
© 2020 Delta Faucet Company