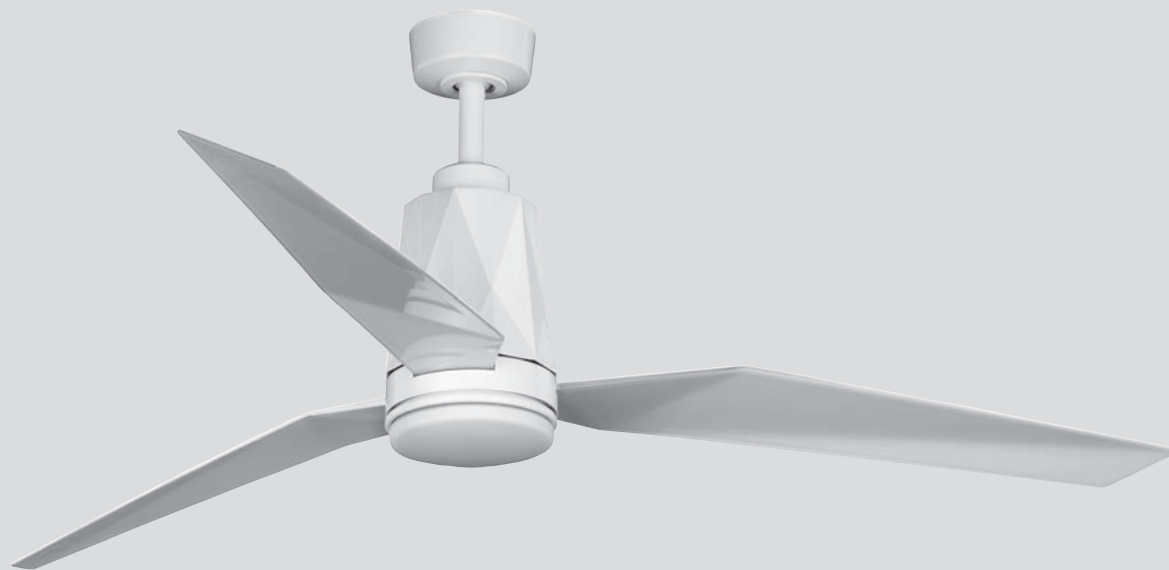




## Ceiling Fan Installation Manual



93114660\_B

**P250038**

# Limited Lifetime Warranty

Progress Lighting fan motors are warranted to the original purchaser to be free of electrical and/or mechanical defects for so long as the original purchaser owns the fan. Pull chain switches, reverse switches, capacitors and metal finishes are warranted to be free from defects in materials or workmanship for a period of 1 year from the date of purchase. Warping of wooden or plastic blades is not covered by this warranty nor is corrosion and/or deterioration of any finishes for fans installed within ten miles of any sea coast. Extended warranties for ENERGY STAR® qualified products may apply.

Progress Lighting ceiling fans with built-in LED light sources, when properly installed and under normal conditions of use, are warranted to be free from defects in material and workmanship which cause the light sources to fail to operate in accordance with the specifications for (i) five (5) years from the date of purchase on the LED Light modules and electrical components for fans used in single family residences, and (ii) three (3) years from the date of purchase on the LED Light modules and electrical components for fans used in multi-family or commercial applications. LED bulbs supplied by Progress Lighting carry no warranty other than manufacturer's warranty. Non-LED bulbs carry no warranty.

With proof of purchase, the original purchaser may return the defective fan to the place of purchase during the first 30 days for replacement. After 30 days, the original purchaser MUST contact Progress Lighting at (864) 678-1000 for repair or replacement which shall be determined in Progress Lighting's sole discretion and shall be purchaser's sole and exclusive remedy.

Labor and Shipping Excluded. This warranty does not cover any costs or fees associated with the labor (including, but not limited to, electrician's fees) required to install, remove, or replace a fan or any fan parts.

This warranty shall not apply to any loss or damage resulting from (i) normal wear and tear or alteration, misuse, abuse or neglect, or (ii) improper installation, operation, repair or maintenance by original purchaser or a third party, including without limitation improper voltage supply or power surge, use of improper parts or accessories, unauthorized repair (made or attempted) or failure to provide maintenance to the fan.

THE FOREGOING WARRANTIES STATE PROGRESS LIGHTING'S ENTIRE WARRANTY OBLIGATION AND ORIGINAL PURCHASER'S SOLE AND EXCLUSIVE REMEDY RELATED TO SUCH PRODUCTS. PROGRESS LIGHTING IS NOT RESPONSIBLE FOR DAMAGES (INCLUDING INDIRECT, SPECIAL, INCIDENTAL OR CONSEQUENTIAL), DUE TO PRODUCT FAILURE, WHETHER ARISING OUT OF BREACH OF WARRANTY, BREACH OF CONTRACT, OR OTHERWISE. THIS WARRANTY IS GIVEN IN LIEU OF ALL OTHER WARRANTIES, WHETHER EXPRESSED OR IMPLIED, INCLUDING THOSE OF MERCHANTABILITY, FITNESS FOR A PARTICULAR PURPOSE OR NONINFRINGEMENT.

Some states do not allow limitations on how long an implied warranty lasts or the exclusion or limitations of incidental or consequential damages, so the above limitations and exclusions may not apply to you. This warranty gives you specific rights and you may have other rights which vary from state to state.

Date Purchased \_\_\_\_\_

Store Purchased \_\_\_\_\_

Model No. \_\_\_\_\_

Serial No. \_\_\_\_\_

Vendor No. \_\_\_\_\_ 109226

785247240708

UPC  785247242726



Safety Rules.....	1.
Unpacking Your Fan .....	2.
Installing Your Fan .....	3.
Installing the Light Kit and Glass Shade .....	8.
Operating Your Transmitter .....	9.
Care of Your Fan .....	11.
Troubleshooting .....	12.
Specifications .....	13.

## *Table of Contents*

1. To reduce the risk of electric shock, ensure electricity has been turned off at the circuit breaker or fuse box before beginning.
2. All wiring must be in accordance with the National Electrical Code “ANSI/NFPA 70-1999” and local electrical codes. Electrical installation should be performed by a qualified licensed electrician.
3. The outlet box and support structure must be securely mounted and capable of reliably supporting a minimum of 35 lbs (15.9 kg) or less. Use only cUL-listed outlet boxes marked “FOR FAN SUPPORT.”
4. The fan must be mounted with a minimum of 7 ft. (2.1m) clearance from the trailing edge of the blades to the floor.
5. Avoid placing objects in the path of the blades.
6. To avoid personal injury or damage to the fan and other items, be cautious when working around or cleaning the fan.
7. Do not use water or detergents when cleaning the fan or fan blades. A dry dust cloth or lightly dampened cloth will be suitable for most cleaning.
8. After making electrical connections, spliced conductors should be turned upward and pushed carefully up into the outlet box. The wires should be spread apart with the grounded conductor and the equipment-grounding conductor on one side of the outlet box and ungrounded conductor on the other side of the outlet box.
9. All set screws must be checked and retightened where necessary before installation.
10. Suitable for use with solid-state speed control.
11. This device contains licence-exempt transmitter(s)/receiver(s) that comply with innovation, Science and Economic Development Canada’s licence-exempt RSS(s). Operation is subject to the following two conditions:
  - (1) This device may not cause interference.
  - (2) This device must accept any interference, including interference that may cause undesired operation of the device.

#### **WARNING**

TO REDUCE THE RISK OF PERSONAL INJURY, DO NOT BEND THE BLADE ARMS (ALSO REFERRED TO AS FLANGES), WHEN INSTALLING THE BRACKETS, BALANCING THE BLADES OR CLEANING THE FAN. DO NOT INSERT FOREIGN OBJECTS IN – BETWEEN ROTATING FAN BLADES.

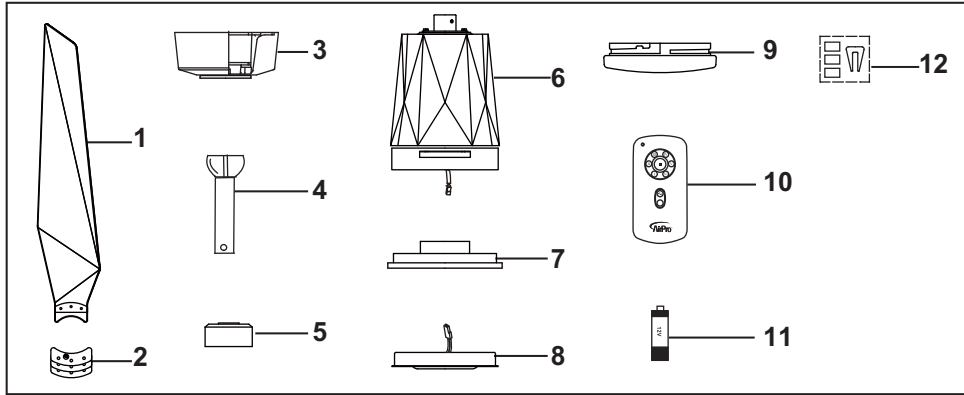
#### **WARNING**

TO REDUCE THE RISK OF FIRE, ELECTRIC SHOCK, OR OTHER PERSONAL INJURY, MOUNT FAN ONLY ON AN OUTLET BOX OR SUPPORTING SYSTEM MARKED ACCEPTABLE FOR FAN SUPPORT OF 35 LBS (15.9 KG) OR LESS AND USE MOUNTING SCREWS PROVIDED WITH THE OUTLET BOX. MOST OUTLET BOXES COMMONLY USED FOR THE SUPPORT OF LIGHTING FIXTURES ARE NOT ACCEPTABLE FOR FAN SUPPORT AND MAY NEED TO BE REPLACED. CONSULT A QUALIFIED ELECTRICIAN IF IN DOUBT.

#### **NOTE**

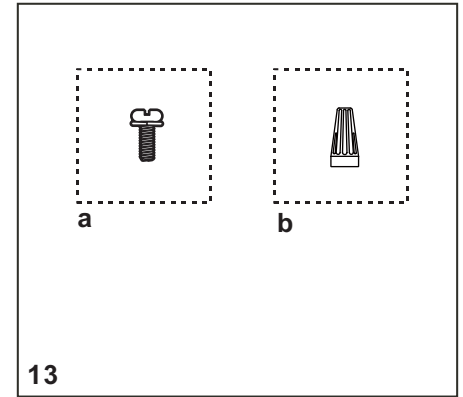
READ AND SAVE THESE INSTRUCTIONS

## *1. Safety Rules*



Unpack your fan and check the contents. You should have the following items:

- |                             |  |
|-----------------------------|--|
| 1. Fan blades (3)           | 7. Mounting plate                                |
| 2. Blade support plates (3) | 8. 24 Watt LED light kit                         |
| 3. Canopy assembly          | 9. Glass shade                                   |
| 4. Ball/downrod assembly    | 10. Transmitter incl. holder + 2 mounting screws |
| 5. Coupling cover           | 11. 12V battery                                  |
| 6. Fan motor assembly       | 12. Balancing kit                                |



13. Loose parts bag containing:
- a. Blade attachment hardware**  
(10 screws with lock washers)
  - b. Mounting hardware**  
Wire nuts (3)

*Unpacking Your Fan 2.*

## Tools Required

Phillips screw driver, straight slot screw driver, adjustable wrench, step ladder, and wire cutters.

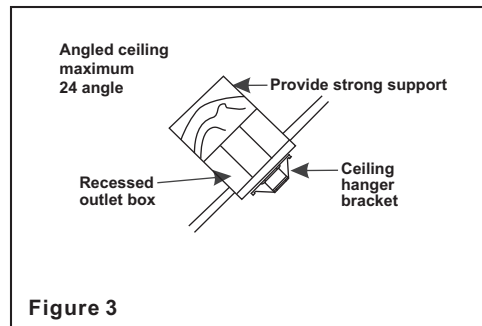
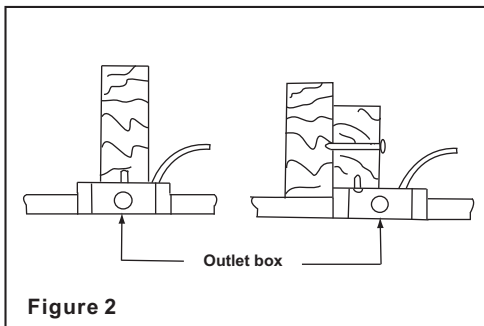
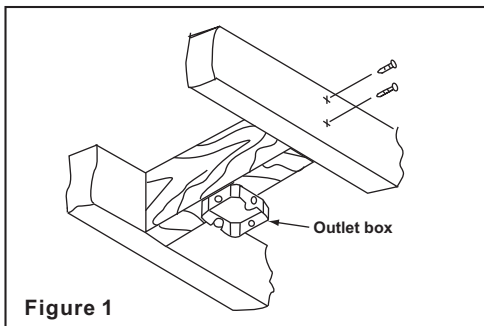
## Mounting Options

If there isn't an existing cUL listed mounting box, then read the following instructions. Disconnect the power by removing fuses or turning off circuit breakers.

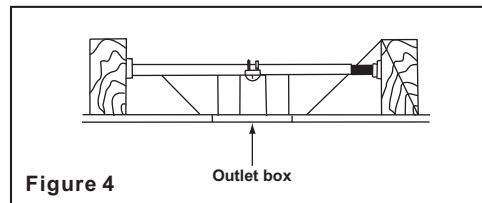
Secure the outlet box directly to the building structure. Use appropriate fasteners and building materials. The outlet box and its support must be able to fully support the moving weight of the fan (at least 35 lbs). Do not use plastic outlet boxes.

### WARNING

TO REDUCE THE RISK OF FIRE, ELECTRIC SHOCK, OR OTHER PERSONAL INJURY, MOUNT FAN ONLY TO AN OUTLET BOX MARKED ACCEPTABLE FOR FAN SUPPORT AND USE THE MOUNTING SCREWS PROVIDED WITH THE OUTLET BOX. OUTLET BOXES COMMONLY USED FOR THE SUPPORT OF LIGHTING FIXTURES MAY NOT BE ACCEPTABLE FOR FAN SUPPORT AND MAY NEED TO BE REPLACED. CONSULT A QUALIFIED ELECTRICIAN IF IN DOUBT.



**Note:** You may need a longer downrod to maintain proper blade clearance when installing on a steep, sloped ceiling.



To hang your fan where there is an existing fixture but no ceiling joist, you may need an installation hanger bar as shown in Figure 4 (available at your Progress Lighting Retailer).

# 3. Installing Your Fan

## Hanging the Fan

**REMEMBER** to turn off the power. Follow the steps below to hang your fan properly:

**Step 1.** Remove the decorative canopy bottom cover from the canopy by turning the cover counter clockwise.(Fig. 5)

**Step 2.** Remove the mounting bracket from the canopy by removing the 1 of 2 screws from the bottom of the mounting bracket and loosening the other one a half turn from the screw head. Next, turn the canopy counter clockwise to removing the mounting bracket from the canopy. (Fig. 5)

**Step 3.** Pass the 120-volt supply wires through the center hole in the ceiling hanger bracket as shown in Fig. 6.

**Step 4.** Secure the hanger bracket to the ceiling outlet box with the screws and washers provided with your outlet box.

**Step 5.** Remove the hanger pin, lock pin and set screws from the top of the motor assembly. (Fig. 7)

**Step 6.** Route the safety cable and wires exiting from the top of the fan motor through the coupling cover, canopy cover and canopy and then through the ball / downrod. (Fig. 7)

**Step 7.** Align the holes at the bottom of the downrod with the holes in the collar on top of the motor housing (Fig. 7). Carefully insert

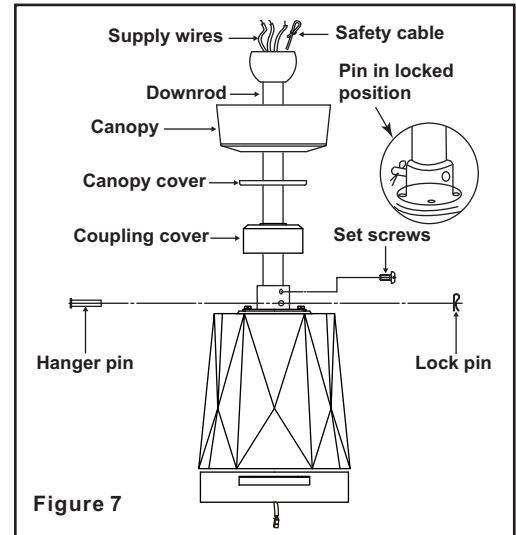
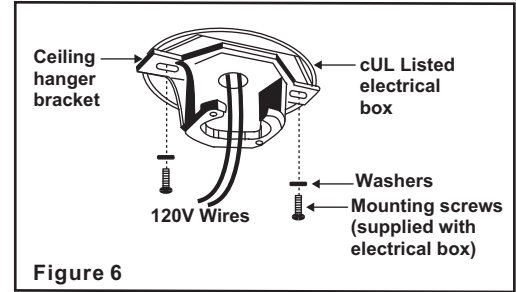
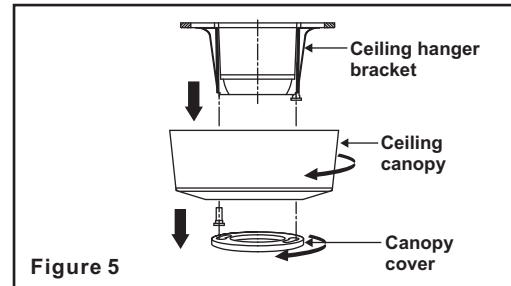
the hanger pin through the holes in the collar and downrod. Be careful not to jam the pin against the wiring inside the downrod. Insert the locking pin through the hole near the end of the hanger pin until it snaps into its locked position, as noted in the circle inset of Fig. 7.

**WARNING**  
FAILURE TO PROPERLY INSTALL  
LOCKING PIN AS NOTED IN STEP 7  
COULD RESULT IN FAN LOOSENING AND  
POSSIBLY FALLING.

**Step 8.** Tighten two set screws on top of the fan motor firmly. (Fig. 7)

**Step 9.** Place the downrod ball into the hanger bracket socket. (Fig. 8)

**Step 10.** Secure the safety cable to the building structure with a wood screw. (wood screw not supplied) (Fig. 8)



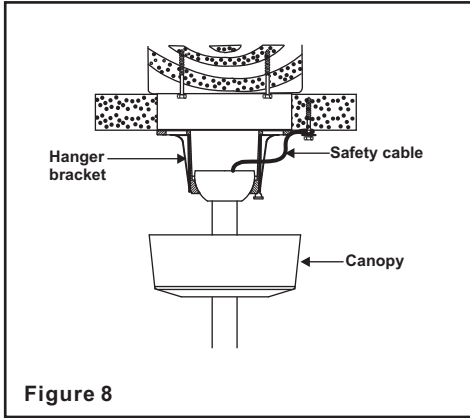


Figure 8

## Make the Electrical Connections

**WARNING:** To avoid possible electrical shock, be sure electricity is turned off at the main fuse box before wiring.

**Step 1.** Motor to House Supply Wires Electrical Connections: Connect the WHITE wire (Neutral) from the outlet box to the WHITE wire marked "AC in N" from the motor. (Fig. 9)

**Step 2.** Connect the BLACK wire (Hot) from the outlet box to the BLACK wire marked "AC in L" from the motor. (Fig. 9)

Secure all wire connections with the plastic wire nuts provided.

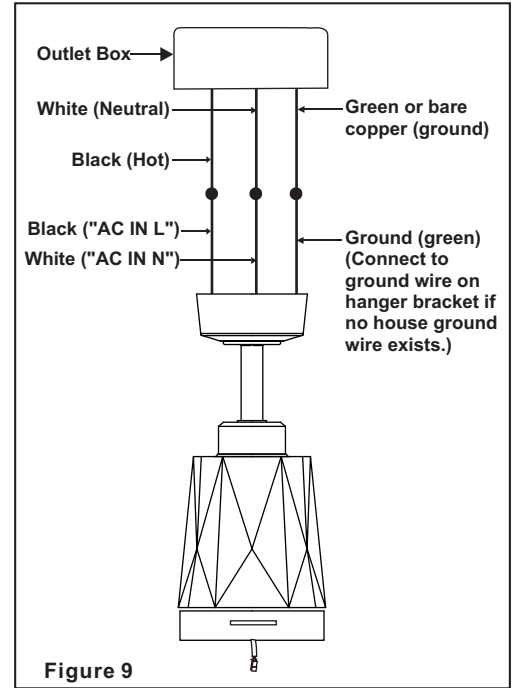


Figure 9



## Finishing the Installation

**Step 1.** Tuck connections neatly into ceiling outlet box.

**Step 2.** Slide the canopy up to mounting bracket and place the key hole on the canopy over the screw on the mounting bracket, turn canopy until it locks in place at the narrow section of the key holes. (Fig. 10)

**Step 3.** Align the circular hole on canopy with the remaining hole on the mounting bracket, secure by tightening the two set screws. Note: Adjust the canopy screws as necessary until the canopy and canopy cover are snug.

### WARNING

Make sure the notch on the hanging bracket properly sits in the groove in the hanger ball before attaching the canopy to the bracket by turning the housing until it drops into place.

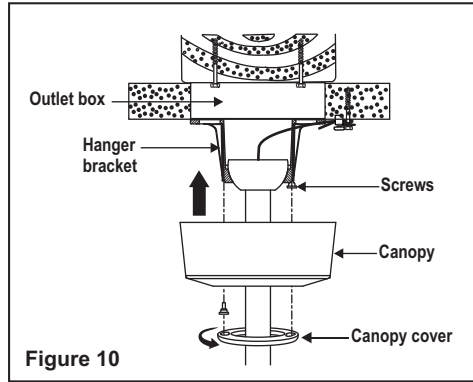


Figure 10

## Attaching the Fan Blades

**Step 1.** Insert the blade through the slot in the housing. Align the holes in the blade and the fan motor assembly and secure with the blade support and blade screw with lock washer. (Fig. 11)

**Step 2.** Repeat these steps for the remaining blades.

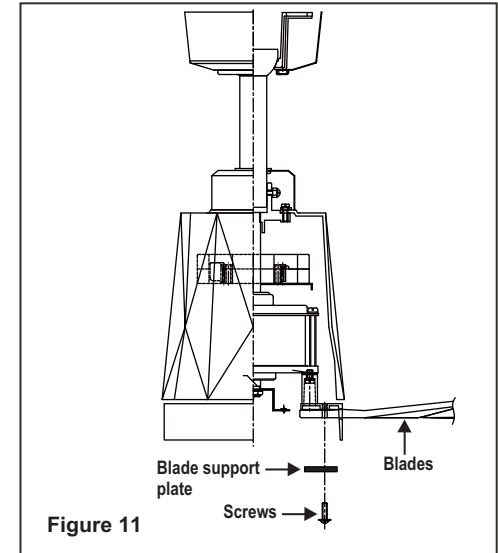


Figure 11

## Blade Balancing

All blades are grouped by weight. The fan may wobble even though the blades are weighed equally.

The following procedure should correct most fan wobbling problems. Check after each step.

1. Check that all blade and blade arm screws are secure.
2. Most fan wobbling problems are caused when blade levels are unequal. Check this level by selecting a point on the ceiling above the tip of one of the blades. Measure this distance as shown in Figure 12. Rotate the fan until the next blade is positioned for measurement. Repeat for each blade. The distance deviation should be equal within  $1/8$ ".
3. Use the enclosed Blade Balancing Kit if the blade wobble is still noticeable.
4. If the blade wobble is still noticeable, interchanging two adjacent (side by side) blades can redistribute the weight and possibly result in smoother operation.

**WARNING**  
TO REDUCE THE RISK OF PERSONAL INJURY, DO NOT BEND THE BLADE HOLDERS WHILE INSTALLING, BALANCING THE BLADES, OR CLEANING THE FAN. DO NOT INSERT FOREIGN OBJECTS BETWEEN ROTATING FAN BLADES.

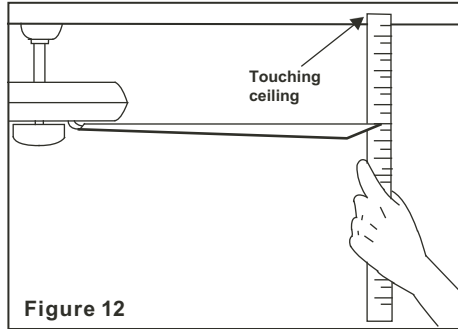


Figure 12

**CAUTION:** Before starting installation, disconnect the power by turning off the circuit breaker or removing the fuse at fuse box. Turning power off using the fan switch is not sufficient to prevent electric shock.

**Step 1.** Remove 1 of 3 screws from the posts of the mounting ring and keep it for future use. Loosen the other 2 screws. (Do not remove)

**Step 2.** Place the key holes in the mounting plate over the two screws previously loosened from the mounting ring. Turn the mounting plate until the decorative cover locks in place at the narrow section of the key holes. (Fig. 13)

**Step 3.** Securely tighten the two mounting screws previously loosened and the one previously removed.

**Step 4.** While holding the LED light kit under the fan motor assembly, make the 2-pin wire connections: (Fig. 14)  
- White to white - Black to black

**Step 5.** Remove 1 of 3 screws from the posts of the mounting plate and keep it for future use. Loosen the other 2 screws. (Do not remove)

**Step 6.** Place the key holes in the LED light kit over the two mounting screws previously loosened from the mounting plate). Turn the LED light kit until the light kit locks in place at

the narrow section of the key holes. Secure by tightening the two light kit mounting screws previously loosened and the one previously removed. (Fig. 14)

**Step 7.** Raise glass shade up against the light kit and secure it to fan by turning glass clockwise until snug. DO NOT OVERTIGHTEN.

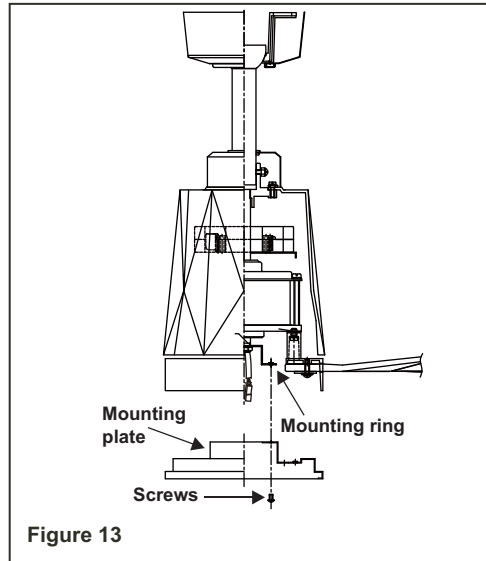


Figure 13

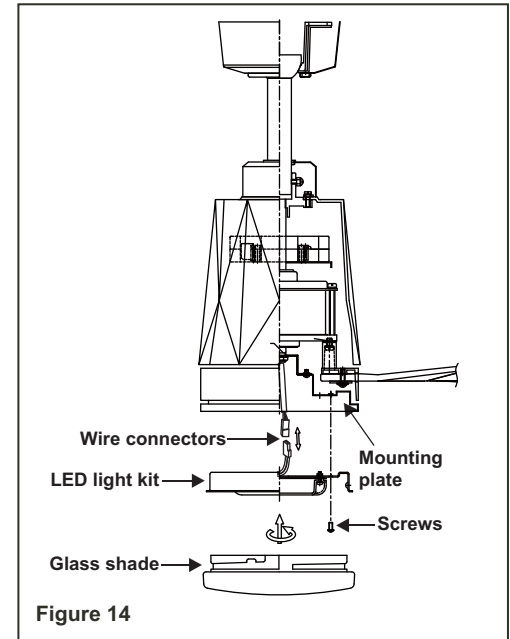


Figure 14

*Installing the Light Kit and Glass Shade 8.*

## Installing the battery

Install a 12V battery (included) into the remote control. To prevent damage to the remote control, remove the battery if not used for long periods. (Fig. 15)

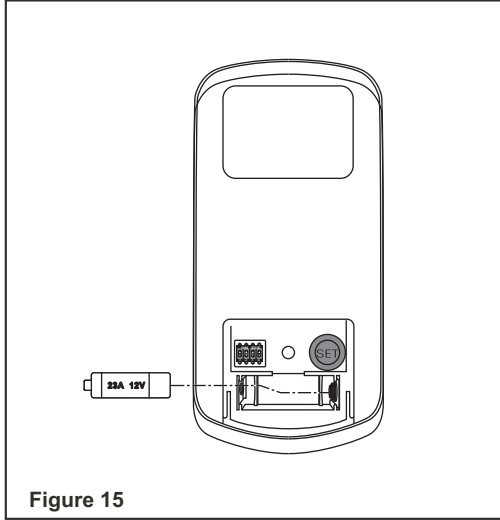


Figure 15

Remote Control Button Definitions: (Fig. 16)

These six buttons are used to set the fan speed as follows:

I = minimum speed

II = low speed

III = medium low speed

IV = medium speed

V = medium high speed

VI = high speed

■ button: Turns the fan off.

⊙ button: Controls fan direction.

☾ button: Controls light. Switch the “D” and “ON” dip switch on the back of transmitter to decide the light in “ON/OFF” or “Dimmable” condition. (Fig. 17)

Your DC brushless motor is equipped with an automatically learned type remote control. There are no frequency switches on the receiver; the receiver unit will automatically scan the frequency from the remote control if any changes are made. The frequency settings on the transmitter should be changed **ONLY in case of interference or if a second or more ceiling fans with the same type of control system are installed in the same structure.**

### Setting the Remote Control

Follow the below steps to set the remote control:

The auto learning function will only mandate within 60 seconds when turning the fan’s AC power ON.

a) Select desired frequency from the transmitter. The dip switches can be set to 16 different combinations. (Fig. 17)

b) From the back of the transmitter, with the fan’s power off, restore power to the fan. Press and hold “SET” button for about 5 seconds and release. If optional light kit is installed, the light kit will flash twice and the signal light on the hand held transmitter will come on when the button is pressed. The fan has completed the pairing process with the remote control and is ready for use. (Fig. 17)

**NOTE:** If the self calibration test failed, turn the AC power off; restore power and process the self calibration test again.

**NOTE:** During self calibration test, the remote is non-functional.

**NOTE:** The learning frequency function and self calibration test will continue to retain the last set frequency and calibration set even when the AC power is shut off. If the frequency is changed the self calibration test will occur again.

Over 80W protection: When the receiver detects motor power consumption which is greater than 80W, the receiver power will be stopped and operation will immediately discontinue. Wait for 5 seconds and then turn the receiver power back on.

## 9. Operating Your Transmitter

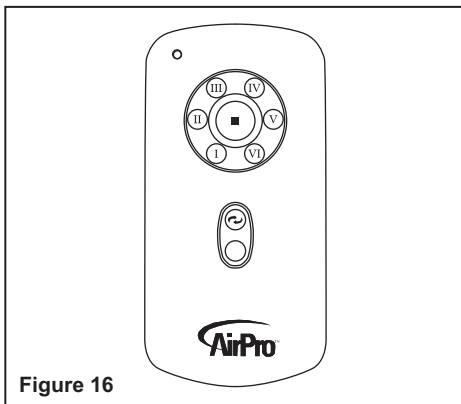


Figure 16

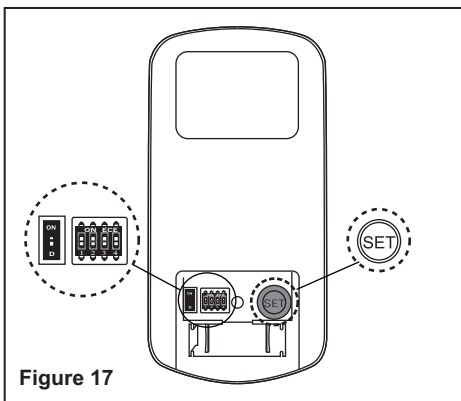


Figure 17

Speed settings for warm or cool weather depend on factors such as the room size, ceiling height, number of fans and so on.

**NOTE:** To operate the reverse function on this fan, press the reverse button while the fan is running.

Warm weather - (Forward) A downward airflow creates a cooling effect as shown in Fig. 18. This allows you to set your air conditioner on a warmer setting without affecting your comfort.

Cool weather - (Reverse) An upward airflow moves warm air off the ceiling area as shown in Fig. 19. This allows you to set your heating unit on a cooler setting without affecting your comfort.

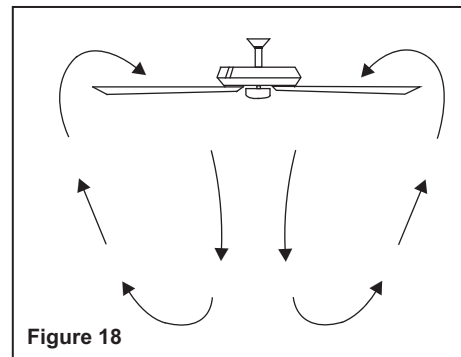


Figure 18

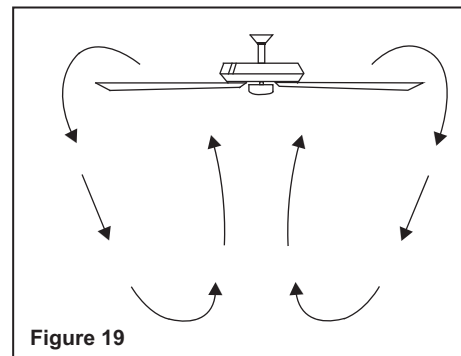


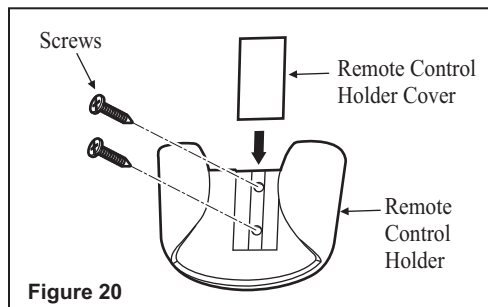
Figure 19

## Installing the Remote Control Holder

**Step 1.** Remove the remote control holder cover from the remote control holder.

**Step 2.** Attach the remote control holder with the two remote control holder mounting screw provided. (Fig. 20)

**Step 3.** Replace the remote control holder cover into remote control holder.



Here are some suggestions to help you maintain your fan

1. Because of the fan's natural movement, some connections may become loose. **Check the support connections, brackets, and blade attachments twice a year.** Make sure they are secure. **(It is not necessary to remove fan from ceiling.)**

2. Clean your fan periodically to help maintain its new appearance over the years. Use only a soft brush or lint-free cloth to avoid scratching the finish. The plating is sealed with a lacquer to minimize discoloration or tarnishing. Do not use water when cleaning. This could damage the motor or possibly cause an electrical shock.

3. **There is no need to oil your fan.** The motor has permanently lubricated bearings.

**IMPORTANT**  
MAKE SURE THE POWER IS OFF AT THE ELECTRICAL PANEL BOX BEFORE YOU ATTEMPT ANY REPAIRS. REFER TO THE SECTION "MAKING ELECTRICAL CONNECTIONS".

## 11. Care of Your Fan

## Problem

## Solution

Fan will not start.

1. Check circuit fuses or breakers.
2. Check line wire connections to the fan and switch wire connections in the switch housing.  
**CAUTION:** Make sure main power is off.

Fan sounds noisy.

1. Make sure all motor housing screws are snug.
2. Make sure the screws that attach the fan blade bracket to the motor hub is tight.
3. Make sure wire nut connections are not rubbing against each other or the interior wall of the switch housing.  
**CAUTION:** Make sure main power is off.
4. Allow a 24-hour "breaking-in" period. Most noise associated with a new fan disappear during this time.
5. If using an optional light kit, make sure the screws securing the glassware are tight. Check that light bulb is also secure.
6. Some fan motors are sensitive to signals from solid-state variable speed controls. If you have installed this type of control, choose and install another type of control.
7. Make sure the upper canopy is a short distance from the ceiling. It should not touch the ceiling.

Fan has lost its programming repeatedly.

1. Turn the AC power off to fan, and re-do steps for programming on page 9.
2. Do not turn off fan from standard wall switch. Use only our wall switch or your remote to regulate fan.

*Troubleshooting 12.*

Fan Size	Speed	Volts	Amps	Watts	RPM	CFM	N.W.	G.W.	C.F.
60"	Low	120	0.046	1.98	49	2129.74	14.55 lbs	16.88 lbs	1.70'
	High	120	0.45	32.08	149	6846.39			

These are approximate measures. They do not include Amps and Wattage used by the light kit.

This device complies with part 15 of the FCC Rules. Operation is subject to the following two conditions: (1) This device may not cause harmful interference, and (2) this device must accept any interference received, including interference that may cause undesired operation.

**Warning:** Changes or modifications to this unit not expressly approved by the party responsible for compliance could void the user's authority to operate the equipment.

**NOTE:** This equipment has been tested and found to comply with the limits for a Class B digital device, pursuant to Part 15 of the FCC Rules. These limits are designed to provide reasonable protection against harmful interference in a residential installation. This equipment generates, uses and can radiate radio frequency energy and, if not installed and used in accordance with the instructions, may cause harmful interference to radio communications.

However, there is no guarantee that interference will not occur in a particular installation. If this equipment does cause harmful interference to radio or television reception, which can be determined by turning the equipment off and on, the user is encouraged to try to correct the interference by one or more of the following measures:

- Reorient or relocate the receiving antenna.
- Increase the separation between the equipment and receiver.
- Connect the equipment into an outlet on a circuit different from that to which the receiver is connected.
- Consult the dealer or an experienced radio/TV technician for help.

## *13. Specifications*

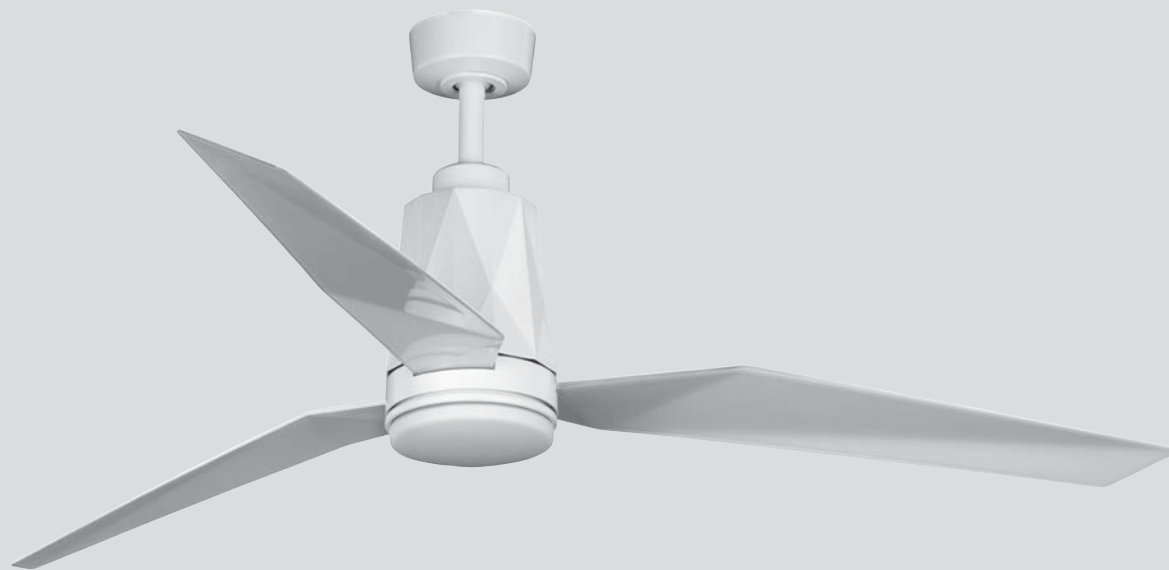
©2019 Progress Lighting, Inc.  
701 Millennium Blvd.,  
Greenville, SC 29607  
All Rights Reserved



**PROGRESS**  
LIGHTING™

**AirPro®**

## Manuel d'installation du ventilateur de plafond



93114660\_B

**P250038**

# Garantie à vie limitée

Progress Lighting garantit à l'acheteur initial que les moteurs de ventilateur sont exempts de défauts électriques ou mécaniques tant que l'acheteur initial est propriétaire du ventilateur. Les interrupteurs à chaînette, les interrupteurs inverseurs, les condensateurs et les finis métalliques sont garantis contre les défauts de matériaux ou de fabrication pendant une période d'un an à partir de la date d'achat. Le gauchissement des pales de bois ou de plastique n'est pas couvert par la présente garantie, ni la corrosion ou la détérioration du fini des ventilateurs installés à moins de dix milles d'un bord de mer. Les garanties prolongées pour les produits homologués ENERGY STAR® peuvent s'appliquer.

Lorsqu'ils sont installés correctement et dans des conditions d'utilisation normales, les ventilateurs de plafond Progress Lighting dotés d'une source lumineuse à DEL intégrée sont garantis contre les défauts de matériaux et de fabrication causant le non fonctionnement de la source lumineuse selon les spécifications pendant (i) cinq (5) ans à partir de la date d'achat des modules d'éclairage à DEL et des composants électriques des ventilateurs pour les résidences unifamiliales et (ii) trois (3) ans à partir de la date d'achat des modules d'éclairage à DEL et des composants électriques des ventilateurs pour les résidences multifamiliales et pour les utilisations commerciales. Les ampoules à DEL fournies par Progress Lighting ne sont assorties d'aucune autre garantie que celle du fabricant. Les ampoules autres qu'à DEL ne sont assorties d'aucune garantie.

En fournissant la preuve d'achat, l'acheteur initial peut retourner le ventilateur défectueux à son lieu d'achat pendant les 30 premiers jours afin qu'il soit remplacé. Après 30 jours, l'acheteur initial DOIT communiquer avec Progress Lighting au 864 678-1000 pour la réparation ou le remplacement du ventilateur, ce qui sera déterminé exclusivement par Progress Lighting et constituera le seul et unique recours de l'acheteur.

Main-d'oeuvre et expédition exclus. La présente garantie ne couvre par les coûts et les frais associés à la main-d'oeuvre (y compris, sans s'y limiter, les frais d'électricien) nécessaires à l'installation, au retrait ou au remplacement du ventilateur ou des pièces du ventilateur.

La présente garantie ne s'applique pas en cas de perte ou de dommage découlant (i) de l'usure normale, de l'altération ou d'un usage incorrect, abusif ou négligent ou (ii) d'une installation, d'une utilisation, d'une réparation ou d'un entretien inadéquats par l'acheteur initial ou un tiers, y compris, sans s'y limiter, une tension électrique inadéquate ou une surtension, l'utilisation de pièces ou d'accessoires inadéquats, une réparation non autorisée (effectuée ou tentée) ou l'omission d'entretenir le ventilateur.

LES GARANTIES QUI PRÉCÈDENT ÉNONCENT L'ENTIÈRE RESPONSABILITÉ DE PROGRESS LIGHTING AU CHAPITRE DE LA GARANTIE AINSI QUE LE SEUL ET UNIQUE RECOURS DE L'ACHETEUR LIÉ À CES PRODUITS. PROGRESS LIGHTING N'EST PAS RESPONSABLE DES DOMMAGES (Y COMPRIS LES DOMMAGES INDIRECTS, SPÉCIAUX, ACCESSOIRES OU CONSÉCUTIFS) ATTRIBUABLES À LA DÉFECTUOSITÉ DU PRODUIT, QU'ILS SOIENT LIÉS À UNE VIOLATION DE LA GARANTIE, UNE VIOLATION DU CONTRAT OU AUTRE. LA PRÉSENTE GARANTIE REMPLACE TOUTE AUTRE GARANTIE, EXPRESSE OU IMPLICITE, Y COMPRIS TOUTE GARANTIE DE QUALITÉ MARCHANDE, D'UTILITÉ À UNE FIN PARTICULIÈRE OU D'ABSENCE DE CONTREFAÇON.

Certains États ne permettent pas de limitation à la durée implicite d'une garantie ou d'exclusion ou de limitation des dommages accessoires ou consécutifs. Par conséquent, les limitations ci-dessus pourraient ne pas s'appliquer

Date de l'achat \_\_\_\_\_

Magasin \_\_\_\_\_

N° de modèle \_\_\_\_\_

N° de série \_\_\_\_\_

N° du fournisseur \_\_\_\_\_ 109226

785247240708

CUP  785247242726



Règles de sécurité.....	1.
Déballer votre ventilateur.....	2.
Installation du ventilateur.....	3.
Installation de la lumière led et l'abat-jour en verre.....	8.
Le fonctionnement de votre transmetteur.....	9.
Entretien du ventilateur.....	11.
Recherche des pannes.....	12.
Spécifications.....	13.

## *Table des matières*

1. Pour réduire les risques de décharge électrique, s'assurer que l'électricité est coupée au disjoncteur ou au boîtier de fusibles avant de commencer.
2. Tous les câblages doivent se conformer au Code National de électricité et aux normes électriques locales. L'installation électrique doit être effectuée par un électricien licencié qualifié.
3. Le boîtier de prise et son support doivent être attachés correctement et capables de supporter fiablement un poids minimum de 15.8 kg (35 livres). Utiliser seulement les boîtiers de prise homologués par l'cUL et portant l'étiquette "POUR LE SUPPORT DE VENTILATEUR".
4. Le ventilateur doit être monté à une **hauteur minimum de 2.1m (7 pieds)** entre le bord de fuite des ailettes et le sol.
5. Éviter de placer des objets en travers des ailettes.
6. Pour éviter les blessures ou les dommages du ventilateur et autres articles, faire attention en travaillant sur le ventilateur ou en le nettoyant.
7. Ne pas utiliser d'eau ou de détergent pour nettoyer le ventilateur ou ses ailettes. Un chiffon de poussière sec ou un chiffon légèrement humide suffit pour la plupart des nettoyages.
8. Après le branchement électrique, les épissures de conducteurs doivent être orientées vers le haut et soigneusement dans le boîtier de prise. Les fils doivent être éloignés les uns des autres, et le conducteur mis à la terre et le conducteur de mise à la terre de l'appareil doivent être placés sur un côté du boîtier de prise.
9. Toutes les vis de réglage doivent être vérifiées et resserrées si nécessaire avant l'installation.
10. Adapté pour une utilisation avec la commande de vitesse à l'état solide.
11. Cet appareil contient des émetteurs/récepteurs exemptés de licence conformes aux RSS, les innovations exemptées de licence de Science et Développement économique Canada. Le fonctionnement est soumis aux deux conditions suivantes:
  - (1) Cet appareil ne doit pas causer d'interférences.
  - (2) Cet appareil doit accepter toutes les interférences, y compris celles susceptibles de provoquer un fonctionnement indésirable de l'appareil.

#### AVERTISSEMENT

POUR RÉDUIRE LES RISQUES DE BLESSURE, NE PLIEZ PAS LES SUPPORTS DE PALE (AUSSI APPELÉS BRIDES) PENDANT L'INSTALLATION DES CROCHETS, L'ÉQUILIBRAGE DES PALES OU LE NETTOYAGE DU VENTILATEUR.

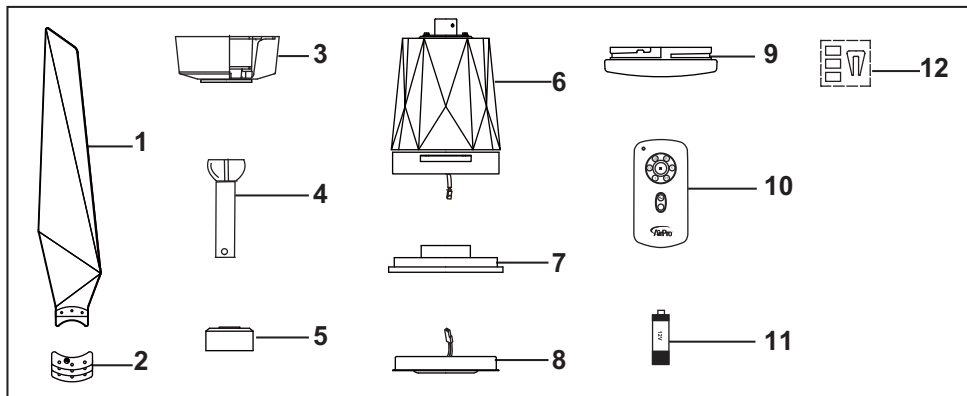
#### AVERTISSEMENT

AFIN DE RÉDUIRE LE RISQUE D' INCENDIE, DE DÉCHARGE ÉLECTRIQUE, DE BLESSURE CORPORELLE, INSTALLER À UNE BOÎTE DE SORTIE CAPABLE DE « SOUTENIR UN VENTILATEUR DE 15,8 KG (35 LB) OU MOINS » ET UTILISER LES VIS D' INSTALLATION COMPRISES AVEC LA BOÎTE DE SORTIE. LA PLUPART DES BOÎTES DE SORTIE UTILISÉES POUR SOUTENIR LES LUMINAIRES SONT INADAPTÉES AU SOUTIEN D' UN VENTILATEUR ET POURRAIENT EXIGER UN REMPLACEMENT. À CAUSE DE L' INSTALLATION COMPLEXE DE CE VENTILATEUR, NOUS RECOMMANDONS LES SERVICES D'UN MAÎTRE ÉLECTRICIEN.

#### REMARQUE

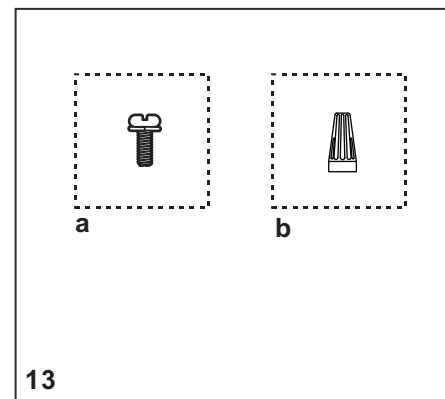
LIRE ET CONSERVER CES INSTRUCTIONS

## 1. Règles de sécurité



Déballez votre ventilateur et vérifiez le contenu de l'emballage. Vous devriez trouver les éléments suivants:

- |  |   |
|--|---|
| 1. Ensemble de lames (3)               | 7. Plaque de montage                          |
| 2. Plaques de maintien de lame (3)     | 8. Luminaire LED de 24 watt                   |
| 3. Assemblage du baldaquin             | 9. Abat-jour en verre                         |
| 4. Assemblage de boule et de tiges     | 10. Transmetteur + support + 2 vis de montage |
| 5. Couvercle de collier                | 11. Pile de 12V                               |
| 6. Assemblage du moteur de ventilateur | 12. Kit de balancement                        |



13. Desserrez les parties contenus dans un sac :

- a. Matériel de fixation de pales**  
(10 vis et rondelles de blocage)
- b. Matériel de montage**  
Connecteurs de fil en plastique (3Pcs.)

*Déballer votre ventilateur 2.*

## Outils nécessaires

Tournevis Phillips, tournevis à lame plate, clé réglable, marchepied et couteau à fil.

## Options de montage

S'il n'existe pas de boîtier de montage, il faut lire les instructions suivantes. **fusibles ou en coupant les disjoncteurs. Débrancher le courant en retirant les.**

Attacher le boîtier de prise directement sur la structure du bâtiment. Utiliser des attaches et des matériaux de construction appropriés. Le boîtier de prise et son contenu doivent être capables de supporter le ventilateur (au moins 15.9 kg- 35 livres). **Ne pas utiliser de boîtier de prise en plastique.**

### AVERTISSEMENT

AFIN DE RÉDUIRE LE RISQUE D'INCENDIE, DE DÉCHARGE ÉLECTRIQUE ET DE BLESSURES CORPORELLES, N'UTILISER QUE DES BOÎTES DE BRANCHEMENT ÉTIQUETÉES POUR LA SUSPENSION DE VENTILATEURS AINSI QUE LES VIS DE MONTAGE FOURNIES AVEC CETTE BOÎTE. LES BOÎTES DE BRANCHEMENT UTILISÉES HABITUELLEMENT POUR LA SUSPENSION DE LUMINAIRES NE CONVIENNENT PAS NÉCESSAIREMENT À LA SUSPENSION D'UN VENTILATEUR ET DEVRONT POSSIBLEMENT ÊTRE REMPLACÉES. DANS LE DOUTE, CONSULTER UN ÉLECTRICIEN QUALIFIÉ.

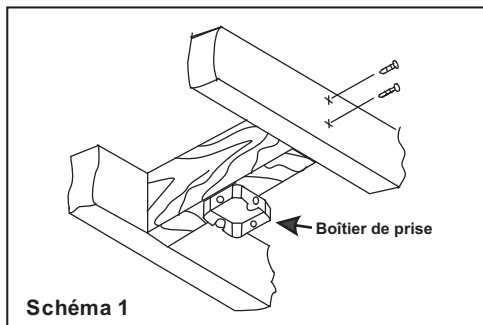


Schéma 1

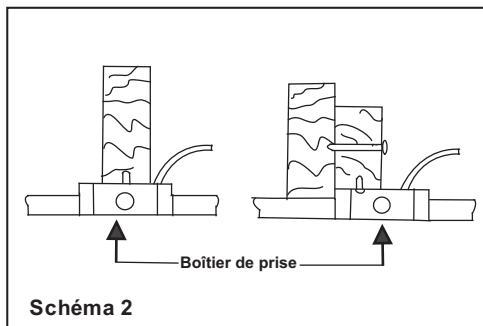


Schéma 2

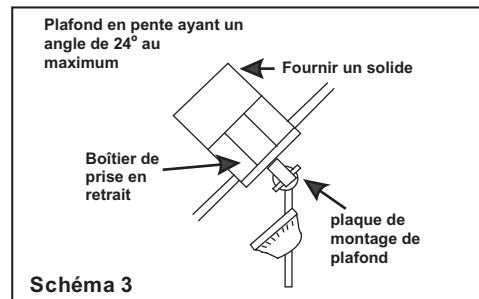


Schéma 3

**Remarque:** L'installation de ventilateurs sur un plafond à pente forte nécessite parfois l'utilisation de rallonge pour le tuyau de suspension afin de maintenir la distance admissible entre les pales et le plafond.

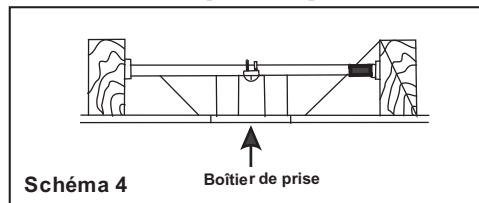


Schéma 4

Pour suspendre le ventilateur à un endroit du plafond où il existe déjà un appareil d'éclairage mais pas de poutrelle, une barre de suspension peut être nécessaire (voir Schéma 4) (disponible chez votre détaillant Progress Lighting).

## 3. Installation du ventilateur

## Installation du Ventilateur de Plafond

N'OUBLIEZ PAS de couper le courant. Veuillez suivre les étapes ci-dessous pour installer votre ventilateur correctement :

**Étape No 1.** Retirer le couvercle du dessous du boîtier décoratif en tournant le couvercle dans le sens inverse des aiguilles d'une montre. (Voir schéma 5)

**Étape No 2.** Retirez le support de suspension du pavillon en desserrant les deux vis à la base du support de suspension d'un demi-tour de la tête de vis et en tournant le pavillon dans le sens inverse des aiguilles d'une montre. (Voir schéma 5)

**Étape No 3.** Faire passer les fils d'alimentation 120-volts à travers le trou central du support d'accrochage tel que démontré dans la schéma 6.

**Étape No 4.** Fixer le support d'accrochage à la boîte à prises du plafond à l'aide des vis et rondelles fournies avec votre ventilateur.

**Étape No 5.** Retirer la tige d'accrochage, la tige de blocage, ainsi que les vis d'ajustement du dessus du mécanisme du moteur.

**Étape No 6.** Faire passer les fils sortant du dessus du moteur de ventilateur à travers le couvercle de collier, couvercle du boîtier, le boîtier et ensuite à travers la boule/tige de suspension. (Voir schéma 7)

**Étape No 7.** Aligner les trous à la base de la tige de suspension avec les trous dans le collet sur le dessus du boîtier du moteur (voir schéma 7).

Insérer avec prudence la tige d'accrochage à travers les trous situés dans le collet et dans la tige de suspension. Soyez prudent de ne pas coincer la tige contre le câblage électrique situé à l'intérieur de la tige de suspension. Insérer la tige de blocage dans le trou près du bout de la tige d'accrochage jusqu'à ce qu'elle s'enclenche en place d'un petit coup sec, tel que démontré dans l'encart circulaire de la schéma 7.

**AVERTISSEMENT**  
LE MANQUEMENT À INSTALLER  
CORRECTEMENT LA TIGE DE BLOCAGE TEL  
QUE DÉMONTRÉ DANS L'ÉTAPE No 7 POURRAIT  
RÉSULTER AU DESSERRAGE OU AU  
DÉCROCHAGE COMPLET DU VENTILATEUR.

**Étape No 8.** Serrer bien fermement les deux vis d'ajustement situées sur le dessus du moteur du ventilateur (schéma 7).

**Étape No 9.** Placer la boule de la tige de suspension dans la cavité du support d'accrochage.

**Étape No 10.** Fixez le câble de sécurité à la structure du bâtiment avec une vis à bois. (vis à bois non fournie) (Fig. 8)

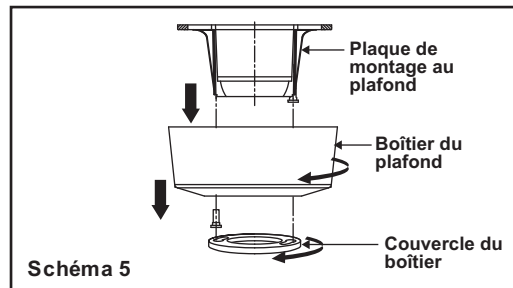


Schéma 5

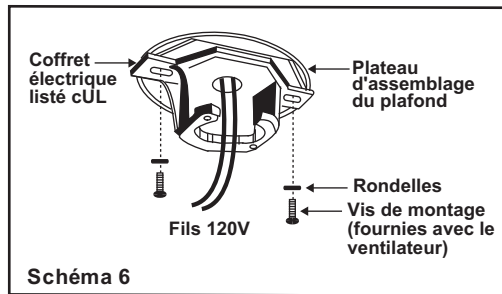


Schéma 6

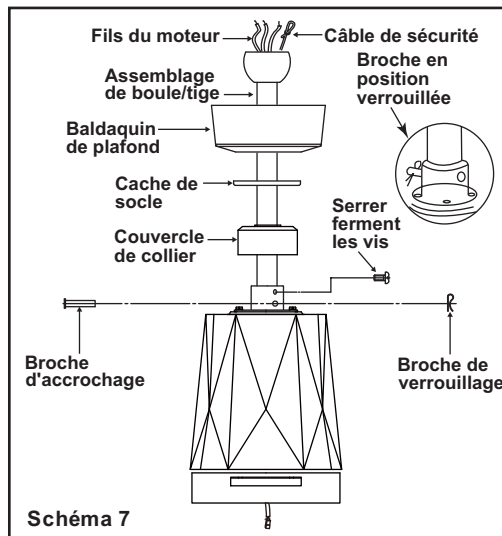
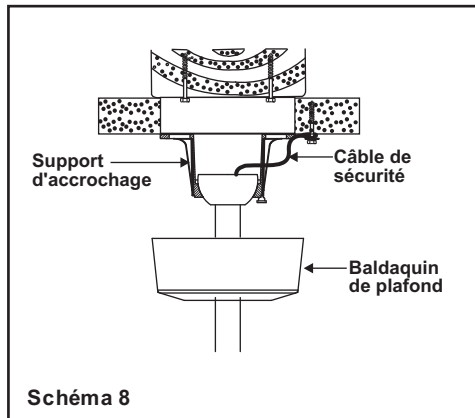


Schéma 7



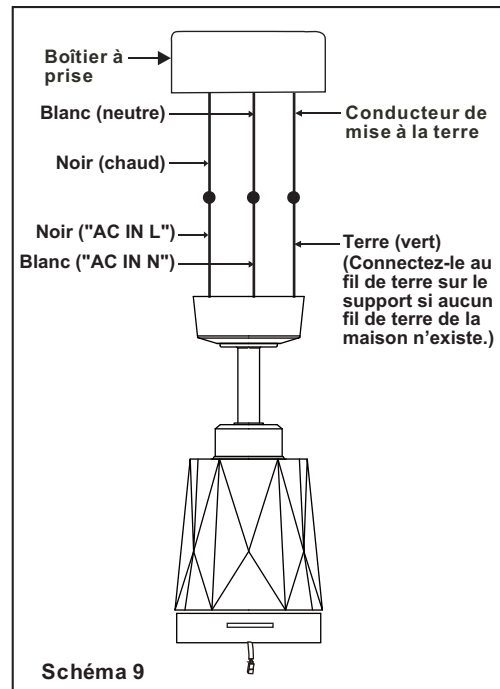
## Connexions Electriques

**AVERTISSEMENT :** Pour éviter tous risques de choc électriques, assurez-vous de couper le courant au panneau électrique principal avant d'effectuer les connexions.

Étape 1. Câbles d'alimentation du moteur à la maison Connexions électriques: Connectez le fil BLANC (neutre) du boîtier de la prise de courant au fil BLANC marqué "AC in N" du moteur. (Fig. 9)

Étape 2. Connectez le fil NOIR (chaud) de la boîte de sortie au fil NOIR marqué "AC in L" du moteur. (Fig. 9)

Fixez toutes les connexions avec les écrous en plastique fournis.





## Terminer L'installation

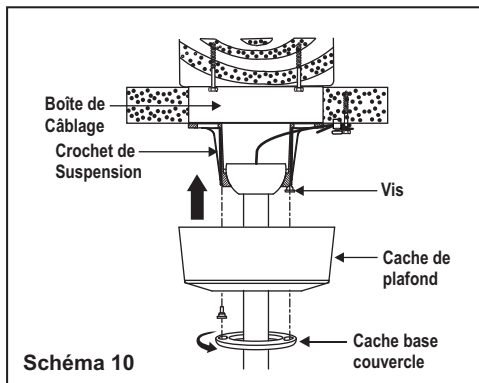
Étape 1. Arrangez les connexions à l'intérieur de la boîte de câblage.

Étape 2. Faites glisser la cache de plafond sur le crochet de suspension et placez les trous sur la cache de plafond au-dessus des vis sur le crochet de suspension. Tournez la cache de plafond jusqu'à ce qu'il se verrouille en place à la section étroite des trous de vis. (Schéma 10)

Étape 3. Alignez le trou circulaire sur la cache de plafond avec le trou restant sur le crochet de suspension, puis fixez-le en serrant les deux vis de pression. Note: Ajustez les vis du cache de plafond si nécessaire afin que le cache de plafond et le cache base couvercle soient bien fixés.

### AVERTISSEMENT

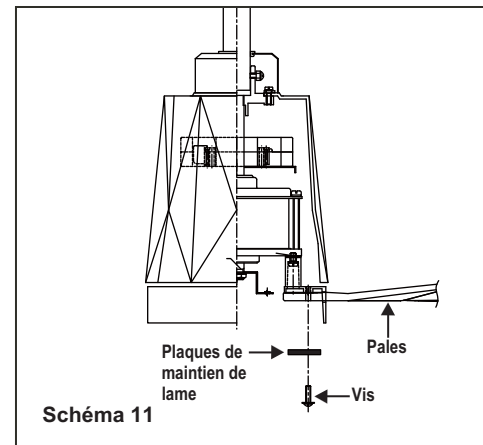
S'assurer que la languette au bas du bras d'accrochage soit positionnée correctement dans le socle de la boule d'accrochage avant de relier le baldaquin au bras. Ne pas respecter cette procédure risque d'endommager sérieusement le circuit électrique.



## Fixation des pales du ventilateur

Étape 1. Insérez la pale à travers la fente du boîtier du moteur. Aligner les trous de la pale et le support de pale, placer la plaque de support de pale sur la pale tel que démontré dans le schéma 11, en vous assurant que les trous soient également alignés et fixer en place à l'aide des rondelles de fibre et des vis fournies.

Étape 2. Resserer chaque vis fermement, tout en vous assurant que la pale est droite.



## Comment équilibrer les pales

Toutes les lames sont regroupées par poids. Le ventilateur peut trembler même si les lames sont légères.

La procédure suivante permet de rectifier le tremblement du ventilateur. Vérifiez après chaque étape.

1. Vérifiez que toutes les lames et les vis de bras de lame soient bien sécurisées.
2. La plupart des problèmes de tremblement du ventilateur sont liés à l'inégalité des lames. Vérifiez ce niveau en sélectionnant un point sur le plafond au-dessus d'une des lames. Mesurez la distance comme indiqué dans le Schéma 12. Tournez le ventilateur jusqu'à ce que la lame suivante soit bien positionnée pour la mesure. Répétez pour chaque lame. Les mesures obtenues doivent être dans une limite de 1/8".
3. Utilisez un kit de balancement de lame si vous constatez encore un tremblement des lames.

4. Si les oscillations des ailettes sont toujours visibles, la permutation de deux ailettes adjacentes (l'une à côté de l'autre) peut redistribuer le poids et pourrait produire un fonctionnement plus uniforme.

**AVERTISSEMENT**  
POUR REDUIRE LE RISQUE DE BLESSURE PERSONNELLE, NE PAS PLIER LES SUPPORTS DE LAME DURANT L'INSTALLATION NE PAS BALANCER LES LAMES ET NE PAS NETTOYER LE VENTILATEUR DURANT L'INSTALLATION. NE PAS INSERER DE CORPS ETRANGER ENTRE LES LAMES DU VENTILATEUR EN MOUVEMENT.

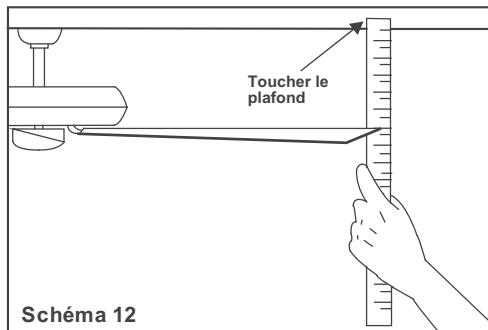


Schéma 12

**EMARQUE:** Avant de commencer l'installation, débranchez l'alimentation en coupant le disjoncteur ou en retirant le fusible au tableau de fusibles. Eteindre à l'aide de l'interrupteur du ventilateur n'est pas suffisant pour éviter les électrocutions.

**Étape 1.** Retirer une des trois vis de l'anneau de montage et la garder pour utilisation future. Desserrer les deux autres vis. (Ne pas les enlever)

**Étape 2.** Placer les trous principaux sur la plaque de montage vis-à-vis les deux vis précédemment desserrées sur l'anneau de montage, tourner la plaque de montage jusqu'à ce qu'il se bloque en place dans la partie étroite des trous principaux. (Schéma 13)

**Étape 3.** Fixer en serrant les deux vis précédemment desserrées ainsi que celle précédemment enlevée.

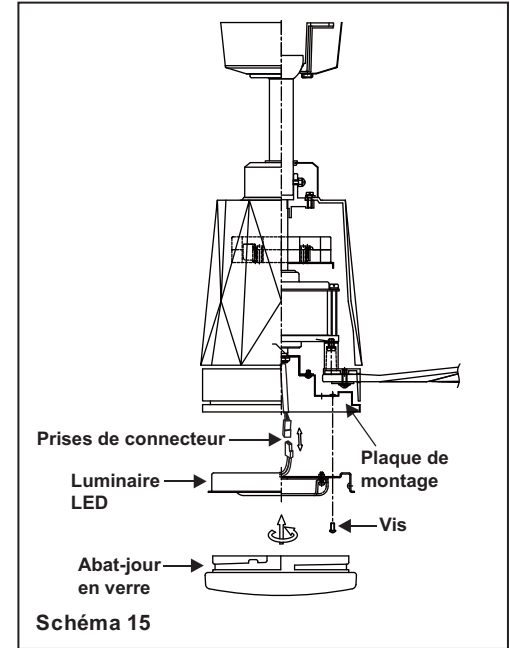
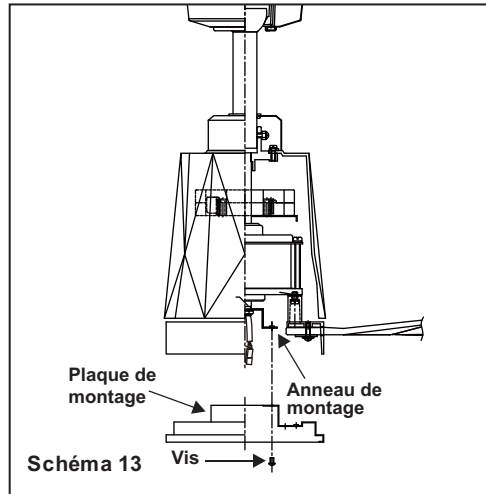
**Étape 4.** Tout en maintenant le luminaire LED de sous le moteur du ventilateur, rassemblez la connecteurs de fils 2 broches: (Schéma 14)  
- Blanc to blanc - Noir to noir

**Étape 5.** Retirer une des trois vis de l'plaque de montage et la garder pour utilisation future. Desserrer les deux autres vis. (Ne pas les enlever)

**Étape 6.** Placez les orifices en trou de serrure de la luminaire LED par-dessus les deux vis

précédemment desserrées de l'plaque de montage, puis tournez la luminaire LED jusqu'à ce que cette dernière s'enclenche en place au niveau de la section étroite des orifices. Fixez solidement en resserrant les deux vis de luminaire de montage précédemment desserrées et celle précédemment retirée. (Schéma 14)

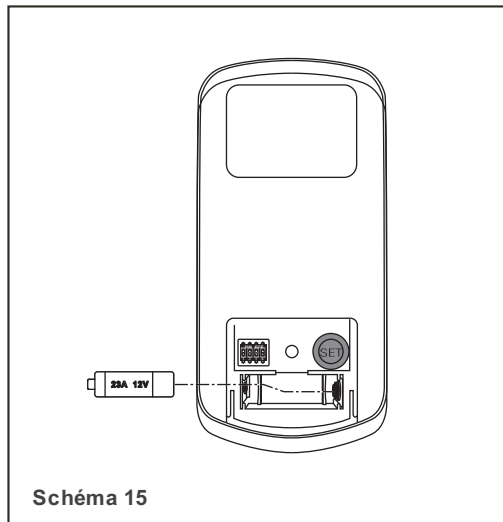
**Étape 7.** Soulevez le store en verre et fixez-le au ventilateur en le tournant dans le sens des aiguilles d'une montre jusqu'à ce qu'il soit bien ajusté. **NE PAS TROP SERRER.**



*Installation de la luminaire led et l'abat-jour en verre 8.*

## Instalación de la Bateria

Coloque 12V bateria (incluidas). Para evitar estropeos del transmisor, extregia la bateria cuando esté no se usa por periodo relativamente largo. (Schéma 15)



Définitions des boutons de la télécommande : (Schéma 16)  
Ces six boutons sont utilisés pour régler la vitesse du ventilateur comme suit :

- I = vitesse minimale
- II = vitesse lente
- III = vitesse moyenne lente
- IV = vitesse moyenne
- V = vitesse moyenne rapide
- VI = vitesse rapide

Bouton ■ : Ce bouton permet d'éteindre le ventilateur.

Bouton d'inversion ⤿ : Ce bouton sert à contrôler le sens de rotation du ventilateur.

Bouton ☀ : Contrôle la lumière. Utilisez les commutateurs DIP «ON» et «ON» situés à l'arrière de l'émetteur pour choisir l'éclairage en position «ON / OFF» ou «Dimmable». (Schéma 17)

Votre moteur sans balai à courant continu est équipé d'une télécommande à apprentissage automatique. Il n'y a pas de commutateur de fréquence sur le récepteur; le récepteur balayera automatiquement la fréquence de la télécommande si des modifications sont apportées. Les réglages de fréquence sur l'émetteur doivent être changés **UNIQUEMENT** en cas d'interférence ou si un ou plusieurs ventilateurs de plafond dotés du même type de système de contrôle sont installés dans la même structure.

### Réglage de la télécommande

Suivez les étapes ci-dessous pour configurer la télécommande :

La fonction d'apprentissage automatique n'est activée que dans les 60 secondes qui suivent la mise sous tension de l'alimentation CA du ventilateur.

a) Sélectionnez la fréquence désirée à l'aide de l'émetteur. Les commutateurs DIP peuvent être réglés sur 16 combinaisons différentes. (Schéma 17)

b) À l'arrière de l'émetteur, avec le ventilateur éteint, rétablissez l'alimentation du ventilateur. Appuyez sur le bouton "SET" pendant environ 5 secondes et relâchez-le. Si le kit d'éclairage optionnel est installé, le kit d'éclairage clignotera deux fois et le voyant de l'émetteur portatif s'allumera lorsque vous appuierez sur le bouton. Le ventilateur a terminé le processus de couplage avec la télécommande et est prêt à être utilisé. (Schéma 17)

**REMARQUE** : Si le test d'auto-calibrage échoue, éteignez le courant alternatif, rétablissez l'alimentation et recommencez le test d'auto-étalonnage.

**REMARQUE** : Pendant le test d'auto-calibrage, la télécommande est non fonctionnelle.

**REMARQUE** : La fonction de fréquence d'apprentissage et le test d'auto-calibrage continueront de conserver la dernière fréquence et le dernier jeu de calibration configurés, même lorsque l'alimentation CA est coupée. Si la fréquence est modifiée, le test d'auto-étalonnage se reproduira.

Protection supérieure à 80 W: lorsque le récepteur détecte une consommation de moteur supérieure à 80 W, le récepteur est mis hors tension et son fonctionnement est immédiatement interrompu. Attendez 5 secondes, puis rallumez le récepteur.

## 9. Le fonctionnement de votre transmetteur

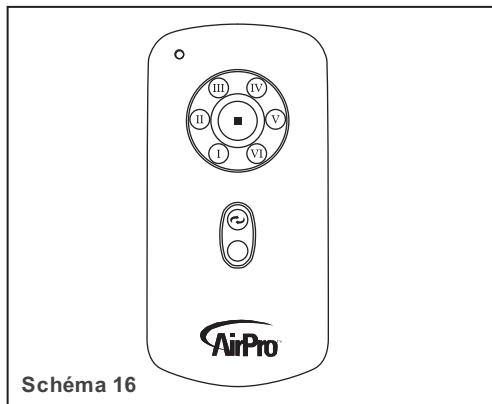


Schéma 16

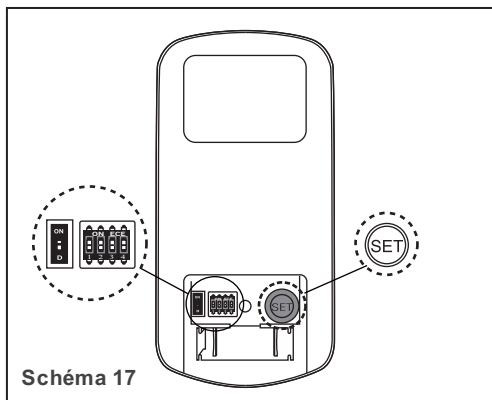


Schéma 17

Les réglages de vitesse par temps chaud ou froid dépendent de facteurs tels que la taille de la pièce. Hauteur sous plafond, nombre de ventilateurs, etc.

**REMARQUE :** Pour activer la fonction d'inversion sur ce ventilateur, appuyez sur le bouton d'inversion pendant le fonctionnement du ventilateur.

Temps chaud - (En avant) Un flux d'air descendant crée un effet de refroidissement, comme illustré à la Fig. 18. Ceci vous permet de régler votre climatiseur sur un réglage plus chaud sans affecter votre confort.

Temps froid - (Rotation inversée) Un flux d'air ascendant déplace l'air chaud hors de la surface du plafond comme illustré à la Fig. 19. Cela vous permet de baisser le réglage de température votre appareil de chauffage sans affecter votre confort.

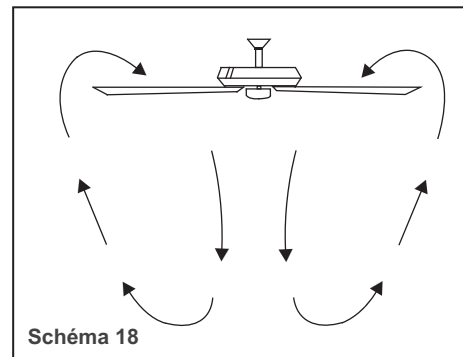


Schéma 18

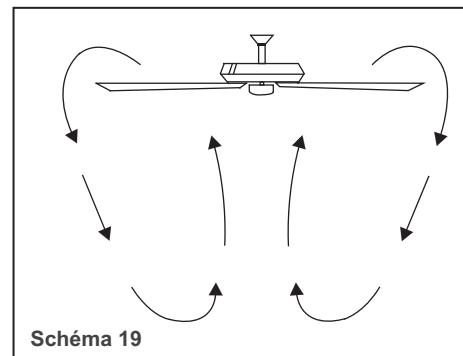
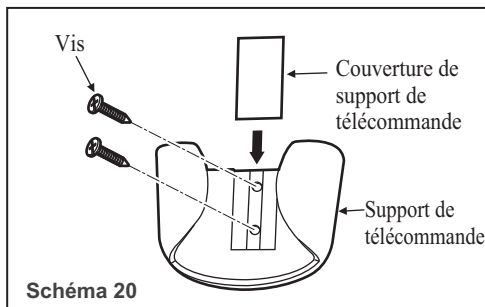


Schéma 19

## Installation du Support de Télécommande

1. Retirez le couvercle du porte- télécommande du porte-télécommande.
2. Fixez le support de télécommande à l'aide des deux vis de montage du support de télécommande fournies. (Fig. 20)
3. Remplacez le couvercle du support de télécommande dans le support de télécommande.



Voici quelques suggestions pour vous aider à préserver votre ventilateur.

1. À cause du mouvement naturel du ventilateur, certaines connexions peuvent se desserrer. Vérifier les connexions de soutien, les supports et les attaches des ailettes deux fois par an. S'assurer que tout est bien attaché. (Il n'est pas nécessaire de démonter le ventilateur du plafond).
2. Nettoyer le ventilateur régulièrement pour permettre de préserver son aspect neuf au cours des années. Utiliser seulement une brosse douce ou un chiffon sans peluche pour éviter de rayer la finition. Le plaquage est protégé par une laque pour réduire au minimum les décolorations ou la ternissure. Ne pas utiliser d'eau pour le nettoyage. Cela pourrait endommager le moteur ou produire peut-être une décharge électrique.

3. Il n'est pas besoin d'huiler le ventilateur. Le moteur possède des roulements lubrifiés d'une façon permanente.

**IMPORTANT**  
**S'assurer que le courant est coupé au panneau électrique avant d'entreprendre toute réparation. Se reporter à la section "Connexions électriques".**

# 11. Entretien du ventilateur

## Problème

Le ventilateur ne démarre pas.

Le ventilateur est bruyant.

Fan a perdu sa programmation à plusieurs reprises.

## Solution

1. Vérifier les fusibles des circuits ou les disjoncteurs.
2. Vérifier les connexions des fils d'alimentation du ventilateur et les connexions des fils d'interrupteur dans le boîtier de l'interrupteur.  
**ATTENTION:** S'assurer que le secteur est coupé.
1. S'assurer que **toutes** les vis du boîtier du moteur sont serrées.
2. S'assurer que les vis qui attachent le support d'ailette de ventilateur au moyeu du moteur sont serrées.
3. S'assurer que les connexions d'écrou à fil ne frottent pas les unes contre les autres ou contre la paroi interne du boîtier d'interrupteur. **ATTENTION:** S'assurer que le secteur est coupé.
4. Permettre le rodage pendant 24 heures. La plupart des bruits associés à un ventilateur neuf disparaissent au bout de cette période.
5. Si vous utilisez une option de kit de lampe de ventilateur de plafond, s'assurer que les vis qui attachent les pièces en verre sont serrées. Vérifier que l'ampoule électrique est aussi attachée.
6. Certains moteurs de ventilateur sont sensibles aux signaux provenant des contrôles de vitesse variable à transistors. Si ce type de contrôle est installé, choisir et installer un autre type de contrôle.
7. S'assurer que la partie supérieure du dôme est à une petite distance du plafond. **Elle ne doit pas toucher le plafond.**
1. Mettez le ventilateur hors tension, puis reprenez les étapes de programmation décrites à la page 9.
2. N'éteignez pas le ventilateur de l'interrupteur mural standard. Utilisez uniquement notre interrupteur mural ou votre télécommande pour régler le ventilateur.

*Recherche des pannes 12.*

TAILLE DU VENTILATEUR	VITESSE	VOLTS	AMPERES	WATTS	OURS/MINUE	CFM	POIDS NET	POIDS BRUT	C.F.
<b>60"</b> <b>(152 cm)</b>	Petite	120	0.046	1.98	49	2129.74	14.55 lbs	16.88 lbs	1.70'
	Grande	120	0.45	32.08	149	6846.39			

Ces valeurs sont approchées. Elles ne comprennent pas les intensités de courant et les puissances utilisées par le kit de lampe.

Cet appareil est conforme à la section 15 de la réglementation de la FCC. Son fonctionnement est soumis aux deux conditions suivantes: (1) Cet appareil ne doit pas causer d'interférences nuisibles et (2) cet appareil doit accepter toutes les interférences reçues, y compris celles pouvant entraîner un fonctionnement indésirable.

Avertissement: toute modification apportée à cet appareil non expressément approuvée par la partie responsable de la conformité pourrait annuler l'autorité de l'utilisateur à utiliser l'équipement.

REMARQUE: Cet équipement a été testé et déclaré conforme aux limites imposées aux appareils numériques de classe B, définies à la section 15 du règlement de la FCC. Ces limites sont conçues pour fournir une protection raisonnable contre les interférences nuisibles dans une installation résidentielle. Cet équipement génère, utilise et peut émettre de l'énergie de fréquence radio. S'il n'est pas installé et utilisé conformément aux instructions, il peut causer des interférences nuisibles aux communications radio.

Cependant, rien ne garantit que des interférences ne se produiront pas dans une installation particulière. Si cet équipement provoque des interférences nuisibles avec la réception de radio ou de télévision, ce qui peut être déterminé en éteignant et en rallumant l'équipement, l'utilisateur est invité à tenter de corriger l'interférence en appliquant l'une ou plusieurs des mesures suivantes:

- Réorientez ou déplacez l'antenne de réception.
- Augmentez la distance entre l'équipement et le récepteur.
- Connectez l'équipement à une prise d'un circuit différent de celui auquel le récepteur est connecté.
- Consultez votre revendeur ou un technicien radio / TV expérimenté pour obtenir de l'aide.

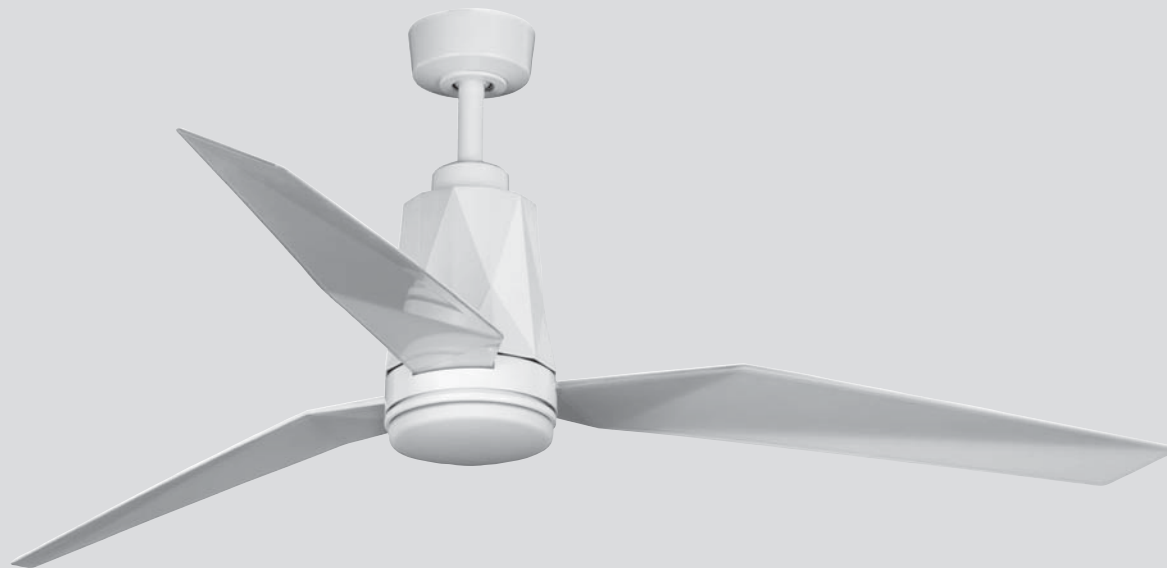
©2019 Progress Lighting, Inc.  
701 Millennium Blvd.,  
Greenville, SC 29607  
All Rights Reserved

## *13. Spécifications*





## Manual de Instalación del Ventilador de Techo



93114660\_B

**P250038**

# Garantía limitada de por vida

Se garantiza al comprador original que los motores de los ventiladores de Progress Lighting no presentan defectos mecánicos o eléctricos por el tiempo durante el cual el comprador original sea dueño del ventilador. Los interruptores de cadena, interruptores de reversa, capacitores y acabados de metal cuentan con garantía libre de defectos de materiales o mano de obra por 1 año a partir de la fecha de compra. La deformación de las aspas de plástico o madera no está cubierta por esta garantía, así como tampoco la corrosión y/o el deterioro de los acabados en el caso de los ventiladores instalados dentro de un radio de 10 millas (16 km) de la costa del mar. Pueden corresponder garantías extendidas para los productos que cumplen con los requisitos de ENERGY STAR®.

Los ventiladores de techo Progress Lighting con fuentes de iluminación LED incorporadas, cuando se los instala debidamente y bajo condiciones de uso normales, están garantizados como libres de defectos de materiales y mano de obra que hacen que las fuentes de iluminación dejen de funcionar de acuerdo con las especificaciones durante (i) cinco (5) años a partir de la fecha de compra para los módulos de luces LED y los componentes eléctricos para los ventiladores utilizados en residencias unifamiliares, y (ii) tres (3) años a partir de la fecha de compra para los módulos de luces LED y los componentes eléctricos para los ventiladores utilizados en aplicaciones comerciales o multifamiliares. Los focos LED suministrados por Progress Lighting no cuentan con garantía más allá de la garantía del fabricante. Los focos que no son LED no cuentan con garantía.

Con comprobante de compra, el comprador original podrá devolver el ventilador defectuoso al lugar de compra, durante los primeros 30 días, para su reemplazo. Pasados los 30 días, el comprador original DEBE contactarse con Progress Lighting al (864) 678-1000 para la reparación o el reemplazo, que se determinará a criterio exclusivo de Progress Lighting y será la compensación única y exclusiva del comprador.

Se excluye la mano de obra y el envío. Esta garantía no cubre los costos o cargos asociados con la mano de obra (incluidos, entre otros, los honorarios del electricista) necesaria para instalar, quitar o reemplazar el ventilador o cualquiera de sus partes.

Esta garantía no se aplicará a ninguna pérdida o daño que resulte del (i) uso y desgaste normales o de una alteración, uso indebido o descuido, o de la (ii) instalación, operación, reparación o mantenimiento inadecuados por parte del comprador original o de un tercero, incluidos, entre otros, suministro de voltaje inadecuado o sobrecarga eléctrica, uso de piezas o accesorios inadecuados, reparación no autorizada (realizada o que se intentó realizar) o falta de mantenimiento al ventilador.

LAS GARANTÍAS PRECEDENTES ESTABLECEN LA OBLIGACIÓN DE GARANTÍA COMPLETA DE PROGRESS LIGHTING Y LA COMPENSACIÓN ÚNICA Y EXCLUSIVA DEL COMPRADOR ORIGINAL EN RELACIÓN CON DICHS PRODUCTOS. PROGRESS LIGHTING NO ASUME RESPONSABILIDAD POR DAÑOS (INCLUIDOS INDIRECTOS, ESPECIALES, INCIDENTALES O EMERGENTES), DEBIDO A FALLAS DEL PRODUCTO, YA SEA QUE SURJAN DEL INCUMPLIMIENTO DE LA GARANTÍA, DEL INCUMPLIMIENTO CONTRACTUAL O DE OTRO MODO. ESTA GARANTÍA REEMPLAZA CUALQUIER OTRA GARANTÍA, YA SEA EXPRESA O IMPLÍCITA, INCLUSO AQUELLAS DE COMERCIABILIDAD, IDONEIDAD PARA UN FIN EN PARTICULAR O NO INCUMPLIMIENTO.

Algunos estados no permiten limitaciones sobre la duración de una garantía implícita o la exclusión de limitaciones de daños incidentales o emergentes, de modo que las limitaciones y exclusiones anteriores tal vez no se apliquen a su caso. La presente garantía le otorga derechos específicos y es posible que usted tenga otros derechos que varían según el estado.

Fecha de compra \_\_\_\_\_

Lugar de compra \_\_\_\_\_

N de modelo. \_\_\_\_\_

N de serie \_\_\_\_\_

Numero de vendedor 109226

785247240708

UPC  785247242726



Normas de seguridad .....	1.
Cómo desembalar el ventilador .....	2.
Cómo instalar el ventilador .....	3.
Instalación del kit de luces y la pantalla de vidrio .....	8.
Operando su transmisor .....	9.
Cómo cuidar del ventilador .....	11.
Resolución de problemas .....	12.
Especificaciones .....	13.

## *Tabla de Contenido*

1. Para disminuir el riesgo de descarga eléctrica, asegúrate de que la electricidad ha sido apagada en el cortacircuitos o la caja de fusibles antes de comenzar la instalación.
2. Todo el cableado debe cumplir con el Código Nacional de Electricidad "ANSI/NFPA 70-1999" y con los códigos locales de electricidad. La instalación eléctrica debe ser hecha por un electricista certificado y calificado.
3. La caja eléctrica y estructura de soporte deben montarse de forma segura y tener capacidad para sostener de manera confiable un mínimo de 35 libras (15,9 kg) o menos. Usa solamente cajas eléctricas aprobadas por cUL marcadas como "PARA SOPORTE DE VENTILADOR".
4. El ventilador debe ir montado con un mínimo de 7 pies (2,1m) de separación entre el borde trasero de las aspas y el piso.
5. Evita colocar objetos en la trayectoria de las aspas.
6. Para evitar lesiones físicas o daños al ventilador y otros artículos, ten cuidado al limpiar o trabajar cerca del ventilador.
7. No usar agua o detergentes al limpiar el ventilador o las aspas. Para la limpieza, será adecuado un paño seco para quitar el polvo o ligeramente humedecido.
8. Después de concluir con las conexiones eléctricas, debes voltear los conductores empalmados hacia arriba y empujarlos con cuidado hacia dentro de la caja eléctrica. Los cables deben estar separados, con el cable a tierra y el conductor a tierra del equipo hacia uno de los lados de la caja eléctrica y el conductor sin conexión a tierra hacia el lado opuesto.
9. Todos los tornillos colocados se deben verificar y ajustar donde sea necesario antes de la instalación.
10. Adecuado para uso con de control de velocidad de estado solido.
11. Este dispositivo contiene transmisores / receptores exentos de licencia que cumplen con los RSS exentos de licencia de Innovación, Ciencia y Desarrollo Económico de Canadá. La operación está sujeta a las siguientes dos condiciones:
  - (1) Este dispositivo no puede causar interferencia.
  - (2) Este dispositivo debe aceptar cualquier interferencia, incluida la interferencia que pueda causar un funcionamiento no deseado del dispositivo.

#### **ADVERTENCIA**

PARA REDUCIR EL RIESGO DE LESIONES PERSONALES, NO DOBLAR LOS SOPORTES DE LAS ASPAS (TAMBIEN LLAMADOS "REBORDES" DURANTE EL MONTAJE O DESPUES DE LA INSTALACIÓN NO INSERTAR OBJETOS EN LA TRAYECTORIA DE LAS ASPAS.

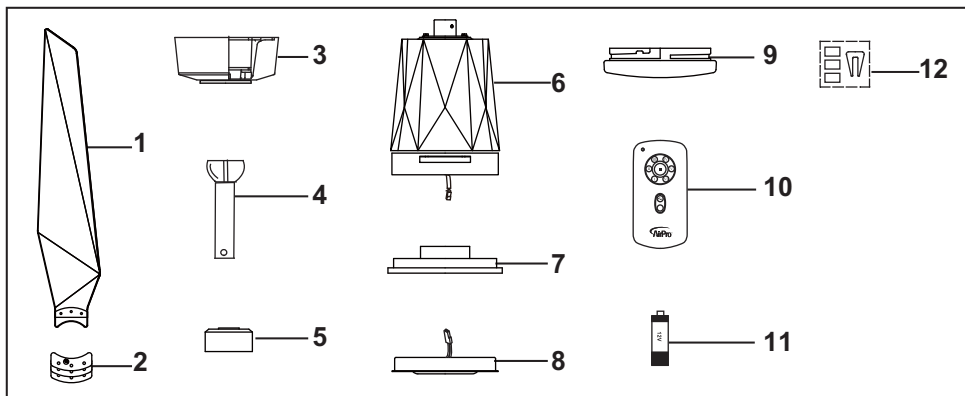
#### **ADVERTENCIA**

PARA REDUCIR EL RIESGO DE INCENDIO, DESCARGA ELÉCTRICA O LESIÓN PERSONAL, MONTE A UNA CAJA DISTRIBUCIÓN MARCADA COMO "ACEPTABLE PARA SOPORTE DE UN VENTILADOR DE 22.7KG (50 LBS.) DE PESO O MENOS" Y MONTE CON LOS TORNILLOS PROPORCIONADOS CON LA CAJA DE DISTRIBUCIÓN. LA MAYORÍA DE LAS CAJAS DE CONEXIÓN UTILIZADAS PARA SOPORTAR ARTEFACTOS DE ILUMINACIÓN, NO SON APTAS PARA COLGAR UN VENTILADOR Y PODRÍA SER NECESARIO CAMBIARLAS. DEBIDO A LA COMPLEJIDAD DE LA INSTALACIÓN DE ESTE VENTILADOR, SE RECOMIENDA ENCARECIDAMENTE QUE LA REALICE UN ELECTRICISTA LICENCIADO CUALIFICADO.

#### **NOTA**

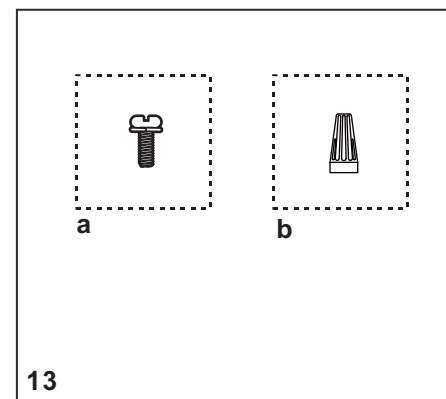
LEA Y MANTENER ESTAS INSTRUCCIONES

# *1. Normas de seguridad*



Desembalar el ventilador y revisar el contenido. Debe tener los siguientes elementos:

- |  |  |
|--|--|
| 1. Juego de aspas (3)                  | 7. Plato de montaje                              |
| 2. Placa de soporte para las aspa (3)  | 8. Kit de luz LED de 24 vatios                   |
| 3. Escudete superior                   | 9. Pantalla de vidrio                            |
| 4. Conjunto de bola/tubo de suspensión | 10. Transmteur incl. soporte + 2 vis de fixation |
| 5. Cubridor del motor                  | 11. Batería de 12V                               |
| 6. Conjunto de motor del ventilador    | 12. Juego de balanceo                            |



13

13. Dos bolsas de piezas pequeñas:

- a. Piezas de fijación de las aspas**  
(10 Tornillos con arandelas de cierre)
- b. Piezas demontaje**  
(3 Conectores plásticos para cables eléctricos).

*Cómo desembalar el ventilador 2.*

## Herramienta necesarias

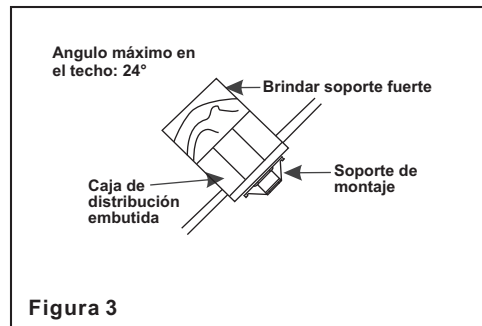
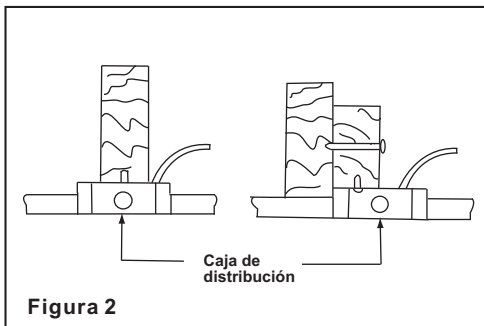
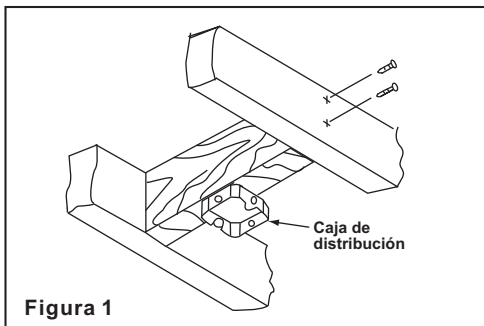
Destornillador Phillips, destornillador normal, llave de tuercas ajustable, escalera de tijera, y cortadoras de alambre.

## Opciones de instalación

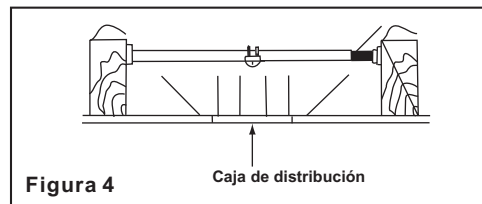
Si no hay una caja con cUL registración de montaje existente, sírvase leer las siguientes instrucciones. Desconectar el suministro de electricidad removiendo los fusibles o desactivando los cortacircuitos.

Asegurar la caja de distribución directamente a la estructura del edificio. Usar los sujetadores y materiales de construcción apropiados. La caja de distribución y su soporte deben ser capaces de soportar completamente el peso en movimiento del ventilador (al menos 35 libras o 15.9 kgs.) No usar cajas de distribución plásticas.

**ADVERTENCIA**  
PARA REDUCIR EL RIESGO DE INCENDIO, ELECTROCUCIÓN O DAÑO PERSONAL, INSTALAR EL VENTILADOR A UNA CAJA DE DISTRIBUCIÓN MARCADA "ACEPTADA PARA SOPORTAR VENTILADOR" Y USAR LOS TORNILLOS DE MONTAJE SUMINISTRADOS CON LA CAJA DE DISTRIBUCIÓN



**Nota:** Ud. Puede necesitar una barra de extensión para mantener la distancia apropiada de las aspas cuando la instalación se efectúe en un techo inclinado.



Para colgar su ventilador donde ya existe una instalación pero no una viga de techo, es posible que se necesite una instalación de barra de suspensión como se muestra la Figura 4 (disponible en su distribuidor Progress Lighting).

# 3. Cómo instalar el ventilador

## Colocación del ventilador

**RECUERDE** desconectar la alimentación. Siga estos pasos para colocar correctamente el ventilador:

**Paso 1.** Retire la tapa embellecedora del fondo del cobertor girando la tapa en sentido de las agujas del reloj. (Fig. 5)

**Paso 2.** Quite el soporte de montaje de la cubierta quitando 1 de los 2 tornillos de la parte inferior del soporte de montaje y aflojando el otro media vuelta desde la cabeza del tornillo. A continuación, gire la soporte de montaje en sentido contrahorario para quitar la cubierta. (Fig. 5)

**Paso 3.** Pase los hilos de 120 voltios a través del agujero central del soporte de suspensión del techo tal y cómo se muestra en la. (Fig. 6)

**Paso 4.** Fije el soporte de montaje a la caja del techo con los tornillos y arandelas suministradas en la caja.

**Paso 5.** Retire el pasador de suspensión, el pasador de bloqueo y el conjunto de tornillos y de la parte superior del ensamblaje del motor. (Fig. 7)

**Paso 6.** Guíe los cable de seguridad y cables que salen de la parte superior del motor del ventilador a través de la cubridor del motor, tapa de la cubierta y cubierta y luego a través de la bola/varilla. (Fig. 7)

**Paso 7.** Alinee los agujeros de la parte inferior de la barra con los agujeros del cuello en la

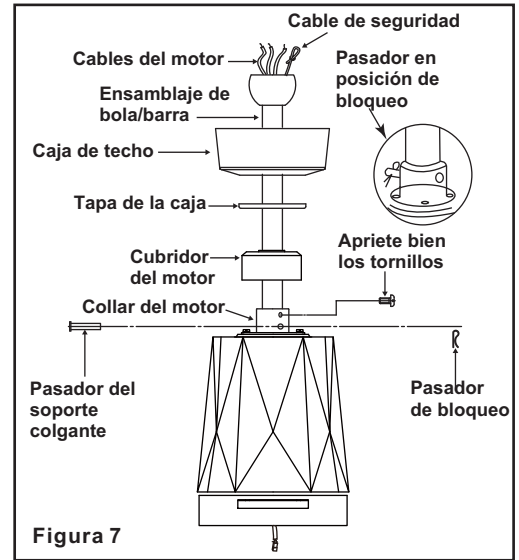
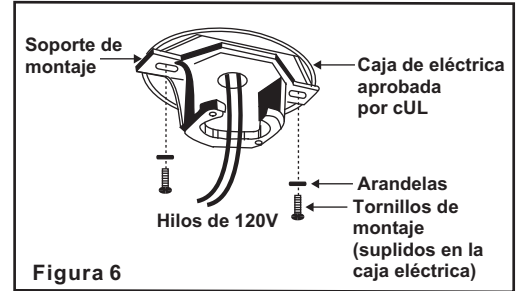
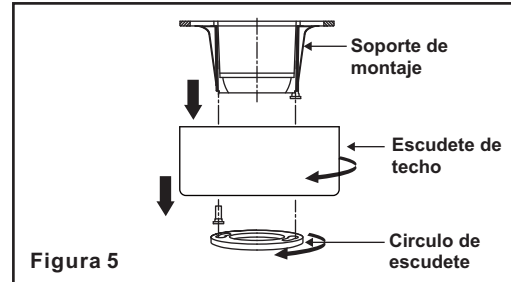
parte superior de la caja del motor (Fig. 7) Introduzca con cuidado el pasador de suspensión a través de los agujeros del cuello y de la barra. Tenga cuidado de que el pasador no se atasque con los hilos de dentro de la barra. Introduzca el pasador de bloqueo a través del agujero cercano al extremo del pasador de suspensión hasta que quede en la posición de bloqueo, tal y cómo se especifica en el círculo de la Fig. 7.

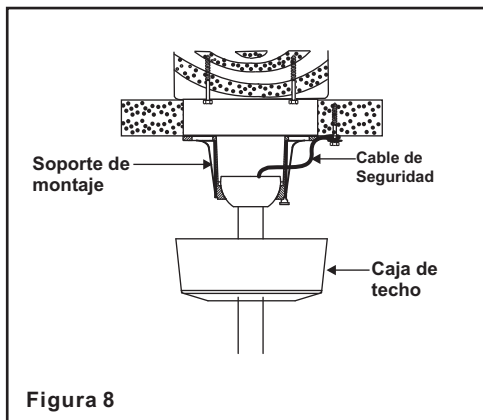
**ADVERTENCIA**  
SI NO INSTALA EL PASADOR  
CORRECTAMENTE TAL Y CÓMO SE  
ESPECIFICA EN EL PASO 7, EL  
VENTILADOR PODRÍA AFLOJARSE E  
INCLUSO CAER.

**Paso 8.** Apriete bien los dos tornillos de la parte superior del motor. (Fig. 7)

**Paso 9.** Coloque la bola de la barra en la ranura del soporte de suspensión. (Fig. 8)

**Paso 10.** Asegure el cable de seguridad a la estructura del edificio con un tornillo para madera (no incluido). (Fig. 8)





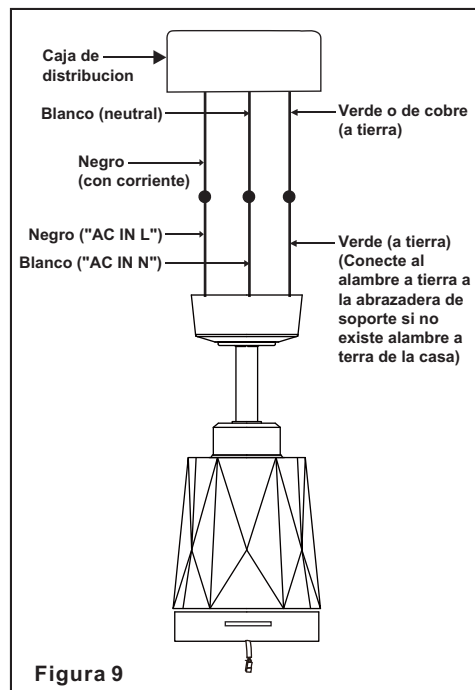
## Realizar las Conexiones Eléctricas

**ADVERTENCIA:** Para evitar la posibilidad de un choque eléctrico, asegurese de apagar la corriente eléctrica desde el circuito central.

**Paso 1.** Haga las conexiones de la caja de distribución a el Receptor de la manera siguiente; Conecte el Alambre blanco (neutral) de la caja de distribución al alambre blanco marcado "AC in N" del receptor. (Fig. 9)

**Paso 2.** Conecte el Alambre Negro (corriente) de la caja de distribución al alambre Negro marcado "AC in L" del Receptor. (Fig. 9)

Asegure las conexiones con los conectores de plastico proviedos.





## Terminando la Instalación

**Paso 1.** Meta las conexiones en forma ordenada adentro de la toma de corriente.

**Paso 2.** Deslice la cubierta hacia arriba hacia el soporte de montaje y coloque el agujero de posición de la cubierta sobre el tornillo del soporte de montaje, gire la cubierta hasta que quede encajada en su lugar en la sección estrecha de los agujeros de posición. (Fig. 10)

**Paso 3.** Alinee el agujero circular de la cubierta con el agujero restante en el soporte de montaje, fíjelo apretando los dos juegos de tornillos. Nota: Ajuste los tornillos de la cubierta hasta que la cubierta y la tapa de la cubierta queden ajustadas.

### ADVERTENCIA

ASEGURARSE DE QUE LA LENGUETA LOCALIZADA EN LA PARTE INFERIOR DEL SOPORTE DE SUSPENSIÓN ESTÉ ASENTADA CORRECTAMENTE EN LA RANURA DE BOLA DE SUSPENSIÓN ANTES DE FIJAR EL ESCUDETE AL SOPORTE. EL NO AJUSTAR CORRECTAMENTE LA LENGUETA EN LA RANURA PODRÍA CAUSAR DAÑO AL CABLEADO ELÉCTRICO.

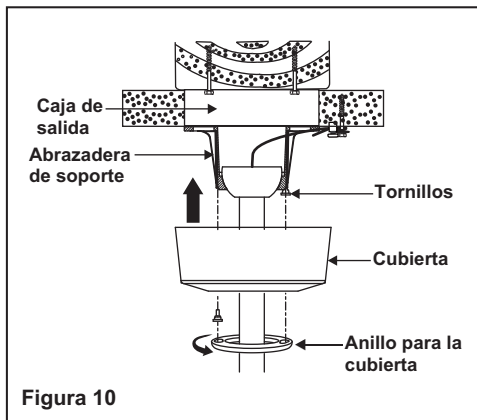


Figura 10

## Cómo montar las aspas del ventilador

**Paso 1.** Inserte la aspa a través de la ranura en la carcasa. Alinee los orificios en la aspa y el ensamblaje del motor del ventilador y asegúrelos con el soporte de la aspa y el tornillo de la aspa con una arandela de seguridad.

**Paso 2.** Repite estos pasos para las de aspas restantes.

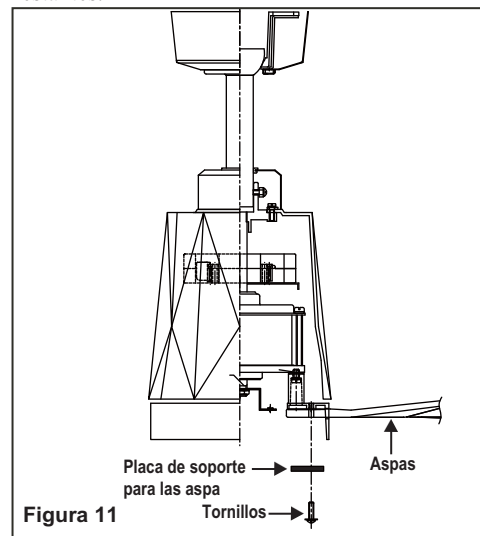


Figura 11

## Balaneo de las Aspas

Todas las aspas están agrupadas por peso. El ventilador podría oscilar aún cuando el peso de las aspas esté equilibrado.

El siguiente procedimiento debería mayor parte de la oscilación del ventilador. Corregir la Verificar después de cada paso.

1. Verificar que todos los tornillos de aspas y de soportes de aspas estén seguros.
2. La mayoría de los problemas de oscilación se originan cuando los niveles de las aspas son desiguales. Revisar este nivel por medio de seleccionar un punto del techo por encima de la punta de una de las aspas. Medir esta distancia como se muestra en la Figura 12. Rotar el ventilador hasta que la siguiente aspa esté ubicada para medición. procedimiento para cada aspa. Las medi repetir el das hacer fucional deben mantenerse dentro de 1/8 pulgadas (3mm).
3. Usar el juego de balanceo de aspas incluido si aún se puede notar la oscilación.

4. Si la oscilación de las aspas todavía se puede notar, el intercambio de dos aspas adyacentes (lado a lado) puede redistribuir el peso y es posible que resulte en un funcionamiento más uniforme.

**ADVERTENCIA**  
PARA REDUIR RIESGO DE LESIONES PERSONALES. NO DOBLAR LOS SUJETADORES DE ASPAS MIENTRAS SE REALIZA LA INSTALACIÓN. EL BALANCEO DE LAS ASPAS O SU LIMPIEZA. NO INSERTAR OBJETOS EXTRANOS ENTRE LAS ASPAS DEL VENTILADOR EN ROTACIÓN.

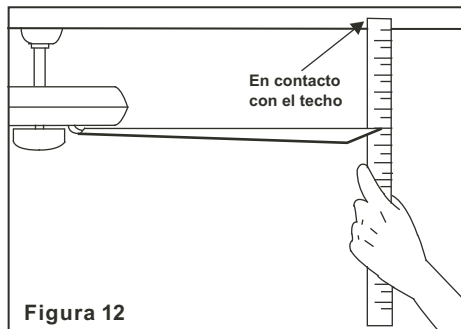


Figura 12

**PRECAUCIÓN:** Antes de comenzar con la instalación, desconecte la alimentación apagando el circuito del automático o quitando el fusible de la caja de fusibles. Para evitar descargas eléctricas, no basta con apagar la alimentación utilizando el interruptor del ventilador.

**Paso 1.** Quite 1 de los 3 tornillos del anillo de montaje y afloje los otros 2 tornillos. (No los quite)

**Paso 2.** Coloque los agujeros del plato de montaje en los 2 tornillos previamente aflojados del anillo de montaje, gire el plato de montaje hasta que quede fijo en su lugar en la parte estrecha de los agujeros. (Fig. 13)

**Paso 3.** Asegúrala apretando los 2 tornillos de montaje del kit de luces previamente aflojados y el que se quitó previamente.

**Paso 4.** Mientras sostienes el kit de luces LED debajo del ensamblaje del motor del ventilador, cómo hacer las 2 pines conexiones de enchufe polarizado: (Fig. 14)

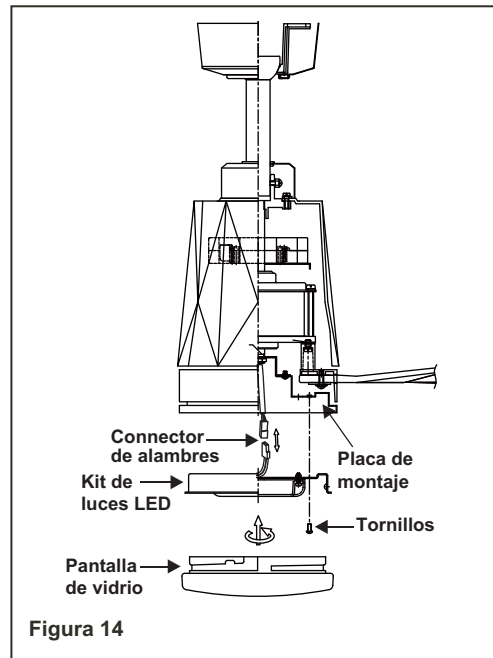
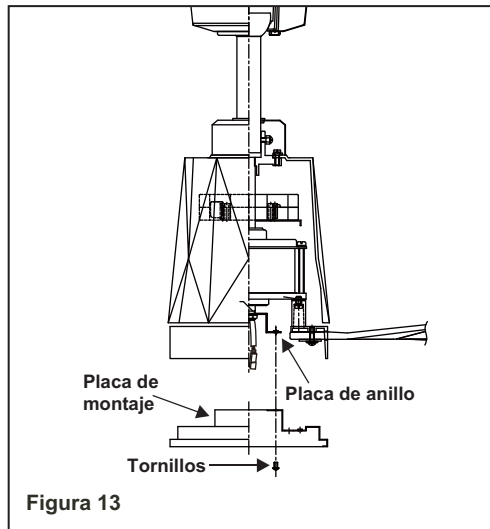
- Blanco con blanco - Negro con negro

**Paso 5.** Quite 1 de los 3 tornillos del anillo de montaje y afloje los otros 2 tornillos. (No los quite)

**Paso 6.** Coloca los orificios tipo ojo de cerradura en el kit de luces LED sobre los 2 tornillos

previamente aflojados de la placa de montaje, gira la placa de luces LED hasta que caiga en su lugar en la parte estrecha de los orificios tipo ojo de cerradura. Asegúrala apretando los 2 tornillos de montaje del kit de luces previamente aflojados y el que se quitó previamente. (Fig. 14)

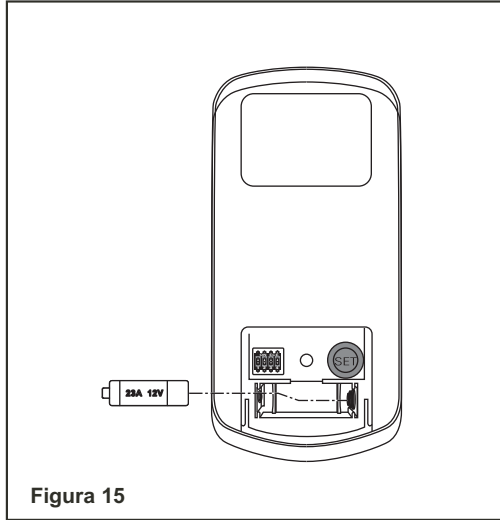
**Paso 7.** Coloque la pantalla de vidrio contra el placa de montaje y gírela en sentido de las manecillas del reloj hasta que quede firme y seguro. No lo sobre apriete.



*Instalación del kit de luces y la pantalla de vidrio 8.*

## Instalación de la Batería

Instala una batería de 12V (incluida) en el control remoto. Para prevenir daños al control remoto, sacala batería si no va a usarse por largo tiempo. (Fig. 15)



Definición de botón del control remoto: (Fig. 16)  
Estos seis botones se utilizan para ajustar la velocidad del ventilador:

- I = velocidad mínima
- II = velocidad baja
- III = velocidad media baja
- IV = velocidad media
- V = velocidad media alta
- VI = velocidad alta

■ botón: Este botón apaga el ventilador.

⤵ botón: Este botón controla la dirección del ventilador.

☀️ botón: Este botón sirve para controlar la luz. Cambie el interruptor "D" y "ON" de la parte posterior del transmisor para decidir el estado de "ENCENDIDO/ APAGADO" o "Atenuación". (Fig. 17)

Su motor DC sin escobillas está equipado con un control remoto de tipo aprendido automáticamente. No hay interruptores de frecuencia en el receptor; la unidad receptora escaneará automáticamente la frecuencia del control remoto si se realizan cambios. La configuración de frecuencia en el transmisor debe cambiarse SÓLO en caso de interferencia o si se instalan un segundo o más ventiladores de techo con el mismo tipo de sistema de control en la misma estructura.

### Cómo configurar el control remoto

Sigue los pasos más abajo para configurar el control remoto: La función de aprendizaje automático sólo es dentro de los 60 segundos al encender la corriente eléctrica al ventilador.

a) Seleccione la frecuencia deseada del transmisor. Los interruptores dip se pueden configurar en 16 combinaciones diferentes. (Fig. 17)

Desde la parte posterior del transmisor, con la energía del ventilador apagada, restablezca la alimentación del ventilador. Mantenga presionado el botón "SET" durante aproximadamente 5 segundos y suéltelo. Si se instala un kit de luces opcional, el juego de luces parpadeará dos veces y la luz de señal en el transmisor de mano se encenderá cuando se presione el botón. El ventilador completó el proceso de emparejamiento con el control remoto y está listo para usar. (Fig. 17)

**NOTA:** Si la prueba de autocalibración falló, apagar la corriente eléctrica al ventilador; restaurar la alimentación y procesar otra vez la prueba de autocalibración.

**NOTA:** Durante la prueba de calibración automática, el control remoto no funcionará.

**NOTA:** La función de la frecuencia de aprendizaje y prueba de autocalibración se continuará a estar and la memoria del ventilador incluso cuando la corriente se apague al ventilador. Si la frecuencia es cambiada la prueba de autocalibración se producirá otra vez.

Protección contra más de 80W: Cuando el receptor detecta que el consumo de energía del motor es de más de 80W, la alimentación del receptor se detiene y deja de funcionar inmediatamente. Vuelva a encender el receptor tras 5 segundos.

## 9. Operando su transmisor

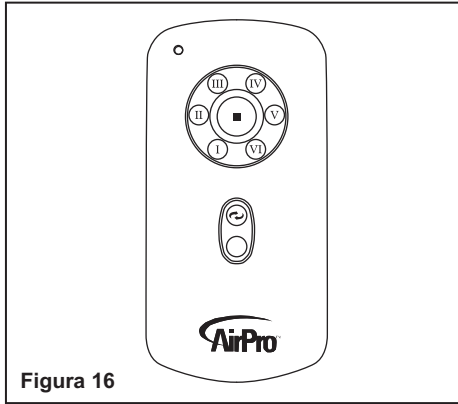


Figura 16

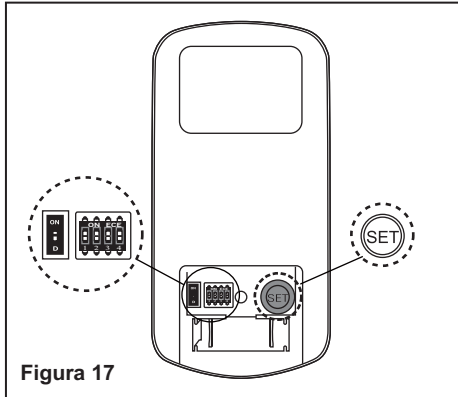


Figura 17

Los ajusters de velocidad para clima caliente o frío dependen de factores como el tamaño del cuarto, la altura del techo, cantidad de ventiladores, etc.

**NOTA:** Para activar el funcionamiento inverso de este ventilador, pulse el botón reverse (invertir) mientras está en marcha.

Clima cálido - (Hacia adelante) Un movimiento descendente de aire crea un efecto de enfriamiento como se muestra en la Figura 18. Esto permite fijar el aire acondicionado en un valor más alto sin afectar la comodidad del usuario.

Clima frío - (Retroceso) Un flujo de aire ascendente mueve el aire caliente alejándolo del área del techo como se muestra en la Figura 19. Esto permite fijar la unidad de calefacción en un valor más bajo sin afectar la comodidad usuario.

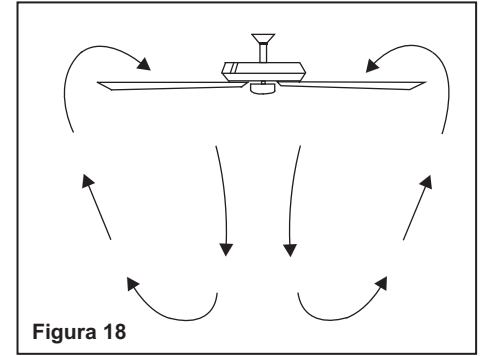


Figura 18

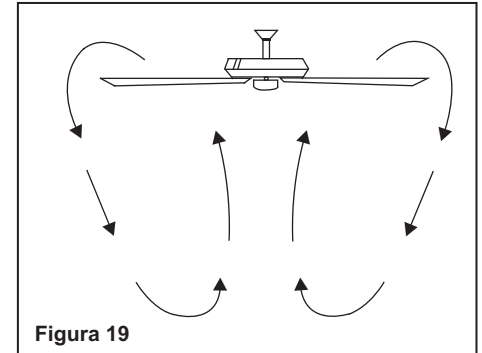


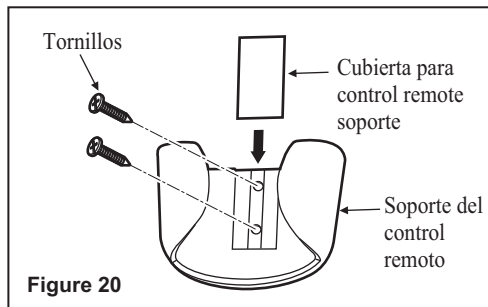
Figura 19

## Cómo instalar el Soporte del Control Remoto

**Step 1.** Retira la cubierta desde el soporte del control remoto.

**Step 2.** Sujeta el soporte del control remoto con los dos tornillos de montaje del soporte del control remoto. (Fig. 20)

**Step 3.** Vuelve a colocar la cubierta en el soporte del control remoto.



He aquí algunas sugerencias para ayudarle el mantenimiento del ventilador.

1. Debido al movimiento natural del ventilador, algunas conexiones se podrían aflojar. Examinar las conexiones del soporte, soportes, y accesorios de las aspas dos veces al año. Asegurarse de que estén seguros. (No es necesario retirar el ventilador del techo).

2. Limpiar el ventilador periódicamente para ayudar a mantener su apariencia de nuevo con el transcurso del tiempo. Usar solamente un cepillo suave o paño sin hilas para evitar rayar el acabado. El recubrimiento metálico se sella con una laca para minimizar la decoloración o manchado. No usar agua al limpiarlo o posiblemente causar choque eléctrico.

3. No hay necesidad de aceitar el ventilador. El motor tiene cojinetes permanentemente lubricados.

**ADVERTENCIA**  
ASEGURARSE DE QUE LA  
ELECTRICIDAD ESTÉ DESACTIVADA EN  
EL TABLERO DE DISTRIBUCIÓN  
ELÉCTRICA ANTES DE INTENTAR  
CUALQUIER REPARACIÓN REFERIRSE A  
LA SECCIÓN "CÓMO EFECTUAR  
CONEXIONES ELÉCTRICAS".

## 11. Cómo cuidar del ventilador

## Problema

## Solución

El ventilador no arranca.

1. Revisar los fusibles o interruptores de circuitos.
2. Verificar las conexiones de cables de línea al ventilador y conexiones de cable del interruptor.  
**PRECAUCIÓN:** Asegurarse de que la fuente principal de electricidad esté desactivada.

El ventilador hace mucho ruido.

1. Asegurarse de que todos los tornillos de la cubierta del motor estén ajustados.
2. Asegurarse de que los tornillos que sujetan el soporte de aspas del ventilador al eje del motor estén apretados.
3. Asegurarse de que las conexiones de tuercas para cable no estén rozando unas contra otras o contra la pared interior de la cubierta protectora del interruptor.  
**PRECAUCIÓN:** Asegurarse de que la fuente principal de electricidad esté desactivada.
4. Permitir un período de "desgaste" de 24 horas. La mayoría de los ruidos asociados con un ventilador nuevo desaparecen durante este tiempo.
5. Si se está usando un juego opcional de iluminación para el ventilador de techo, asegurarse de que los tornillos que aseguran el vidrio estén apretados. Asimismo, verificar que la bombilla esté segura.
6. Algunos motores son sensibles a las señales provenientes de controles de velocidad variable de estado sólido. Si tiene instalado este tipo de control, elegir e instalar otro tipo.
7. Asegurarse de que el escudete superior esté a una corta distancia del techo. No debe hacer contacto con el techo.

El ventilador de techo ha perdido su programación repetidamente.

1. Apague la alimentación de CA del ventilador y repita los pasos para la programación en la página 9.
2. No apague el ventilador del interruptor de pared estándar. Use solo nuestro interruptor de pared o su control remoto para regular el ventilador.

*Resolución de problemas 12.*

Tamaño del Ventilador	Velocidad	Voltios	Amperios	Vatios	RPM	CFM	N.W.	G.W.	C.F.
<b>60"</b> <b>(152 cm)</b>	Baja	120	0.046	1.98	49	2129.74	14.55 lbs	16.88 lbs	1.70'
	Alta	120	0.45	32.08	149	6846.39			

Estas son mediciones aproximadas. No incluyen los Amperios y vatios usado por el juego de eliminación.

Este equipo cumple con lo establecido en la Parte 15 de la Normativa FCC. Su funcionamiento está sujeto a las dos condiciones siguientes: (1) Este equipo no causará interferencias perjudiciales y (2) este equipo tolerará cualquier interferencia recibida, incluidas las interferencias que puedan provocar un funcionamiento no deseado.

**Advertencia:** los cambios o modificaciones en esta unidad no aprobados expresamente por la parte responsable del cumplimiento podrían anular la autoridad del usuario para utilizar el equipo.

**NOTA:** este equipo ha sido probado y cumple con los límites establecidos para dispositivos digitales de clase B, según el apartado 15 de las Normas de la FCC. Dichos límites han sido definidos para proporcionar una protección razonable frente a interferencias perjudiciales en una instalación residencial. Este equipo genera, utiliza y puede desprender energía de radiofrecuencia y, si no se instala y se utiliza según las instrucciones, puede causar interferencias dañinas a la radiocomunicación.

Sin embargo, no es posible garantizar que el equipo no provoque interferencias en una instalación particular. Si este equipo provoca interferencias perjudiciales a la recepción de radio o televisión, lo que puede determinarse encendiéndolo y apagándolo, es recomendable intentar corregir dichas interferencias mediante una o varias de las siguientes medidas:

- Vuelva a orientar o cambie de lugar la antena receptora.
- Aumente la separación entre el equipo y el receptor.
- Conecte el equipo en una toma de corriente en un circuito diferente al que el receptor está conectado.
- Consulte con el distribuidor o con un técnico especialista en radio/televisión para más ayuda.

©2019 Progress Lighting, Inc.  
701 Millennium Blvd.,  
Greenville, SC 29607  
All Rights Reserved

## *13. Especificaciones*