

ADVANTAGE SELECT

Adjustable 5CCT Downlight

The Advantage Select series recessed downlights make it simple and affordable to upgrade existing recessed housings to LED. Another added benefit to the Advantage Select series is the 5-in-1 selectable color temperature settings ranging from a warm white 2700K up to 5000K daylight. Simply set to your desired color temp with ease and change with future updates for years to come.

- Excellent color rendering (90+ CRI)
- Five selectable color temperatures:
2700K / 3000K / 3500K / 4000K / 5000K
- Lumen output up to 1200 Lumens
- Fits most standard 4", 5" and 6" recessed housings
- Dimmable with most TRIAC dimmers
- cETLus Listed for wet locations
- 50,000 hours rated life
- ENERGY STAR Certified
- JA8 Compliant



PROJECT:
TYPE:
LOCATION:
CATALOG NUMBER:



4" ADVANTAGE SELECT



WHITE BAFFLE



DARK BRONZE



5/6" ADVANTAGE SELECT



WHITE BAFFLE



DARK BRONZE

ADVANTAGE SELECT SERIES QUICK SPECS

VOLTAGE	120V AC, 60Hz
WATTAGE	10W / 15W
LUMENS	700Lm / 820Lm / 1000Lm / 1200Lm
CCT OPTIONS	2700K / 3000K / 3500K / 4000K / 5000K
CRI	90+
MOUNTING	Retrofit Recessed mount
DIMMING	TRIAC / CL / ELV (10 - 100%)
BEAM ANGLE	120°
OPERATING TEMP	-20°C (-4°F) to 40°C (104°F)
CERTIFICATIONS	cETLus Listed - Wet Location
RATED LIFE	50,000 Hours

*LUMENS LISTED BASED ON 4000K CCT SETTING

ADVANTAGE SELECT SERIES ORDERING INFORMATION

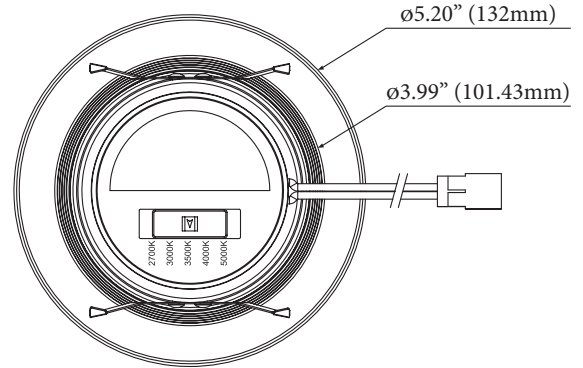
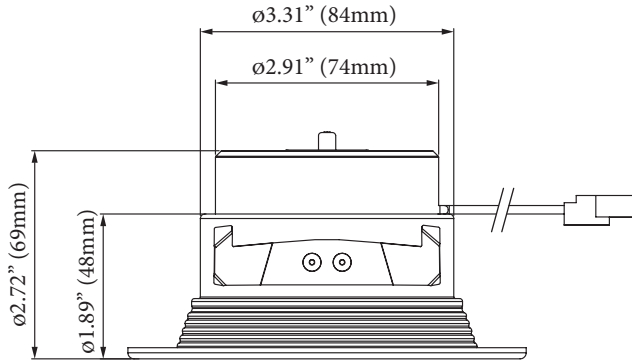
ITEM NUMBER	DESCRIPTION	FINISH	VOLTAGE	CCT	CRI	LUMENS	WATTAGE	DIMMING
AD4-5CCT-WH	4" Advantage Select	White	120V	5CCT	90+	820Lm	10W	TRIAC
AD4B-5CCT-WH	4" Advantage Select	White Baffle	120V	5CCT	90+	820Lm	10W	TRIAC
AD4-5CCT-DB	4" Advantage Select	Dark Bronze	120V	5CCT	90+	700Lm	10W	TRIAC
AD56-5CCT-WH	5/6" Advantage Select	White	120V	5CCT	90+	1200Lm	15W	TRIAC
AD56B-5CCT-WH	5/6" Advantage Select	White Baffle	120V	5CCT	90+	1200Lm	15W	TRIAC
AD56-5CCT-DB	5/6" Advantage Select	Dark Bronze	120V	5CCT	90+	1000Lm	15W	TRIAC

ADVANTAGE 3000K SERIES ACCESSORIES

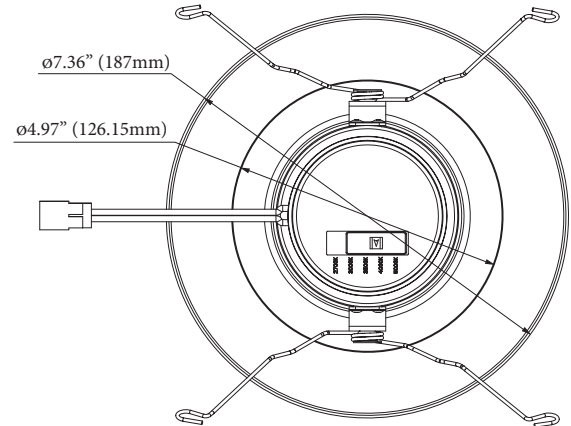
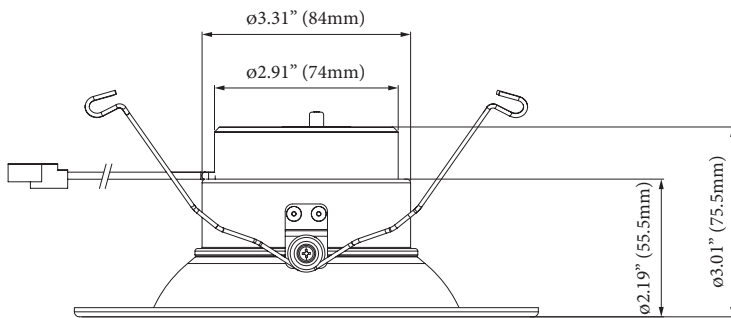
ITEM NUMBER	DESCRIPTION
AD56-5CCT-TORCLIPS	Torsion Clips for AD56-5CCT; For use in non-bullhorn cans

ADVANTAGE SELECT SERIES QUICK DIMENSIONS AD56

ADVANTAGE SELECT 4"



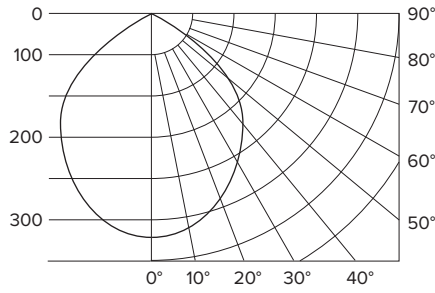
ADVANTAGE SELECT 5/6"



ADVANTAGE SELECT SERIES PHOTOMETRICS

AD4-5CCT

PART NUMBER	AD4-5CCT-WH
BEAM SPREAD	120°
LUMENS	820Lm
WATTAGE	10W
EFFICACY	82Lm per watt
CCT	@2700K
CRI	90

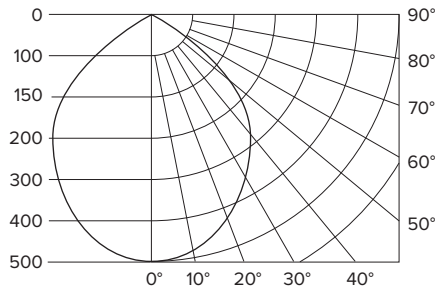


Foot Candles	Beam Dia.
15.3	5' 17.3'
10.6	6' 20.8'
7.8	7' 24.2'
6.0	8' 27.7'
4.7	9' 31.2'
3.8	10' 34.6'

Distance From Light

AD56-5CCT

PART NUMBER	AD56-5CCT-WH
BEAM SPREAD	120°
LUMENS	1200Lm
WATTAGE	15W
EFFICACY	80Lm per watt
CCT	@2700K
CRI	90



Foot Candles	Beam Dia.
10.4	5' 17.3'
7.3	6' 20.8'
5.3	7' 24.2'
4.1	8' 27.7'
3.2	9' 31.2'
2.6	10' 34.6'

Distance From Light

ADVANTAGE SELECT SERIES 4" RECOMMENDED DIMMERS

BRAND	MODEL #	MAX CURRENT OUT (MA)	MIN CURRENT IN (MA)	DIMMING RANGE (%)
Lutron	DVWCL-153PH-WH	60.00	0.00	0-87
Lutron	TGCL-153PH	69.00	0.00	0-100
Lutron	CTCL-153DH	69.00	0.00	0-100
Leviton	CL-6674	68.00	0.00	0-99
Lutron	MACL-153MR-WH	63.00	0.00	0-91
Leviton	CL-6672	68.00	2.00	3-99
Lutron	S-600HP	69.00	0.00	0-100
Lutron	DV-600PR	68.00	0.00	0-99
Leviton	VP106-1LZ	68.00	0.00	0-99
Lutron	SELV-300P-WH	68.00	0.00	0-99
Lutron	SLV-600P-IV	69.00	0.00	0-100
Lutron	CTCL-153P	68.00	0.00	0-99
Lutron	SCL-153P	68.00	0.00	0-99
Leviton	CL-6683	69.00	0.00	0-100
Leviton	IPL06	69.00	0.00	0-100
Lutron	TGCL-153P	69.00	0.00	0-100
Lutron	DVCL-153P	69.00	0.00	0-100
Lutron	SLV-600P	68.00	0.00	0-99
Lutron	DV-600PR-LA	68.00	0.00	0-99
Lutron	DVSCSELV-300P-SW	69.00	0.00	0-100
Leviton	6674-P	69.00	0.00	0-100
Lutron	SELV-303P-WH	68.00	0.00	0-99
Lutron	DVCL-153P-WH	68.00	0.00	0-99
Lutron	MACL-153M-WH	67.00	0.00	0-97
Lutron	CTCL-153PDH-WH	69.00	0.00	0-100

Dimmer performance may vary in field application due to unknown external factors. Dimmers not included on the chart above are not necessarily incompatible; they have yet to be fully evaluated. Please reference dimmer manufacturer's instructions for more detailed information regarding performance and compatibility. Test data listed above is based on single lamp data.

ADVANTAGE SELECT SERIES 5/6" RECOMMENDED DIMMERS

BRAND	MODEL #	MAX CURRENT OUT (MA)	MIN CURRENT IN (MA)	DIMMING RANGE (%)
Lutron	DVWCL-153PH-WH	89.00	0.00	0-92
Lutron	TGCL-153PH	95.00	0.00	0-98
Lutron	CTCL-153DH	95.00	0.00	0-98
Leviton	CL-6674	95.00	0.00	0-98
Lutron	MACL-153MR-WH	95.00	0.00	0-98
Leviton	CL-6672	96.00	2.00	2-98
Lutron	S-600HP	96.00	0.00	0-100
Lutron	DV-600PR	96.00	0.00	0-100
Leviton	VP106-1LZ	96.00	0.00	0-100
Lutron	SELV-300P-WH	94.00	0.00	0-97
Lutron	SLV-600P-IV	96.00	0.00	0-100
Lutron	CTCL-153P	95.00	0.00	0-98
Lutron	SCL-153P	95.00	0.00	0-98
Leviton	CL-6683	95.00	0.00	0-98
Leviton	IPL06	95.00	0.00	0-98
Lutron	TGCL-153P	96.00	0.00	0-100
Lutron	DVCL-153P	96.00	0.00	0-100
Lutron	SLV-600P	95.00	0.00	0-98
Lutron	DV-600PR-LA	95.00	0.00	0-98
Lutron	DVSCSELV-300P-SW	95.00	0.00	0-98
Leviton	6674-P	94.00	0.00	0-97
Lutron	SELV-303P-WH	94.00	0.00	0-97
Lutron	DVCL-153P-WH	94.00	0.00	0-97
Lutron	MACL-153M-WH	95.00	0.00	0-98
Lutron	CTCL-153PDH-WH	94.00	0.00	0-97

Dimmer performance may vary in field application due to unknown external factors. Dimmers not included on the chart above are not necessarily incompatible; they have yet to be fully evaluated. Please reference dimmer manufacturer's instructions for more detailed information regarding performance and compatibility. Test data listed above is based on single lamp data.