

630TPA Series Electronic Faucet with Surface Mount Control Box

TECK[®]
COMMERCIAL

DELTA[®]

SPECIFICATION: (EXAMPLE)

- Battery and plug-in models – supplied as complete product
- Hardwire – requires separate order of AC filter and transformer
- Less power – units supplied with ganging/splitter cable for use with plug-in model (1 plug-in unit can be used to connect up to 4 less power units)
- **Proximity[®] Sensing Technology**
- Chrome-plated Ara[®] spout
- **Battery** (4 'C' cell) or **Plug-in** (power supply included) or **Hardwire** (24 VAC) deckmount handwash system
- Adjustable sensing range and timeout
- Surface mount control box
- Mixing valve required (order separately)
- Serviceable filter screen upstream of the valve and... with... (specify battery, plug-in or hardwire)
with... (add outlet required)
with... (specify finish)
with... (4" coverplate – specify separately – see next pages)
with... (for plug-in or hardwire with battery backup – specify separately – see next pages)
with... (AC filter and transformer required for hardwire models – specify separately – see next pages)

630TPA320



Engineer/Architect Approval

Model Specified:

Approval:

Date:

MODEL NUMBER EXAMPLE:

Configurations vary, see below for availability.

630TPA320-PI-TR-SS

Finish
SS = Brilliance[®] Stainless
Blank = Chrome

Power Supply

- 0 = Hardwire operated
- 1 = Battery operated
- 2 = Plug-in power

Spout

- 3 = Ara[®] Spout

Outlet

- 2 = Vandal resistant laminar outlet
- 5 = Vandal resistant laminar outlet
- 9 = Vandal resistant spray outlet

Control Box

- 0 = Surface mount box (Available as complete model ONLY)
- 8 = Trim ONLY for recessed box (Must order rough-in number separately AND trim, AC filter and transformer for complete product) See DSP-630TPACB8

- PI = Plug-in power supply
- LP = Less power (Must order PI model separately)

- TR ONLY used for recessed box (not required for surface box)

AVAILABLE MODELS	SURFACE MOUNT CONTROL BOX			
	HARDWIRE	BATTERY OPERATED	PLUG-IN	LESS POWER
3 Deck Mount Ara [®] Spout	3 Deck Mount Ara [®] Spout	3 Deck Mount Ara [®] Spout	3 Deck Mount Ara [®] Spout	3 Deck Mount Ara [®] Spout
2 Vandal Resistant Laminar Outlet 1.5 gpm (5.7 L/min)	630TPA320 630TPA320-SS	631TPA320 631TPA320-SS	632TPA320-PI	632TPA320-LP
5 Vandal Resistant Laminar Outlet 0.5 gpm (1.9 L/min)	630TPA350 630TPA350-SS	631TPA350 631TPA350-SS	632TPA350-PI	632TPA350-LP
9 Vandal Resistant Spray Outlet 0.35 gpm (1.32 L/min)	630TPA390 630TPA390-SS	631TPA390 631TPA390-SS	632TPA390-PI	632TPA390-LP

Batteries included on all battery models.
Refer to www.specselect.com for individual models.

Flow Rates are at 60 PSI.
Note: Use all pages as product submittal sheets.

Delta reserves the right (1) to make changes in specifications and materials, and (2) to change or discontinue models, both without notice or obligation.
Dimensions are for reference only. See current full-line price book or www.specselect.com for finish options and product availability.

DSP-630TPACB0 Rev. A

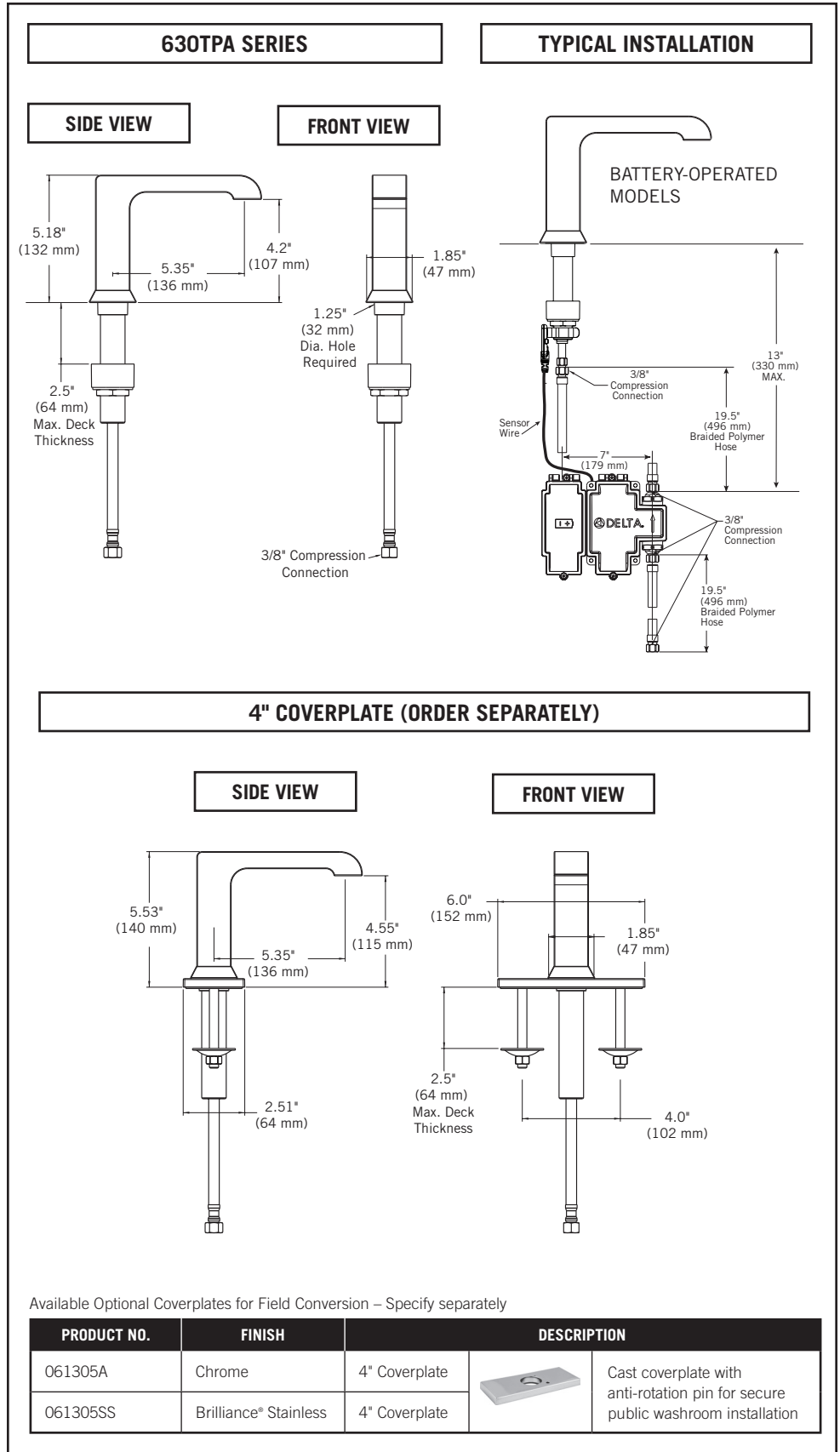
630TPA Series Electronic Faucet with Surface Mount Control Box

TECK
COMMERCIAL



DELTA

630TPA SERIES

- Vandal resistant laminar outlet
1.5 gpm (5.7 L/min)
 - ❑ 630TPA320 (Hardwire)
 - ❑ 630TPA320-SS (Hardwire)
 - ❑ 631TPA320 (Battery)
 - ❑ 631TPA320-SS (Battery)
 - ❑ 632TPA320-PI (Plug-in)
 - ❑ 632TPA320-LP (Less Power)
- Vandal resistant laminar outlet
0.5 gpm (1.9 L/min)
 - ❑ 630TPA350 (Hardwire)
 - ❑ 630TPA350-SS (Hardwire)
 - ❑ 631TPA350 (Battery)
 - ❑ 631TPA350-SS (Battery)
 - ❑ 632TPA350-PI (Plug-in)
 - ❑ 632TPA350-LP (Less Power)
- Vandal resistant laminar spray outlet
0.35 gpm (1.32 L/min)
 - ❑ 630TPA390 (Hardwire)
 - ❑ 630TPA390-SS (Hardwire)
 - ❑ 631TPA390 (Battery)
 - ❑ 631TPA390-SS (Battery)
 - ❑ 632TPA390-PI (Plug-in)
 - ❑ 632TPA390-LP (Less Power)



APPROVALS:

- CSA certified
- Complies to ASME A112.18.1/CSA B125.1
-  Indicates compliance to ICC/ANSI A117.1
-  Outlet option 2 is EPA WaterSense listed
- Verified compliant with 0.25% weighted average Pb content regulations

(Contact Delta Representative for State and/or Local Approvals.)

Patented

Note: Measurements may vary ± 6mm (0.25")

Batteries included on all battery models.
Refer to www.specselect.com for individual models.

Flow Rates are at 60 PSI.
Note: Use all pages as product submittal sheets.

630TPA Series Electronic Faucet with Surface Mount Control Box

TECK
COMMERCIAL

DELTA

630TPA3 SERIES – HARDWIRE MODELS

- Vandal resistant laminar outlet
1.5 gpm (5.7 L/min)
- 630TPA320**
- 630TPA320-SS**

- Vandal resistant laminar outlet
0.5 gpm (1.9 L/min)
- 630TPA350**
- 630TPA350-SS**

- Vandal resistant laminar spray outlet
0.35 gpm (1.32 L/min)
- 630TPA390**
- 630TPA390-SS**

OPERATION:

- Hands free (touchless) operation.
- No visible sensor, the spout is the sensor.
- Water flows when sensing is activated.
- Water flow stops upon de-activation of sensing.
- Adjustable sensing distance, factory set to approximately 3" (76 mm).
- Adjustable auto shut off feature. Factory set to 45 seconds.
- Metering mode with selectable flow times of 7 seconds to 4 minutes, factory set off.
- Periodic Rinse feature, time adjustable in 6 hour increments up to 2 days. Selectable rinsing time from 10 to 180 seconds. Factory set off.

NOTE 1: Designed for routine 180°F (82°C) disinfection cycles up to 10 minutes.

NOTE 2: Use only Delta® supplied cable sets. Using non-Delta® cables, cutting or splitting any components will void the warranty.

NOTE 3: Proximity® models not for use on enamel covered metal sinks or metal counter tops.

NOTE 4: Use 2-conductor 18 AWG wire for all electrical connections.

NOTE 5: Use Delta® Commercial approved AC filters and transformers.

AVAILABLE OPTIONS FOR FIELD CONVERSION

- 063268A**
Hardwire with Battery Backup
See **DSP-BBBox** for detailed specification.
- 060651A**
3 Position Switch
See **DSP-ELACC** for detailed specification.

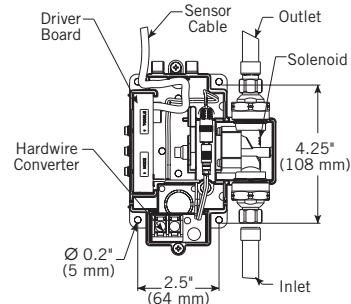
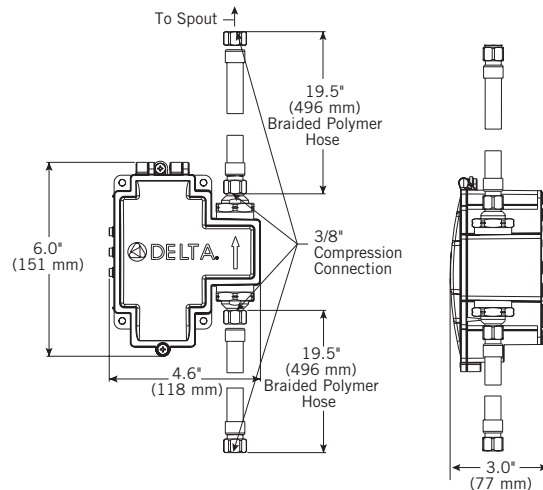
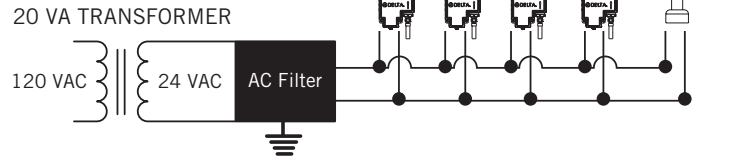
Note: Measurements may vary ± 6mm (0.25")

HARDWIRE MODELS

20 VA TRANSFORMER CONFIGURATION

- A maximum of one (1) AC filter can be connected to a 20 VA transformer
- A maximum combination of five (5) Delta® Commercial faucets and/or flush valves can be connected to the AC filter
- See Maintenance and Installation guide for example of 40 VA transformer

NOTE:
AC filter and transformer required.
(Order separately).



ACCESSORIES

060704A	120 to 24 VAC Class 2 20 VA (Up to 5 Electronic Valves)
060771A	120 to 24 VAC Class 2 40 VA (Up to 10 Electronic Valves)
061256A	36" Sensor Cable Extension
063271A*	AC Filter 24 VAC to 18 VDC (Up to 5 Electronic Valves)
063267A*	AC Filter 24 VAC to 18 VDC plus 120 to 24 VAC Class 2 20 VA (Up to 5 Electronic Valves)

*Note: AC filter required for hardwire Proximity® models. One (1) AC filter for up to 5 valves.

Refer to www.specselect.com for individual models.

Flow Rates are at 60 PSI.
Note: Use all pages as product submittal sheets.

Delta reserves the right (1) to make changes in specifications and materials, and (2) to change or discontinue models, both without notice or obligation. Dimensions are for reference only. See current full-line price book or www.specselect.com for finish options and product availability.

DSP-630TPACB0 Rev. A

630TPA Series Electronic Faucet with Surface Mount Control Box

TECK
COMMERCIAL

DELTA

631TPA3 SERIES BATTERY-OPERATED MODELS

- Vandal resistant laminar outlet
1.5 gpm (5.7 L/min)
- 631TPA320
- 631TPA320-SS
- Vandal resistant laminar outlet
0.5 gpm (1.9 L/min)
- 631TPA350
- 631TPA350-SS
- Vandal resistant laminar spray outlet
0.35 gpm (1.32 L/min)
- 631TPA390
- 631TPA390-SS

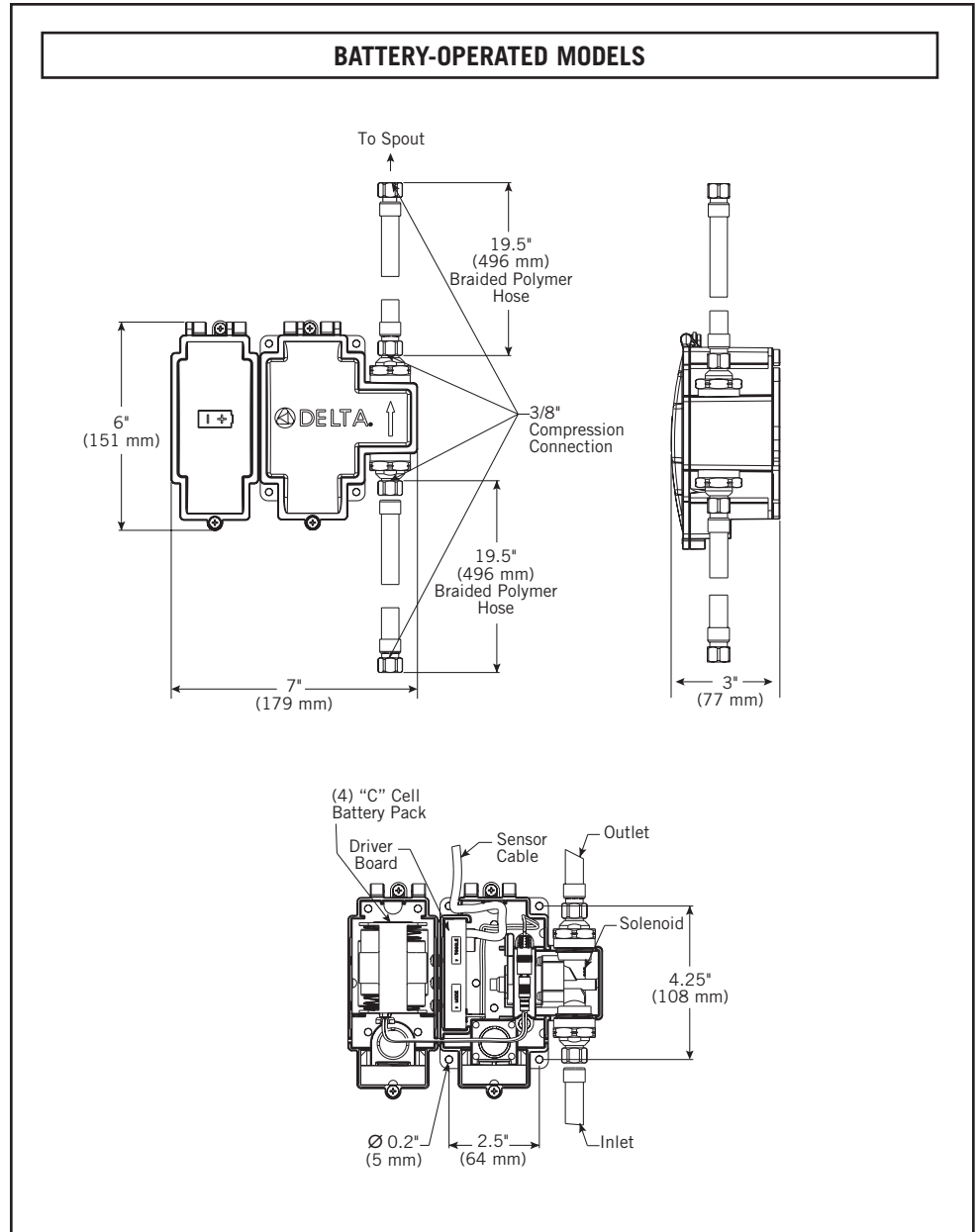
OPERATION:

- Hands free (touchless) operation.
- No visible sensor, the spout is the sensor.
- Water flows when sensing is activated.
- Water flow stops upon de-activation of sensing.
- Adjustable sensing distance, factory set to approximately 3" (76 mm).
- Low battery audible beep (for battery models only) will activate after faucet shuts off when low battery condition exists.
- Adjustable auto shut off feature. Factory set to 45 seconds.
- Metering mode with selectable flow times of 7 seconds to 4 minutes, factory set off.
- Periodic Rinse feature, time adjustable in 6 hour increments up to 2 days. Selectable rinsing time from 10 to 180 seconds. Factory set off.

NOTE 1: Designed for routine 180°F (82°C) disinfection cycles up to 10 minutes.

NOTE 2: Use only Delta® supplied cable sets. Using non-Delta® cables, cutting or splitting any components will void the warranty.

NOTE 3: Proximity® models not for use on enamel covered metal sinks or metal counter tops.



AVAILABLE OPTIONS FOR FIELD CONVERSION

- 060651A
3 Position Switch
See **DSP-ELACC** for detailed specification.

ACCESSORIES

- | | |
|---------|----------------------------|
| 061256A | 36" Sensor Cable Extension |
|---------|----------------------------|

Note: Measurements may vary ± 6mm (0.25")

Batteries included on all battery models.
Refer to www.specselect.com for individual models.

Flow Rates are at 60 PSI.
Note: Use all pages as product submittal sheets.

DSP-630TPACBO Rev. A

Delta reserves the right (1) to make changes in specifications and materials, and (2) to change or discontinue models, both without notice or obligation. Dimensions are for reference only. See current full-line price book or www.specselect.com for finish options and product availability.

630TPA Series Electronic Faucet with Surface Mount Control Box

TECK
COMMERCIAL

DELTA

632TPA3 SERIES – PLUG-IN MODELS

- Vandal resistant laminar outlet
1.5 gpm (5.7 L/min)

❑ **632TPA320-PI**

- Vandal resistant laminar outlet
0.5 gpm (1.9 L/min)

❑ **632TPA350-PI**

- Vandal resistant laminar spray outlet
0.35 gpm (1.32 L/min)

❑ **632TPA390-PI**

OPERATION:

- Hands free (touchless) operation.
- No visible sensor, the spout is the sensor.
- Water flows when sensing is activated.
- Water flow stops upon de-activation of sensing.
- Adjustable sensing distance, factory set to approximately 3" (76 mm).
- Adjustable auto shut off feature. Factory set to 45 seconds.
- Metering mode with selectable flow times of 7 seconds to 4 minutes, factory set off.
- Periodic Rinse feature, time adjustable in 6 hour increments up to 2 days. Selectable rinsing time from 10 to 180 seconds. Factory set off.

NOTE 1: Designed for routine 180°F (82°C) disinfection cycles up to 10 minutes.

NOTE 2: Use only Delta® supplied cable sets. Using non-Delta® cables, cutting or splitting any components will void the warranty.

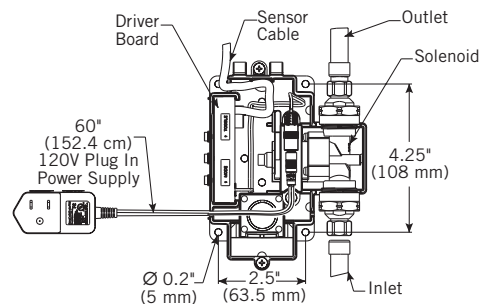
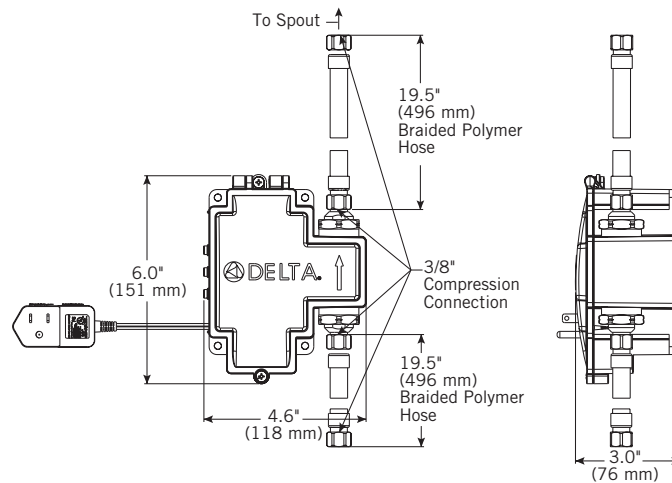
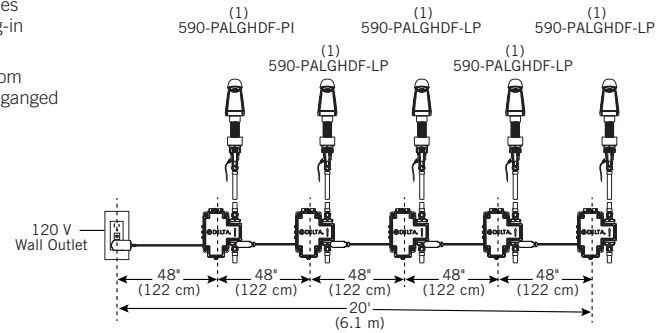
NOTE 3: Proximity® models not for use on enamel covered metal sinks or metal counter tops.

PLUG-IN MODELS

PLUG-IN AND LESS POWER FAUCET CONFIGURATION

- A maximum combination of 5 faucets or 4 ganging cables can be connected to 1 plug-in power supply
- A maximum of 20' (6 m) from power source for 5 faucets ganged as shown in this example

EXAMPLE OF A BANK OF 5 FAUCETS GANGED:
(1) 590-PALGHDF-PI, (4) 590-PALGHDF-LP



AVAILABLE OPTIONS FOR FIELD CONVERSION

❑ **063268A**

Hardwire with Battery Backup

See **DSP-BBBox** for detailed specification.

❑ **060651A**

3 Position Switch

See **DSP-ELACC** for detailed specification.

ACCESSORIES

061256A	36" Sensor Cable Extension
063266A*	Plug-in Power Supply (60") 6 VDC
063272A*	Ganging/Splitter Cable (60")

Note: Measurements may vary \pm 6mm (0.25")

*Note: Maximum combination of 5 faucets and 4 ganging cables can be connected to 1 plug-in power supply.

Refer to www.specselect.com for individual models.

Flow Rates are at 60 PSI.
Note: Use all pages as product submittal sheets.

Delta reserves the right (1) to make changes in specifications and materials, and (2) to change or discontinue models, both without notice or obligation. Dimensions are for reference only. See current full-line price book or www.specselect.com for finish options and product availability.

DSP-630TPACB0 Rev. A

630TPA Series Electronic Faucet with Surface Mount Control Box

TECK
COMMERCIAL

DELTA

632TPA3 SERIES – LESS POWER MODELS

- Vandal resistant laminar outlet
1.5 gpm (5.7 L/min)
- ☐ **632TPA320-LP** (Less Power)
- Vandal resistant laminar outlet
0.5 gpm (1.9 L/min)
- ☐ **632TPA350-LP** (Less Power)
- Vandal resistant laminar spray outlet
0.35 gpm (1.32 L/min)
- ☐ **632TPA390-LP** (Less Power)

OPERATION:

- Hands free (touchless) operation.
- No visible sensor, the spout is the sensor.
- Water flows when sensing is activated.
- Water flow stops upon de-activation of sensing.
- Adjustable sensing distance, factory set to approximately 3" (76 mm).
- Adjustable auto shut off feature. Factory set to 45 seconds.
- Metering mode with selectable flow times of 7 seconds to 4 minutes, factory set off.
- Periodic Rinse feature, time adjustable in 6 hour increments up to 2 days. Selectable rinsing time from 10 to 180 seconds. Factory set off.

NOTE 1: Designed for routine 180°F (82°C) disinfection cycles up to 10 minutes.

NOTE 2: Use only Delta® supplied cable sets. Using non-Delta® cables, cutting or splitting any components will void the warranty.

NOTE 3: Proximity® models not for use on enamel covered metal sinks or metal counter tops.

NOTE 4: Less Power (LP) models must be used with Plug-in (PI) model **ONLY**.

AVAILABLE OPTIONS FOR FIELD CONVERSION

☐ **063268A**

Hardwire with Battery Backup

See **DSP-BBBox** for detailed specification.

☐ **060651A**

3 Position Switch

See **DSP-ELACC** for detailed specification.

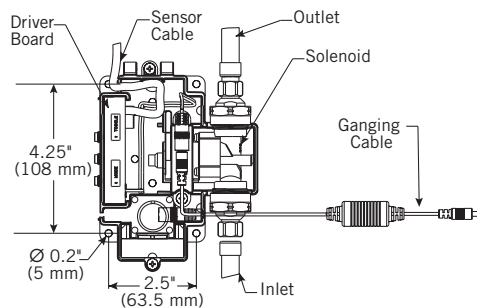
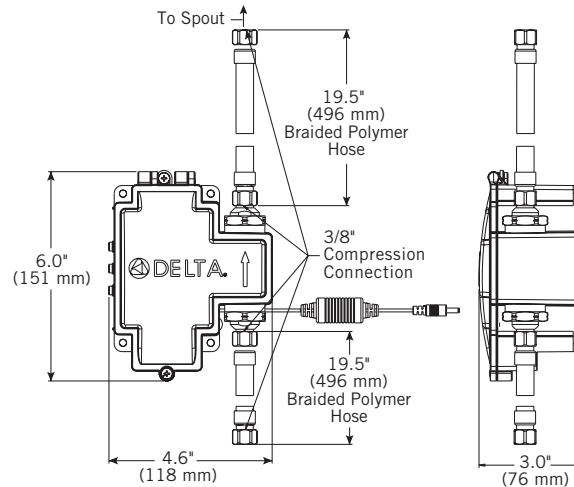
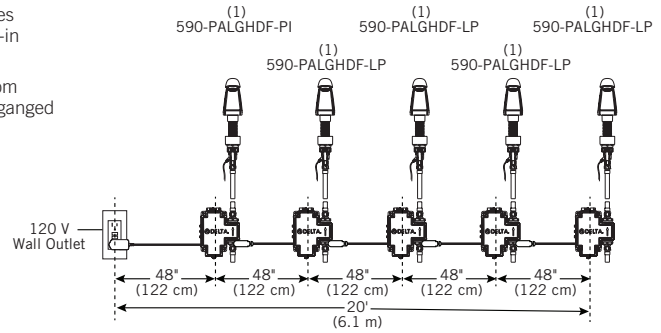
Note: Measurements may vary ± 6mm (0.25")

LESS POWER MODELS

PLUG-IN AND LESS POWER FAUCET CONFIGURATION

- A maximum combination of 5 faucets or 4 ganging cables can be connected to 1 plug-in power supply
- A maximum of 20' (6 m) from power source for 5 faucets ganged as shown in this example

EXAMPLE OF A BANK OF 5 FAUCETS GANGED:
(1) 590-PALGHDF-PI, (4) 590-PALGHDF-LP



ACCESSORIES

061256A	36" Sensor Cable Extension
063266A*	Plug-in Power Supply (60") 6 VDC
063272A*	Ganging/Splitter Cable (60")

*Note: Maximum combination of 5 faucets and 4 ganging cables can be connected to 1 plug-in power supply.

Refer to www.specselect.com for individual models.

Flow Rates are at 60 PSI.
Note: Use all pages as product submittal sheets.

DSP-630TPACBO Rev. A

Delta reserves the right (1) to make changes in specifications and materials, and (2) to change or discontinue models, both without notice or obligation. Dimensions are for reference only. See current full-line price book or www.specselect.com for finish options and product availability.