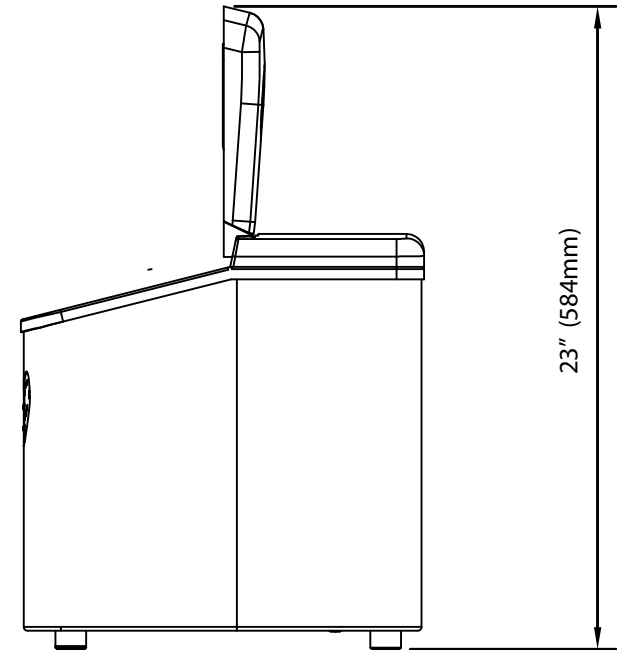
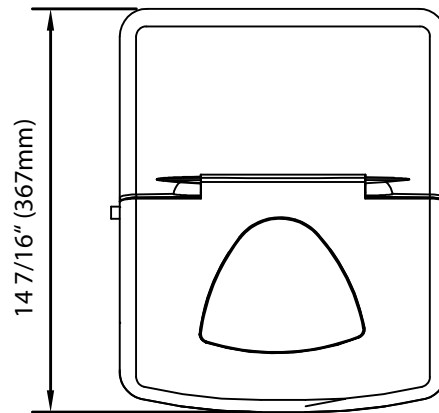
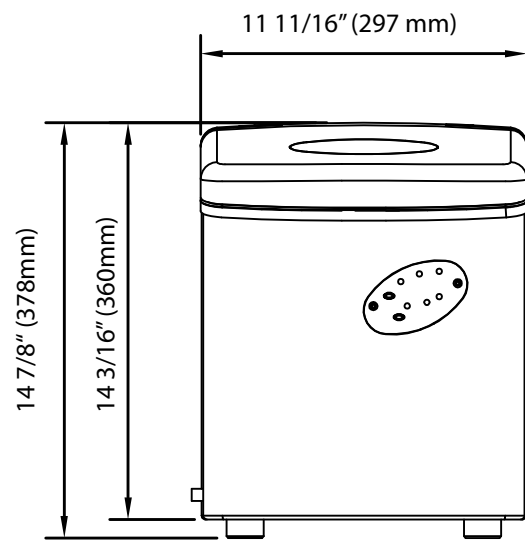


# EDGESTAR®

Document Type: Dimensional Drawing

Model: PIM100BL, PIM100SS

Version: V1.0 01082020



EdgeStar, 8606 Wall St, Suite 1600, Austin, TX 78754  
www.edgestar.com • contact@edgestar.com

*\*Warranty service should be performed by an authorized service representative only.*