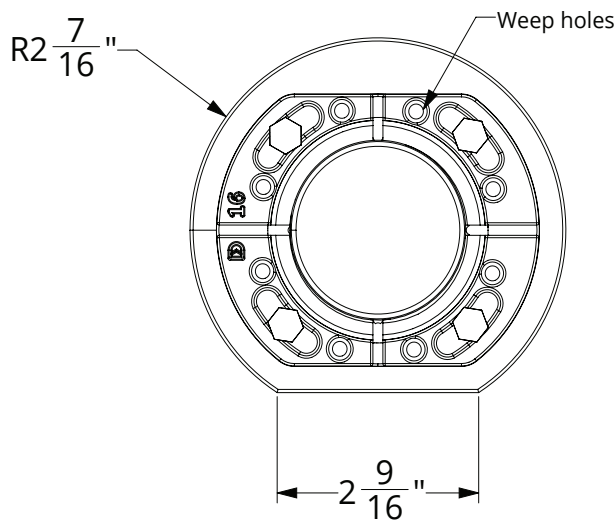


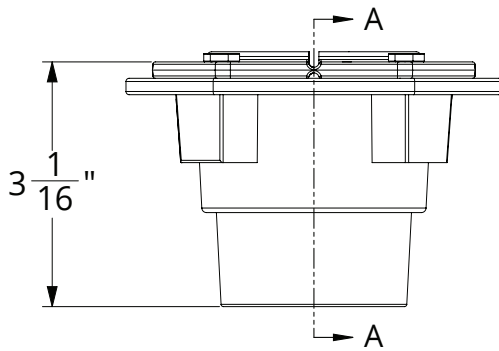
CDIH 22

Features:

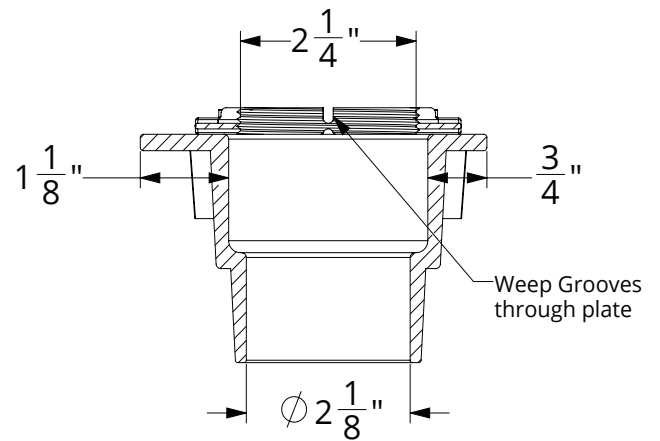
- Cast Iron Clamp Down Drain
- 2" Throat
- 2" No-Hub Outlet
- Designed for Hot Mop applications
- Compatible with:
 - All Site Sizable (S) models (except 99 Series)
 - All FX models (except 125 series)
 - All FCB models
 - All Center Drains (except TD & High Flow)



TOP VIEW



FRONTVIEW



SECTION A-A

Infinity Drain
 145 Dixon Avenue
 Amityville, NY 11701
 Phone: 516.767.6786
 Fax: 516.740.3066
 www.infinitydrain.com



NOTE: Installer must verify all rough-in dimensions prior to installation and consult local and national codes. Conformity and compliance to local and national codes are the responsibility of the installer.