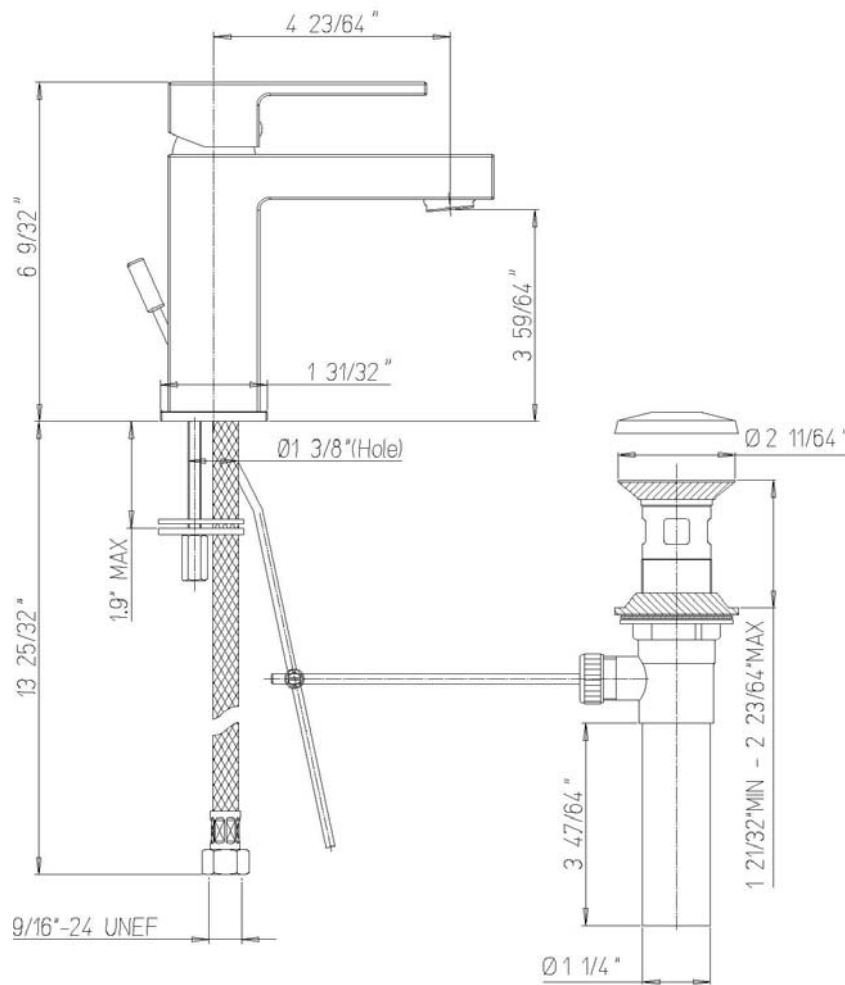


INSTALLATION DIMENSIONS

**Serie Scala**

8421100

Single Control Lavatory



1-877-55-FORTIS (36784)

19701 Da Vinci  
Lake Forest, CA 92610

WWW.FORTISFAUCET.COM

**FORTIS**  
FURO DESIGN ITALIANO

## Serie Scala

8421100

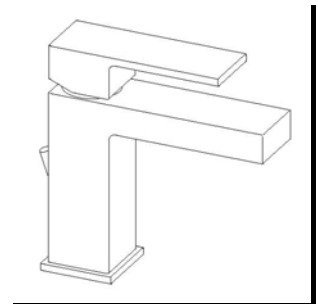
Single Control Lavatory

### STANDARDS

- Comply with ASME A112.18.1-B125.1
- Comply with AB1953
- Comply with EPA Water Sense
- Comply with ANSI NSF61 – Annex G
- Certified by CSA International
- Comply with ANSI A117.1

<b>Finishes</b>	8421100PC	8421100BN
Polished Chrome	X	
Brushed Nickel		X

<b>Features</b>	8421100PC	8421100BN
Solid Brass Construction	X	X
Single Control Ceramic Disc Valve	X	X
Meets NSF 61/9 Annex G Lead Requirements	X	X
Meets EPA Watersense Certification 1.5gpm, 5.7L/Min	X	X
ADA Compliant	X	X
Metal Pop-up	X	X
1 hole installation. Optional 3-hole deckplate sold separately	X	X
Step-By-Step Installation Instructions	X	X
Limited Lifetime Warranty	X	X



Project: \_\_\_\_\_  
 Contractor: \_\_\_\_\_