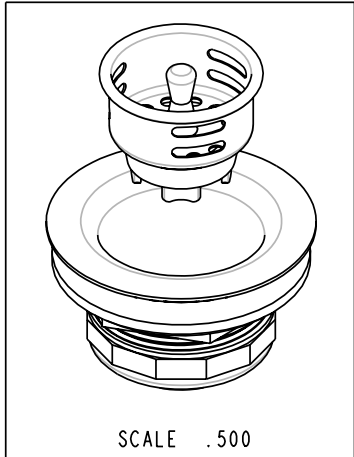


BILL OF MATERIAL (CURRENT LEVEL)				
ITEM	PT/ASSY	DESCRIPTION	TYPE	QTY.
1	50132	BODY	PART	1
2	50133	BASKET	PART	1
3	50135	STOPPER	PART	1
4	91138	GASKET .025 IN. THK	PART	1
5	50134	POST	PART	1
6	91140	GASKET	PART	1
7	50136	NUT	PART	1
8	91127	WASHER-PLASTIC	PART	1
9	50137	LOCK NUT	PART	1



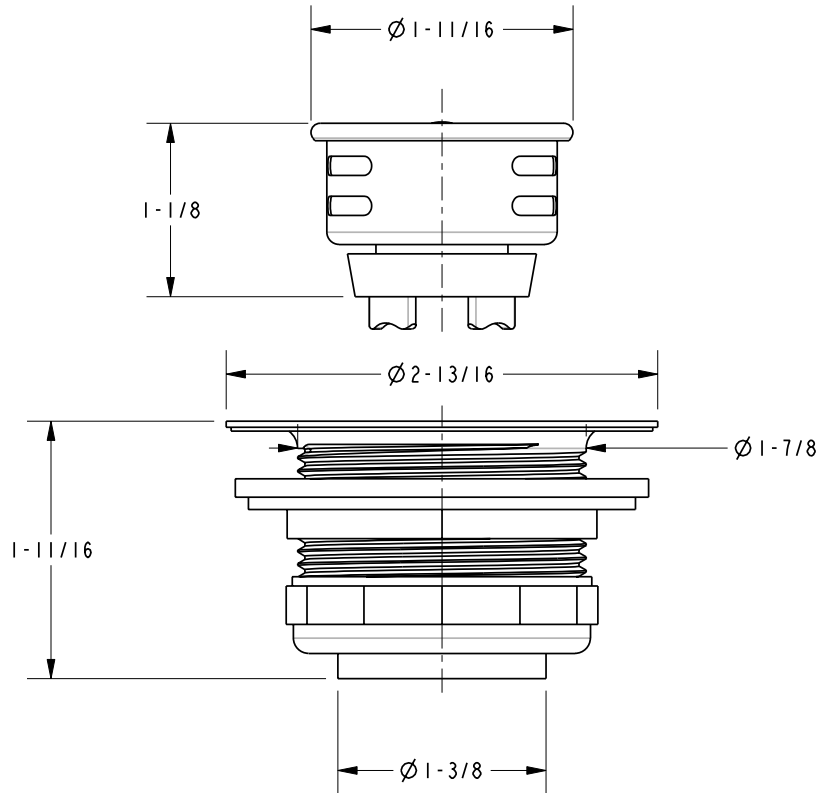
COPYRIGHT 2005 BRASSTECH, INC. THESE DRAWINGS AND THE DESIGNS DEPICTED HEREIN ARE THE PROPRIETARY PROPERTY OF BRASSTECH. ANY USE OR REPRODUCTION IS SUBJECT TO THE EXPRESS APPROVAL OF BRASSTECH. UNAUTHORIZED USE IS STRICTLY PROHIBITED. ALL RIGHTS RESERVED.

BRASSTECH
INCORPORATED
2001 E. CARNEGIE AVE.
SANTA ANA, CA 92705
(949) 417-5207

BAR SINK STRAINER

ASSY. NO.	131	-	-	-
SCALE .350	REF. -	SHEET 1 OF 2	REV	REV DESC
			RELEASED	PRE '95
				DATE

SPECIFICATION DWG



DIMENSIONS ARE IN INCHES AND AN APPROXIMATION OF A TYPICAL INSTALLATION

COPYRIGHT 2005 BRASSTECH, INC. THESE DRAWINGS AND THE DESIGNS DEPICTED HEREIN ARE THE PROPRIETARY PROPERTY OF BRASSTECH. ANY USE OR REPRODUCTION IS SUBJECT TO THE EXPRESS APPROVAL OF BRASSTECH. UNAUTHORIZED USE IS STRICTLY PROHIBITED. ALL RIGHTS RESERVED.

BRASSTECH		2001 E. CARNEGIE AVE.	
INCORPORATED		SANTA ANA, CA 92705	
		(949) 417-5207	
DWG NO.	131	REV	-
SCALE	.800	REF.	-
		SHEET	2 OF 2