

ADVANTAGE SELECT

Adjustable 5CCT Downlight

The Advantage Select series recessed downlights make it simple and affordable to upgrade existing recessed housings to LED. Another added benefit to the Advantage Select series is the 5-in-1 selectable color temperature settings ranging from a warm white 2700K up to 5000K daylight. Simply set to your desired color temp with ease and change with future updates for years to come.

- Excellent color rendering (90+ CRI)
- Aluminum housing with polycarbonate lens
- Five selectable color temperatures: 2700K / 3000K / 3500K / 4000K / 5000K
- Lumen output up to 1200 Lumens
- Fits most standard 4", 5" and 6" recessed housings
- Dimmable with most TRIAC dimmers
- cETLus Listed for wet locations
- 50,000 hours rated life
- ENERGY STAR Certified
- JA8 Compliant

PROJECT:
TYPE:
LOCATION:
CATALOG NUMBER:



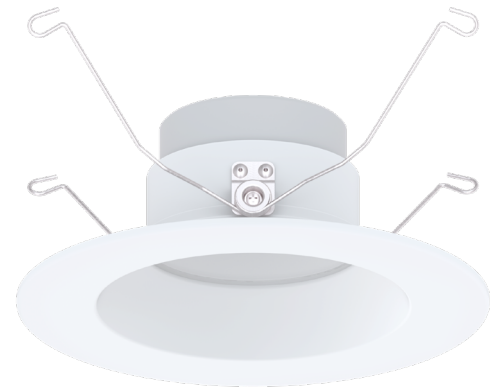
4" ADVANTAGE SELECT



WHITE BAFFLE



DARK BRONZE



5/6" ADVANTAGE SELECT



WHITE BAFFLE



DARK BRONZE



BLACK



ADVANTAGE SELECT SERIES QUICK SPECS

VOLTAGE	120V AC, 60Hz
WATTAGE	10W / 15W
LUMENS	See Ordering Information
CCT OPTIONS	2700K / 3000K / 3500K / 4000K / 5000K
CRI	90+
MOUNTING	Retrofit Recessed mount
DIMMING	TRIAC / CL / ELV (10 - 100%)
BEAM ANGLE	95°
OPERATING TEMP	-20°C (-4°F) to 40°C (104°F)
CERTIFICATIONS	cETLus Listed - Wet Location
RATED LIFE	50,000 Hours

ADVANTAGE SELECT SERIES ORDERING INFORMATION

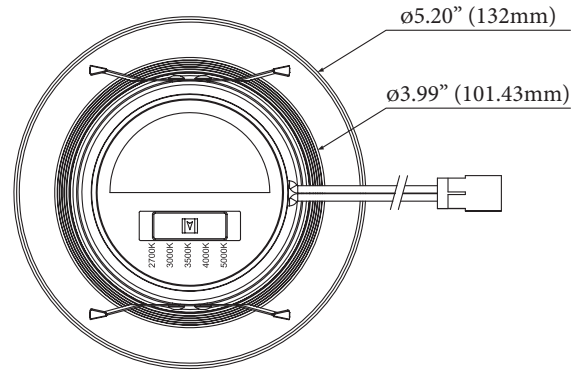
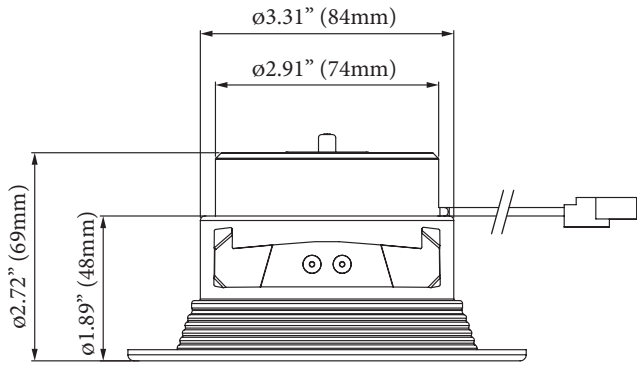
ITEM NUMBER	SIZE	FINISH	VOLTAGE	CCT	CRI	LM @ 27	LM @ 30	LM @ 35	LM @ 40	LM @ 50	WATTAGE	DIMMING
AD4-5CCT-WH	4"	White	120V	5CCT	90+	720	820	840	900	820	10W	10-100%
AD4B-5CCT-WH	4"	White Baffle	120V	5CCT	90+	720	820	840	900	820	10W	10-100%
AD4-5CCT-DB	4"	Dark Bronze	120V	5CCT	90+	630	690	720	750	690	10W	10-100%
AD56-5CCT-WH	5/6"	White	120V	5CCT	90+	1050	1200	1200	1250	1150	15W	10-100%
AD56B-5CCT-WH	5/6"	White Baffle	120V	5CCT	90+	1050	1200	1200	1250	1150	15W	10-100%
AD56-5CCT-DB	5/6"	Dark Bronze	120V	5CCT	90+	800	920	950	1080	900	15W	10-100%
AD56-5CCT-BK	5/6"	Black	120V	5CCT	90+	720	820	840	900	820	15W	10-100%

ADVANTAGE 3000K SERIES ACCESSORIES

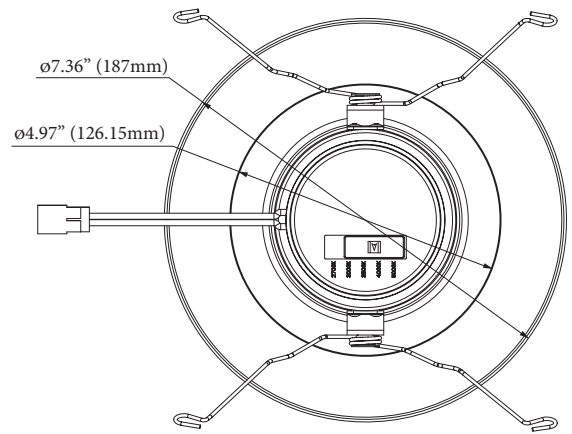
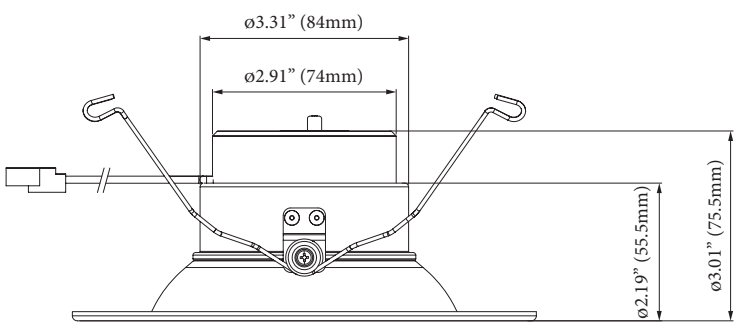
ITEM NUMBER	DESCRIPTION
AD56-5CCT-TORCLIPS	Torsion Clips for AD56-5CCT; For use in non-bullhorn cans

ADVANTAGE SELECT SERIES QUICK DIMENSIONS AD56

ADVANTAGE SELECT 4"



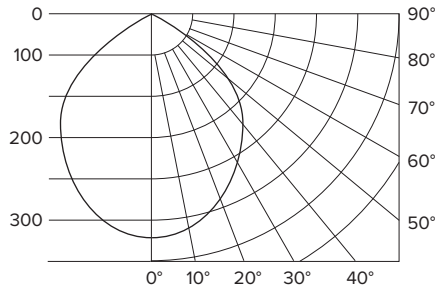
ADVANTAGE SELECT 5/6"



ADVANTAGE SELECT SERIES PHOTOMETRICS

AD4-5CCT

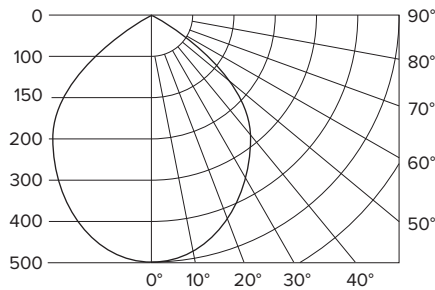
PART NUMBER	AD4-5CCT-WH
BEAM SPREAD	120°
LUMENS	820Lm
WATTAGE	10W
EFFICACY	82Lm per watt
CCT	@2700K
CRI	90



Foot Candles	Distance From Light	Beam Dia.
15.3	5'	17.3'
10.6	6'	20.8'
7.8	7'	24.2'
6.0	8'	27.7'
4.7	9'	31.2'
3.8	10'	34.6'

AD56-5CCT

PART NUMBER	AD56-5CCT-WH
BEAM SPREAD	120°
LUMENS	1200Lm
WATTAGE	15W
EFFICACY	80Lm per watt
CCT	@2700K
CRI	90



Foot Candles	Distance From Light	Beam Dia.
10.4	5'	17.3'
7.3	6'	20.8'
5.3	7'	24.2'
4.1	8'	27.7'
3.2	9'	31.2'
2.6	10'	34.6'

ADVANTAGE SELECT SERIES 4" RECOMMENDED DIMMERS

BRAND	MODEL #	MAX CURRENT OUT (MA)	MIN CURRENT IN (MA)	DIMMING RANGE (%)
Lutron	DVWCL-153PH-WH	60.00	0.00	0-87
Lutron	TGCL-153PH	69.00	0.00	0-100
Lutron	CTCL-153DH	69.00	0.00	0-100
Leviton	CL-6674	68.00	0.00	0-99
Lutron	MACL-153MR-WH	63.00	0.00	0-91
Leviton	CL-6672	68.00	2.00	3-99
Lutron	S-600HP	69.00	0.00	0-100
Lutron	DV-600PR	68.00	0.00	0-99
Leviton	VP106-1LZ	68.00	0.00	0-99
Lutron	SELV-300P-WH	68.00	0.00	0-99
Lutron	SLV-600P-IV	69.00	0.00	0-100
Lutron	CTCL-153P	68.00	0.00	0-99
Lutron	SCL-153P	68.00	0.00	0-99
Leviton	CL-6683	69.00	0.00	0-100
Leviton	IPL06	69.00	0.00	0-100
Lutron	TGCL-153P	69.00	0.00	0-100
Lutron	DVCL-153P	69.00	0.00	0-100
Lutron	SLV-600P	68.00	0.00	0-99
Lutron	DV-600PR-LA	68.00	0.00	0-99
Lutron	DVSELV-300P-SW	69.00	0.00	0-100
Leviton	6674-P	69.00	0.00	0-100
Lutron	SELV-303P-WH	68.00	0.00	0-99
Lutron	DVCL-153P-WH	68.00	0.00	0-99
Lutron	MACL-153M-WH	67.00	0.00	0-97
Lutron	CTCL-153PDH-WH	69.00	0.00	0-100
Eaton	TULD6P-C2	100	0.00	0-95
Eaton	DULD6P-C2	100	0.00	0-90

Dimmer performance may vary in field application due to unknown external factors. Dimmers not included on the chart above are not necessarily incompatible; they have yet to be fully evaluated. Please reference dimmer manufacturer's instructions for more detailed information regarding performance and compatibility. Test data listed above is based on single lamp data.

ADVANTAGE SELECT SERIES 5/6" RECOMMENDED DIMMERS

BRAND	MODEL #	MAX CURRENT OUT (MA)	MIN CURRENT IN (MA)	DIMMING RANGE (%)
Lutron	DVWCL-153PH-WH	89.00	0.00	0-92
Lutron	TGCL-153PH	95.00	0.00	0-98
Lutron	CTCL-153DH	95.00	0.00	0-98
Leviton	CL-6674	95.00	0.00	0-98
Lutron	MACL-153MR-WH	95.00	0.00	0-98
Leviton	CL-6672	96.00	2.00	2-98
Lutron	S-600HP	96.00	0.00	0-100
Lutron	DV-600PR	96.00	0.00	0-100
Leviton	VP106-1LZ	96.00	0.00	0-100
Lutron	SELV-300P-WH	94.00	0.00	0-97
Lutron	SLV-600P-IV	96.00	0.00	0-100
Lutron	CTCL-153P	95.00	0.00	0-98
Lutron	SCL-153P	95.00	0.00	0-98
Leviton	CL-6683	95.00	0.00	0-98
Leviton	IPL06	95.00	0.00	0-98
Lutron	TGCL-153P	96.00	0.00	0-100
Lutron	DVCL-153P	96.00	0.00	0-100
Lutron	SLV-600P	95.00	0.00	0-98
Lutron	DV-600PR-LA	95.00	0.00	0-98
Lutron	DVSCSELV-300P-SW	95.00	0.00	0-98
Leviton	6674-P	94.00	0.00	0-97
Lutron	SELV-303P-WH	94.00	0.00	0-97
Lutron	DVCL-153P-WH	94.00	0.00	0-97
Lutron	MACL-153M-WH	95.00	0.00	0-98
Lutron	CTCL-153PDH-WH	94.00	0.00	0-97
Eaton	TULD6P-C2	160	0.00	0-95
Eaton	DULD6P-C2	160	0.00	0-90

Dimmer performance may vary in field application due to unknown external factors. Dimmers not included on the chart above are not necessarily incompatible; they have yet to be fully evaluated. Please reference dimmer manufacturer's instructions for more detailed information regarding performance and compatibility. Test data listed above is based on single lamp data.



AMERICAN LIGHTING WARRANTY

LIMITED WARRANTY FOR LED PRODUCTS: 5 YEARS

LIMITED PRODUCT WARRANTY

Our products are warranted to be free from defects in material and workmanship for the warranty period listed. Warranty periods begin from the date of shipment from American Lighting Inc's warehouse to the original purchaser. Products that prove to be defective during their specific warranty period will be either repaired or replaced, at the sole discretion of American Lighting Inc. Claims for defective products must be submitted in writing to American Lighting Inc's RGA Department within the warranty period. Upon approval of such return, American Lighting Inc reserves the right to inspect the product for misuse or abuse. Claims for indirect or consequential damages or for product that, in American Lighting Inc's opinion, has been misused will be denied. This is a warranty of product reliability only and not a warranty of merchantability or fitness for a particular purpose. American Lighting Inc shall have no liability whatsoever in any event for payment of incidental or consequential damages, including, without limitations, installation costs and/or damages for personal injury and/or property. These products may represent a possible shock or fire hazard if improperly installed or altered in any way. This warranty does not apply to any product that has not been properly installed in accordance with current local codes and/or the National Electrical Code. Products that require a transformer, driver, or power supply must be used in conjunction with American Lighting Inc's recommended power supply to ensure safety and retain product warranty.

PRODUCT SPECIFICATIONS

For the latest product information, updates, instructions and details concerning specifications, colors, finishes, performance, installation and design, visit www.americanlighting.com. Color may vary from the color printed herein due to limitations in photographic and printing processes. American Lighting Inc. reserves the right to change product specifications without notice. Other product specifications such as color temperature, wavelength characteristics and lumen output are subject to production limitations and may vary. LED technology is changing rapidly, and not all color temperatures and performance levels can be duplicated at a later time. Best practices include purchasing 10-15% more for a particular project on the same initial order where white LED color temperatures must be maintained over project and product life. Eventual product replacement should be considered at layout and design stages. Best practices also include testing connections and product performance prior to mounting and/or installing.

AVERAGE LIFE

Average incandescent lamp life, rated life and average life are terms used to describe the number of hours at which half of the lamps have failed. For LEDs, the hours of rated life specify the point where 70% of original lumen output is reached. Below this point, the effective life is over, however, the LED may still emit light. Individual results may vary with actual environmental conditions including, but not limited to, proper installation, ambient temperature and/or input voltage fluctuations.