

NLL Pro Series 2.0

Models NLLP2-09, NLLP2-14, NLLP2-22, NLLP2-32 & NLLP2-40

LED Under Cabinet Fixture
Plug-in or Hard Wire, Linkable

Safety Precautions

- Read all safety precautions and installation instructions carefully before installing or servicing this fixture. Failure to comply with these instructions could result in potentially fatal electric shock and/or property damage.
- It is recommended that a qualified electrician perform all wiring. This fixture must be wired in accordance with all national and local electrical codes.
- Do not handle any energized fixture or attempt to energize any fixture with wet hands or while standing on a wet or damp surface or in water.
- This fixture is designed for use in a 120VAC, 60Hz fused circuit. This fixture can be dimmed down to 10% of full scale using a compatible TRIAC (forward-phase or leading-edge) or ELV (reverse-phase or trailing-edge) dimmer. This Fixture is dimmable in the high (H) setting only.
- Make sure that the power source conforms to the requirements of the fixture. (See labels on the fixture housing).
- To reduce the risk of electrical shock, and to assure proper operation, this fixture must be adequately grounded. To accomplish proper grounding, there must be a separate ground wire (green) contact between this fixture and the ground connection of your main power supply panel.
- This fixture is intended to be used for general indoor lighting in dry or damp locations. Linkable total wattage is 200 watts.
- Disclaimer

Changes or modifications not expressly approved by the party responsible for compliance could void the user's authority to operate the equipment. NOTE: This equipment has been tested and found to comply with the limits for a Class B digital device, pursuant to Part 15 of the FCC Rules and Canadian ICES-005 (B) / NMB-005 (B). These limits are designed to provide reasonable protection against harmful interference in a residential installation. This equipment generates uses and can radiate radio frequency energy and, if not installed and used in accordance with the instructions, may cause harmful interference to radio communications. However, there is no guarantee that interference will not occur in a particular installation. If this equipment does cause harmful interference to radio or television reception, which can be determined by turning the equipment off and on, the user is encouraged to try to correct the interference by one or more of the following measures:

- Reorient or relocate the receiver antenna.
- Increase the separation between the equipment and receiver.
- Connect the equipment into an outlet on a circuit different from that to which the receiver is connected.
- Consult with the dealer or an experienced radio/TV technician for help.

Any modifications to this fixture may void the warranty and interfere with the safe operation of the luminaire.

Operation is subject to the following two conditions: (1) this device may not cause interference, and (2) this device must accept any interference, including interference that may cause undesired operation of the device.

Assembly Instructions

1. Preparation for Installation

- A. **Disconnect electrical power** before installing or servicing any part of this fixture.
- B. Place fixture on a clean flat surface.
- C. Determine input power connection method (Cord, Hardwire or Link) and follow corresponding directions below.

2. Hardwire Installation Preparation

(Skip this step if using Cord to Outlet or Link-to-Fixture Installation to Power Unit)

- A. **Discard Cord if Hardwire Installation is used.**
- B. Disengage cover (5) by loosening screw.
- C. Remove appropriate 3/8" diameter knockout for supply wiring entry.
- D. Determine appropriate connector:
 - i) Cable connector is included.
 - ii) Flexible conduit BX (AC) 3/8" trade size cable (8) (not included).
 - iii) Anti-short bushing (not included).
- E. Insert cable connector (7) into the housing open hole. Secure it with the nut.
- F. Determined the length of BX cable (8) and add about 5" or an appropriate length for the stripping purposes. Cut the required length of the cable. Trim away the insulation. Push the exposed wires (hot, neutral and ground) through the anti-short bushing and slide this bushing all the way down to the exposed wires until it is snug up against the armor.
- G. Follow the directions below for Mounting, and then proceed to Hardwire Installation Completion.
- H. The unit can now be turned on with the Power switch (7a). By flipping the switch (7a) select between one of the 3 modes (Low, Off, High). Switch (6a) is used to change by sliding and adjusting the color temperature of light delivered 2700K, 3000K & 4000K CCT respectively.

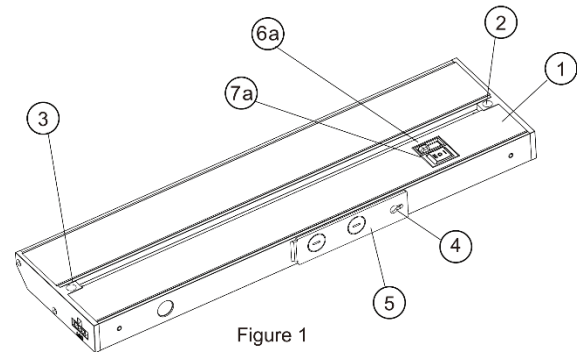
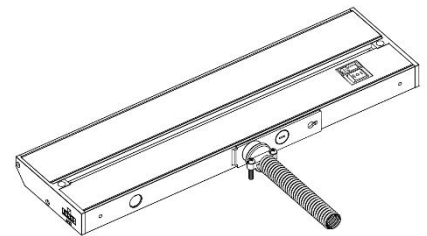


Figure 1

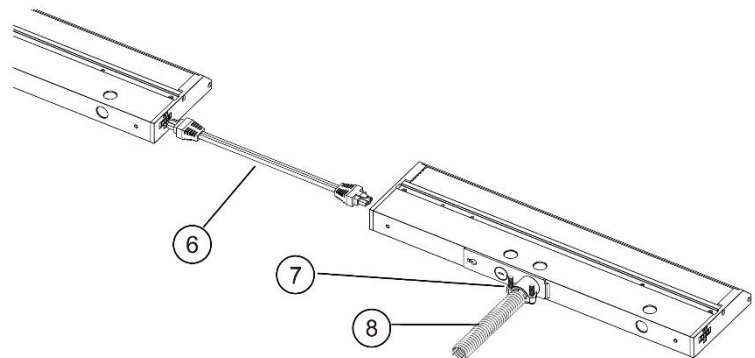


3. Link-to-Fixture Installation

(Skip this step if using Hardwire or Cord to Outlet Installation.)

- A. First fixture in series can be Corded or Hardwired.
- B. Second fixture must be located within 12" of first fixture.
- C. Make sure power is off on all fixtures. The fixture switch should not be engaged in either direction (7).
- D. Connect the Linking cord (6) to the "Out" connector of the first fixture and into the "In" connector of the second fixture.
(The connectors are keyed to only fit one way. Do not force the connections, they should snap in easily.)
- E. Follow directions in Mounting Section.
- F. Once mounting is completed, energize the first fixture. (Each fixture is controlled individually.)

Note: Injury to persons and damage to the mounting surface may result if the fixture or mounting hardware is pulled from the mounting location. To reduce the possibility of such injury, be sure to mount the fixture only on a surface that is mechanically, structurally sound.



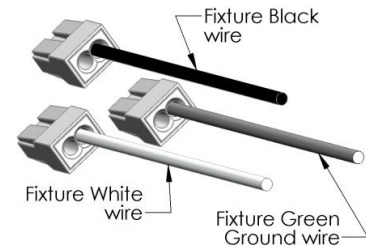
NLL Pro Series 2.0

Models NLLP2-09, NLLP2-14, NLLP2-22, NLLP2-32 & NLLP2-40

LED Under Cabinet Fixture Plug-in or Hard Wire, Linkable

4. Hardwire Installation Completion

- A. Pull 3 wires out of the fixture to allow connection to the branch circuit.
- B. Connect the Green ground input supply wire to the fixture Green ground wire. Do this by inserting it into the open hole in the push-in wire connector (included) that is attached to the Green ground wire in the fixture.
- C. Connect the White input supply wire to the fixture White wire. Do this by inserting it into the open hole in the push-in wire connector (included) that is attached to the White wire in the fixture.
- D. Connect the Black input supply wire to the fixture Black wire. Do this by inserting it into the open hole in the push-in wire connector (included) that is attached to the Black wire in the fixture. **Do not mix wires or change polarity.**
- E. Pull on each wire lead to make sure connections are secure. Make certain no bare wires are exposed outside of the wire connectors.
- F. Feed wires back into fixture, reattach adapter plate tighten screw, and attach the fixture to the base of the cabinet, with screws (2 & 3) as defined in mounting section.



5. Cord to Outlet Installation

(Skip this step if using Link-to-Fixture Installation)

- A. Fixture must be mounted within 5' of an outlet. Locate the 5' power cord (Sold Separately).
- B. Connect Cord to fixture by snapping the quick connect end of the cord to the corresponding connector in the end of the fixture marked "IN". The cord will only connect to the "IN" connector so make the right connector is identified. Do not force the connection, it should snap in easily.
- C. Follow the directions for Mounting below.
- D. Once Mounting is completed, plug the cord into the outlet.

6. Mounting

- A. Using captive screw hole locations for mounting the fixture (2 & 3), position the fixture in location intended for mounting. Mark hole locations by using the screw-holes as a guide. Drill suitable holes in the marked positions. Mount the housing to desired surface with the 2 captive screws (Ref # 2 & 3 in Figure 1).

Limited Factory Warranty

AFX Inc. warrants this fixture is free from defects in materials and workmanship when installed and used under normal operating conditions for a period of 5 years from date of purchase. This warranty covers all component parts and extends only to replacement of defective fixture or components; it does not cover failure due to improper installation, misuse, mishandling or damage incurred in transit.