

## DESCRIPTION

- Smart home water detector monitoring moisture, humidity, and room temperature.

## OPERATION

- Can be used as a standalone detector or in conjunction with the Flo Smart Water Monitor and Shutoff (option in the mobile app to trigger automatic water shutoff to a home if the detector detects moisture and a smart water shutoff is installed on the home's main water line)
- Wi-Fi enabled device for smartphone connectivity (WLAN connectivity / IEEE 802.11bgn, 2.4 GHz range)
- Smartphone app available for iOS and Android that provides customizable alerts for:
  - Moisture Detection through base unit or included remote sensing disc
  - Humidity Range: customizable between 0-100% Relative Humidity (RH)
  - Room Temperature: customizable between 0 to 140 deg F / -18 to 60 deg C
  - Battery Level: customizable between 0-100%
- Automatic water shutoff feature: if a detector senses moisture, it can trigger the smart water shutoff to close (only available if the Flo Smart Water Monitor and Shutoff is installed on the main water supply line)
- Battery type: CR123A Lithium Cell (lasts up to 2 years, included with detector)
- Operating Temperature Range: -20 to 140 deg F / -29 to 60 deg C

## INSTALLATION NOTES

- Detector can be placed directly on the floor without the wall mount base attached.
- With the wall mount base attached to detector and 48" (122 cm) remote sensing disc connected to wall mount base, detector can be mounted on a wall or baseboard and the remote sensing disc can be placed in low profile/hard-to-reach areas to monitor for moisture.
- Optional 6' (1.8 m) Leak Sensing Cable that detects water at any point along the cable (SKU sold separately: 920-006) (up to 3 cables can be linked together for further leak sensing).

## STANDARDS

- Third party certified to meet Industry Canada RSS-210 IC ID: 25926-920004.
- FCC ID: 2AU5H-920004 to CFR 47 Part 15 Subpart C.

## WARRANTY

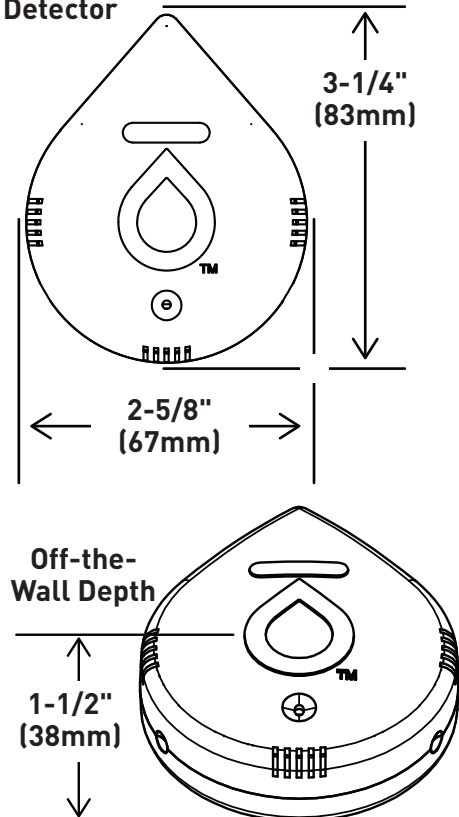
- Moen® warrants that the product will be free from defects in materials and workmanship for a period of one (1) year from the date of delivery following the original retail purchase.
  - Visit [moen.com/customer-support/warranty](http://moen.com/customer-support/warranty) for complete details and limitation.
- \* Supplier agrees to comply with all applicable laws and regulations when shipping the materials.



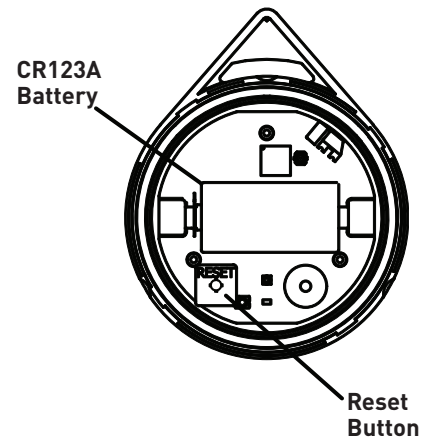
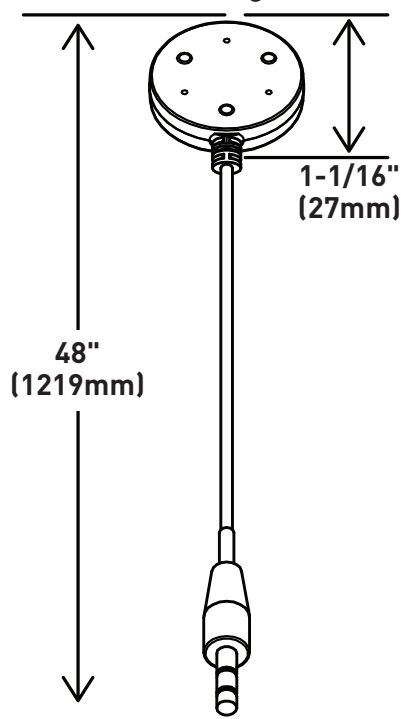
## Moen™ Smart Leak Detector

Models: 920-004 (1 pack)  
920-005 (3 pack)

### Detector



### Remote Sensing Disc



### Included with 920-004 product:

- (1) Moen Smart Leak Detector, (1) CR123A Battery, (1) 48" (122cm) Remote Sensing Disc, (1) Wall Mount Base with optional self-adhesive mounting sticker, (2) Wall Mount Screws, (2) Dry Wall Anchors.

### Included with 920-005 product:

- (3) Moen Smart Leak Detector, (3) CR123A Batteries (3) 48" (122cm) Remote Sensing Discs, (3) Wall Mount Base with optional self-adhesive mounting stickers, (6) Wall Mount Screws, (6) Dry Wall Anchors.

## CRITICAL DIMENSIONS

(DO NOT SCALE)