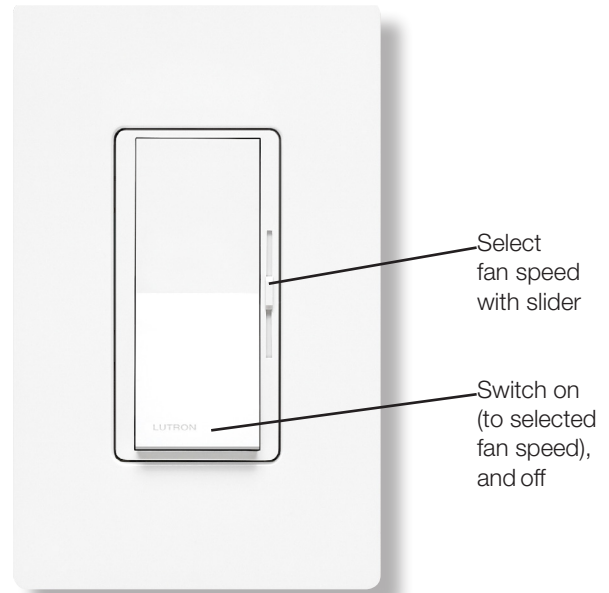


Diva Fan-Speed Controls

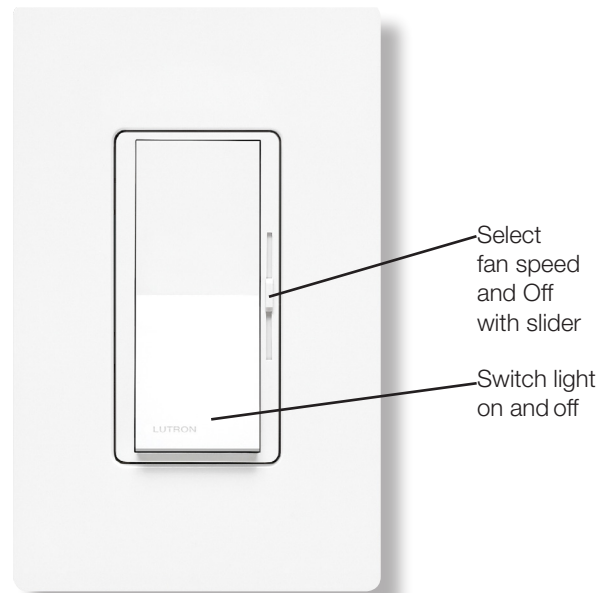
The designer fan-speed controls that match your paddle switches.

Features

- On/off rocker switch with a captive slider
- Quiet 3-speed control of ceiling fan
- Requires separate wires at the wallbox for the fan and the light. No neutral is required at the wallbox
- cULus Listed, NOM certified
- No nightlight
- Available in Gloss and Satin Colors
- 100% factory tested
- Uses a standard designer opening wallplate or a Lutron Claro wallplate



DVFSQ-F



DVFSQ-LF

Model Numbers

| Model Number | Description | Maximum Capacity | | |
|-------------------------------|---|----------------------|--------------------------|-----|
| DVFSQ-F-XX ^{1,2,3} | Gloss preset fan-speed control; Single pole/3-way, 3 speed | 1.5 A | | |
| DVSCFSQ-F-XX ^{1,2,3} | Satin Colors preset fan-speed control; Single Pole/3-way, 3 speed | | | |
| DVFSQ-LF-XX ^{1,3} | Gloss Light switch/ Fan-speed Control; | Fan 3-speed with Off | 1.5 A | |
| | | Single pole switch | Incandescent/ Halogen | 2 A |
| | | | CFL/LED | 1 A |
| DVSCFSQ-LF-XX ^{1,3} | Satin Colors Light switch/ Fan-speed Control; | Fan 3-speed with Off | 1.5 A | |
| | | Single pole switch | Incandescent/ Halogen | 2 A |
| | | | CFL/LED | 1 A |

¹ "XX" in the model number represents color/finish code; see Colors and Finishes on next page.

² For 3-way and 4-way switching, use Claro switches or other mechanical switches.

³ No derating required if ganged.

| | |
|-------------|----------------|
| Job Name: | Model Numbers: |
| Job Number: | |

Specifications

Regulatory Approvals

- cULus Listed
- NOM certified

Power and Ratings

- 120 V~ 60 Hz

Environment

- For indoor use only.
- Operating temperatures 32 °F to 104 °F (0 °C to 40 °C).

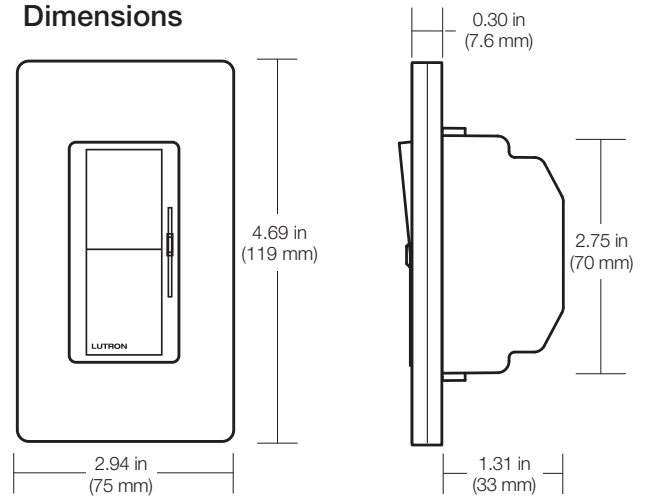
Performance

- Power-failure memory
- Captive linear slider
- Electrostatic discharge tested
- Precise color matching with Claro wallplates
- Mechanical air-gap switch to disconnect load power

Warranty

- 1 Year Limited Warranty

Dimensions



Note: Requires a U.S. wallbox 2½ in (64 mm) deep minimum.

Colors and Finishes

Gloss Finishes

Add color/finish code to model #

Example: DVFSQ-F-WH

| | |
|----|--------------|
| WH | White |
| IV | Ivory |
| AL | Almond |
| LA | Light Almond |
| GR | Gray |
| BR | Brown |
| BL | Black |

Satin Colors

Add color/finish code to model #

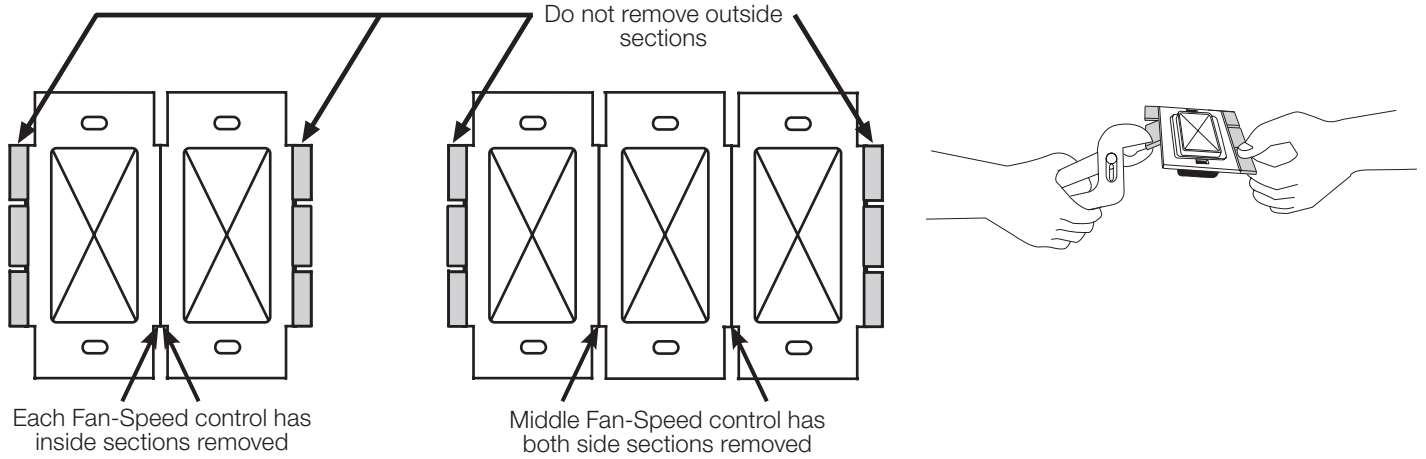
Example: DVSCFSQ-LF-SW

| | |
|----|--------------|
| HT | Hot |
| MR | Merlot |
| PL | Plum |
| TQ | Turquoise |
| TP | Taupe |
| ES | Eggshell |
| BI | Biscuit |
| SW | Snow |
| PD | Palladium |
| MN | Midnight |
| TC | Terracotta |
| SI | Sienna |
| GB | Green Briar |
| BG | Bluestone |
| MS | Mocha Stone |
| GS | Goldstone |
| DS | Desert Stone |
| ST | Stone |
| LS | Limestone |

| | |
|-------------|----------------|
| Job Name: | Model Numbers: |
| Job Number: | |

Ganging *

When installing more than one Fan-Speed control in the same wallbox, it may be necessary to remove some side sections prior to wiring (see diagram).

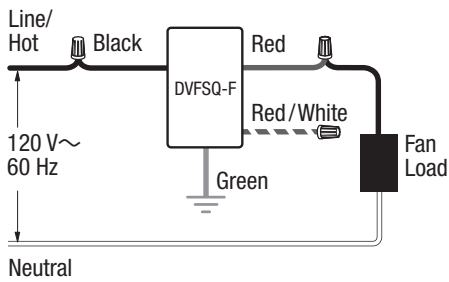


* No derating required if ganged.

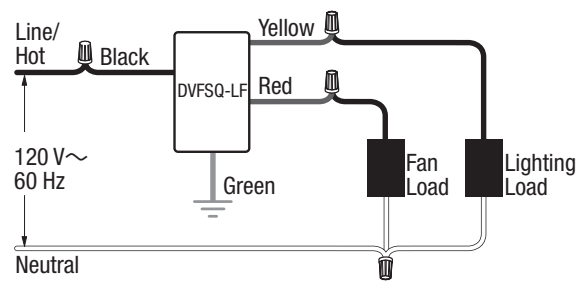
Wiring Diagrams

Single-Pole Wiring

DVFSQ-F

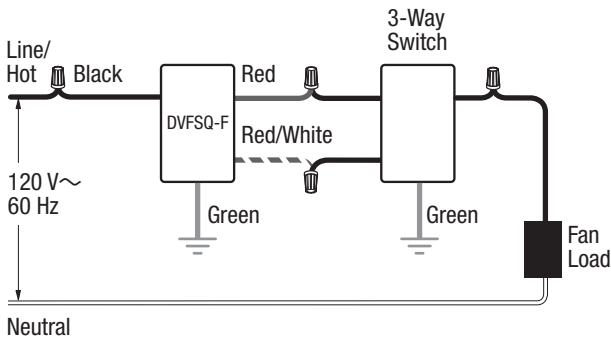


DVFSQ-LF

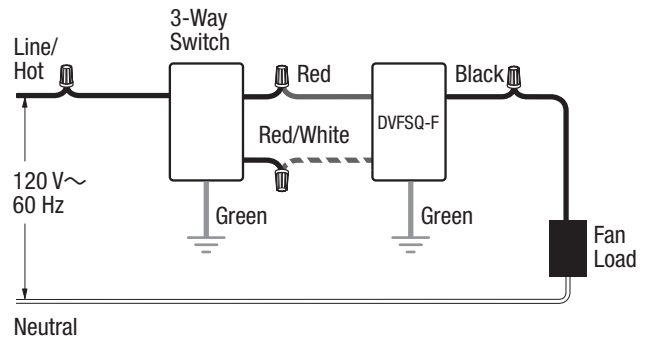


3-Way Wiring

DVFSQ-F - Line-Side



DVFSQ-F - Load-Side



Lutron, Lutron, Claro, Diva, and Satin Colors are trademarks of Lutron Electronics Co., Inc., registered in the U.S. and other countries. UL is a trademark of UL LLC.

| | |
|-------------|----------------|
| Job Name: | Model Numbers: |
| Job Number: | |