

PIXLEY

# PFWSC1860 TWO HANDLE WIDESPREAD LAVATORY FAUCET



## Product Features

- Max. flow rate: 1.2 gpm (4.54 L/min) at 60 psi
- Metal lever handle
- Ceramic disc cartridge
- 50/50 pop-up drain assembly
- Requires 3-hole sink with 8" on-center



## Optional Parts

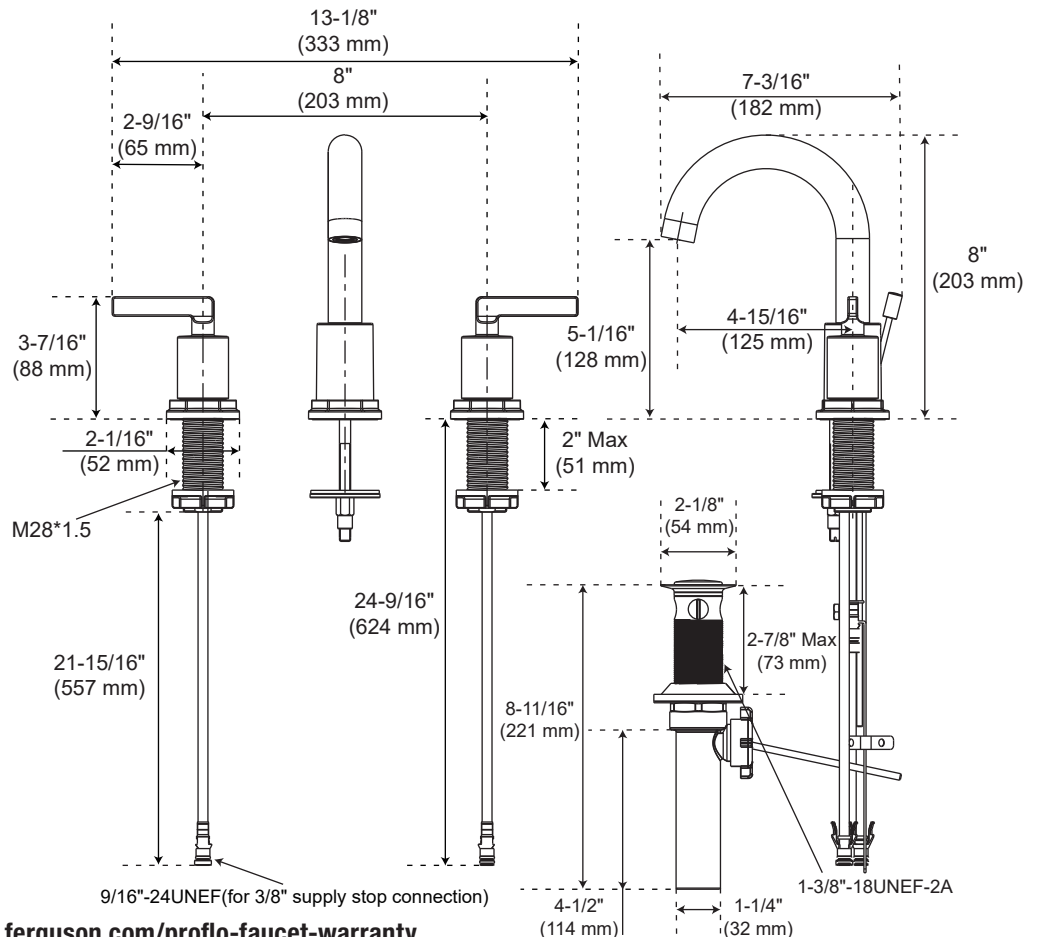
- |                          |                       |
|--------------------------|-----------------------|
| 1.0 GPM Aerator          | Neoperl 44.3358.01001 |
| 0.5 GPM Aerator          | Neoperl 44.3359.01001 |
| Drain Lift Rod Extension | PF351NA               |

## Codes and Certifications



**PFWSC1860**

- Certified to ASME A112.18.1 / CSA B125.1
- cUPC/IAPMO listed
- Handle ADA compliant
- NSF/ANSI/CAN 61: Q ≤1
- EPA WaterSense certified



For detailed warranty information, visit [ferguson.com/proflo-faucet-warranty](https://ferguson.com/proflo-faucet-warranty).