

## Specifications

# PFSH320G SHOWERHEAD



### Product Features

- 1.8 gpm (6.8 L/min) showerhead
- 5-function showerhead- full spray, massage, aerator, massage+full spray, aerator+full spray
- 1/2" connection
- Easy clean spray nozzles
- ABS construction
- cUPC/IAPMO listed
- EPA WaterSense approved

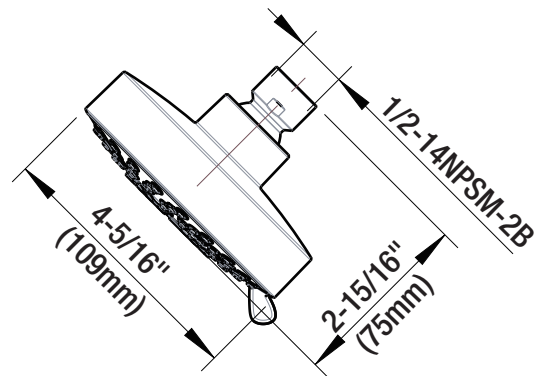
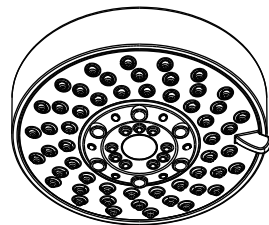


**PFSH320GCP**

### Model Numbers:

PFSH320GCP	Chrome
PFSH320GZBN	PVD Brushed nickel

### Product Specifications



\* All measurements are nominal. Please verify before actual installation.

### Warranty and Codes

This product comes complete with installation, operating, care and maintenance instructions. This PROFLO faucet carries a limited lifetime warranty when installed in residential applications. The warranty is five years in commercial applications. This product meets ASME: A112.18.1. *Compliant with lead content requirements of US Senate Bill S.3874.*

