



DAIKIN ROOM AIR CONDITIONER
INSTALLATION MANUAL
R410A Split Series



EMURA

Installation manual
Manuel d'installation
Manual de instalación

MODELS

CTXG09QVJUW
CTXG12QVJUW
CTXG18QVJUW
CTXG09QVJUS
CTXG12QVJUS
CTXG18QVJUS
FTXR09TVJUW
FTXR12TVJUW
FTXR18TVJUW
FTXR09TVJUS
FTXR12TVJUS
FTXR18TVJUS

Contents

Safety Considerations	1	Refrigerant Piping Work	9
Accessories	3	1. Flaring the pipe end	9
Choosing an Installation Site	3	2. Refrigerant piping.....	10
1. Indoor unit.....	3	Installation Tips	11
2. Wireless remote controller	3	1. Removing and installing the upper front panel.....	11
Indoor Unit Installation Diagram	4	2. Removing and installing the front grille.....	11
Indoor Unit Installation	5	3. How to set the different addresses	12
1. Installing the mounting plate	5	4. When connecting a wireless LAN connecting adapter.....	12
2. Drilling a wall hole and installing wall embedded pipe ...	5	5. When connecting to an HA system.....	13
3. Installing the indoor unit.....	5	Trial Operation and Testing	14
4. Wiring.....	8	1. Trial operation and testing	14
5. Drain piping.....	9	2. Test items	14

Safety Considerations

Read these **Safety Considerations for Installation** carefully before installing an air conditioner or heat pump. After completing the installation, make sure that the unit operates properly during the startup operation.





Instruct the user on how to operate and maintain the unit.

Inform users that they should store this installation manual with the operation manual for future reference.

Always use a licensed installer or contractor to install this product. Improper installation can result in water or refrigerant leakage, electric shock, fire, or explosion.

Meanings of **DANGER**, **WARNING**, **CAUTION**, and **NOTE**

Symbols:

-  **DANGER**Indicates an imminently hazardous situation which, if not avoided, will result in death or serious injury.
-  **WARNING**Indicates a potentially hazardous situation which, if not avoided, could result in death or serious injury.
-  **CAUTION**Indicates a potentially hazardous situation which, if not avoided, may result in minor or moderate injury. It may also be used to alert against unsafe practices.
-  **NOTE**Indicates situations that may result in equipment or property-damage accidents only.

DANGER _____

- Refrigerant gas is heavier than air and replaces oxygen. A massive leak can lead to oxygen depletion, especially in basements, and an asphyxiation hazard could occur leading to serious injury or death.
- Do not ground units to water pipes, gas pipes, telephone wires, or lightning rods as incomplete grounding can cause a severe shock hazard resulting in severe injury or death. Additionally, grounding to gas pipes could cause a gas leak and potential explosion causing severe injury or death.

- If refrigerant gas leaks during installation, ventilate the area immediately. Refrigerant gas may produce toxic gas if it comes into contact with fire. Exposure to this gas could cause severe injury or death.
- After completing the installation work, check that the refrigerant gas does not leak throughout the system.
- Do not install unit in an area where flammable materials are present due to risk of explosions that can cause serious injury or death.
- Safely dispose all packing and transportation materials in accordance with federal/state/local laws or ordinances. Packing materials such as nails and other metal or wood parts, including plastic packing materials used for transportation may cause injuries or death by suffocation.

WARNING _____

- Only qualified personnel must carry out the installation work. Installation must be done in accordance with this installation manual. Improper installation may result in water leakage, electric shock, or fire.
- When installing the unit in a small room, take measures to keep the refrigerant concentration from exceeding allowable safety limits. Excessive refrigerant leaks, in the event of an accident in a closed ambient space, can lead to oxygen deficiency.
- Use only specified accessories and parts for installation work. Failure to use specified parts may result in water leakage, electric shock, fire, or the unit falling.
- Install the air conditioner or heat pump on a foundation strong enough that it can withstand the weight of the unit. A foundation of insufficient strength may result in the unit falling and causing injuries.
- Take into account strong winds, typhoons, or earthquakes when installing. Improper installation may result in the unit falling and causing accidents.

- Make sure that a separate power supply circuit is provided for this unit and that all electrical work is carried out by qualified personnel according to local, state, and national regulations. An insufficient power supply capacity or improper electrical construction may lead to electric shock or fire.
 - Make sure that all wiring is secured, that specified wires are used, and that no external forces act on the terminal connections or wires. Improper connections or installation may result in fire.
 - When wiring, position the wires so that the electrical wiring box cover can be securely fastened. Improper positioning of the electrical wiring box cover may result in electric shock, fire, or the terminals overheating.
 - Before touching electrical parts, turn off the unit.
 - The circuit must be protected with safety devices in accordance with local and national codes, i.e. a circuit breaker.
 - Securely fasten the outdoor unit terminal cover (panel). If the terminal cover/panel is not installed properly, dust or water may enter the outdoor unit causing fire or electric shock.
 - When installing or relocating the system, keep the refrigerant circuit free from substances other than the specified refrigerant (R410A) such as air. Any presence of air or other foreign substance in the refrigerant circuit can cause an abnormal pressure rise or rupture, resulting in injury.
 - Do not change the setting of the protection devices. If the pressure switch, thermal switch, or other protection device is shorted and operated forcibly, or parts other than those specified by Daikin are used, fire or explosion may occur.
- (b) Tight -- R410A does not contain any chlorine, does not destroy the ozone layer, and does not reduce the earth's protection against harmful ultraviolet radiation. R410A can contribute to the greenhouse effect if it is released. Therefore take proper measures to check for the tightness of the refrigerant piping installation. Read the chapter *Refrigerant Piping Work* and follow the procedures.
- Since R410A is a blend, the required additional refrigerant must be charged in its liquid state. If the refrigerant is charged in a state of gas, its composition can change and the system will not work properly.
 - The indoor unit is for R410A. See the catalog for indoor models that can be connected. Normal operation is not possible when connected to other units.
 - Remote controller (wireless kit) transmitting distance can be shorter than expected in rooms with electronic fluorescent lamps (inverter or rapid start types). Install the indoor unit far away from fluorescent lamps as much as possible.
 - Indoor units are for indoor installation only. Outdoor units can be installed either outdoors or indoors.
 - Do not install the air conditioner or heat pump in the following locations:
 - (a) Where a mineral oil mist or oil spray or vapor is produced, for example, in a kitchen. Plastic parts may deteriorate and fall off or result in water leakage.
 - (b) Where corrosive gas, such as sulfurous acid gas, is produced. Corroding copper pipes or soldered parts may result in refrigerant leakage.
 - (c) Near machinery emitting electromagnetic waves. Electromagnetic waves may disturb the operation of the control system and cause the unit to malfunction.
 - (d) Where flammable gas may leak, where there is carbon fiber, or ignitable dust suspension in the air, or where volatile flammables such as thinner or gasoline are handled. Operating the unit in such conditions can cause a fire.
 - Take adequate measures to prevent the outdoor unit from being used as a shelter by small animals. Small animals making contact with electrical parts can cause malfunctions, smoke, or fire. Instruct the user to keep the area around the unit clean.

CAUTION

- Do not touch the switch with wet fingers. Touching a switch with wet fingers can cause electric shock.
- Do not allow children to play on or around the unit to prevent injury.
- The heat exchanger fins are sharp enough to cut. To avoid injury wear gloves or cover the fins while working around them.
- Do not touch the refrigerant pipes during and immediately after operation as the refrigerant pipes may be hot or cold, depending on the condition of the refrigerant flowing through the refrigerant piping, compressor, and other refrigerant cycle parts. Your hands may suffer burns or frostbite if you touch the refrigerant pipes. To avoid injury, give the pipes time to return to normal temperature or, if you must touch them, be sure to wear proper gloves.
- Install drain piping to ensure proper drainage. Improper drain piping may result in water leakage and property damage.
- Insulate piping to prevent condensation.
- Be careful when transporting the product.
- Do not turn off the power immediately after stopping operation. Always wait for at least 5 minutes before turning off the power. Otherwise, water leakage may occur.
- Do not use a charging cylinder. Using a charging cylinder may cause the refrigerant to deteriorate.
- Refrigerant R410A in the system must be kept clean, dry, and tight.

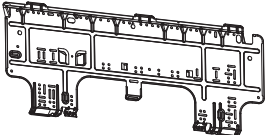

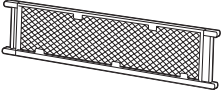
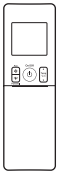
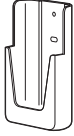

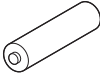

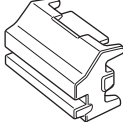

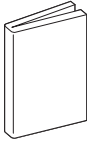
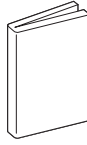
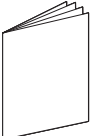
(a) Clean and Dry -- Foreign materials (including mineral oils such as SUNISO oil or moisture) should be prevented from getting into the system.

NOTE

- The indoor unit should be positioned where the unit and inter-unit wires (outdoor to indoor) are at least 3.3ft (1m) away from any televisions or radios. (The unit may cause interference with the picture or sound.) Depending on the radio waves, a distance of 3.3ft (1m) may not be sufficient to eliminate the noise.
- Dismantling the unit, treatment of the refrigerant, oil and additional parts must be done in accordance with the relevant local, state, and national regulations.
- Do not use the following tools that are used with conventional refrigerants: gauge manifold, charge hose, gas leak detector, reverse flow check valve, refrigerant charge base, vacuum gauge, or refrigerant recovery equipment.
- If the conventional refrigerant and refrigerator oil are mixed in R410A, the refrigerant may deteriorate.
- This air conditioner or heat pump is an appliance that should not be accessible to the general public.
- As design pressure is 604 psi, the wall thickness of field-installed pipes should be selected in accordance with the relevant local, state, and national regulations.

FTN003-U

Accessories

<p>(A) Mounting plate</p> 	1	<p>(B) Mounting plate fixing screw M4 × 1" (M4 × 25mm)</p> 	5	<p>(C) Titanium apatite deodorizing filter</p> 	2
<p>(D) Wireless remote controller</p> 	1	<p>(E) Remote controller holder</p> 	1	<p>(F) Remote controller holder fixing screw M3 × 13/16" (M3 × 20mm)</p> 	2
<p>(G) Dry battery AAA. LR03 (alkaline)</p> 	2	<p>(H) Indoor unit fixing screw M4 × 1/2" (M4 × 12mm)</p> 	2	<p>(J) Screw cover</p> 	2
<p>(K) Insulation tape</p> 	1	<p>(L) Operation manual</p> 	1	<p>(M) Installation manual</p> 	1
<p>(N) Warranty</p> 	1				

Choosing an Installation Site

Before choosing the installation site, obtain user approval.

1. Indoor unit

The indoor unit should be positioned in a place where:

- 1) the restrictions on the installation requirements specified in "Indoor Unit Installation Diagram" on page 4 are met,
- 2) both the air inlet and air outlet are unobstructed,
- 3) the unit is not exposed to direct sunlight,
- 4) the unit is away from sources of heat or steam,
- 5) there is no source of machine oil vapor (this may shorten the indoor unit service life),
- 6) cool/warm air is circulated throughout the room,
- 7) the unit is away from electronic ignition type fluorescent lamps (inverter or rapid start type) as they may affect the remote controller range,
- 8) no laundry equipment is nearby.

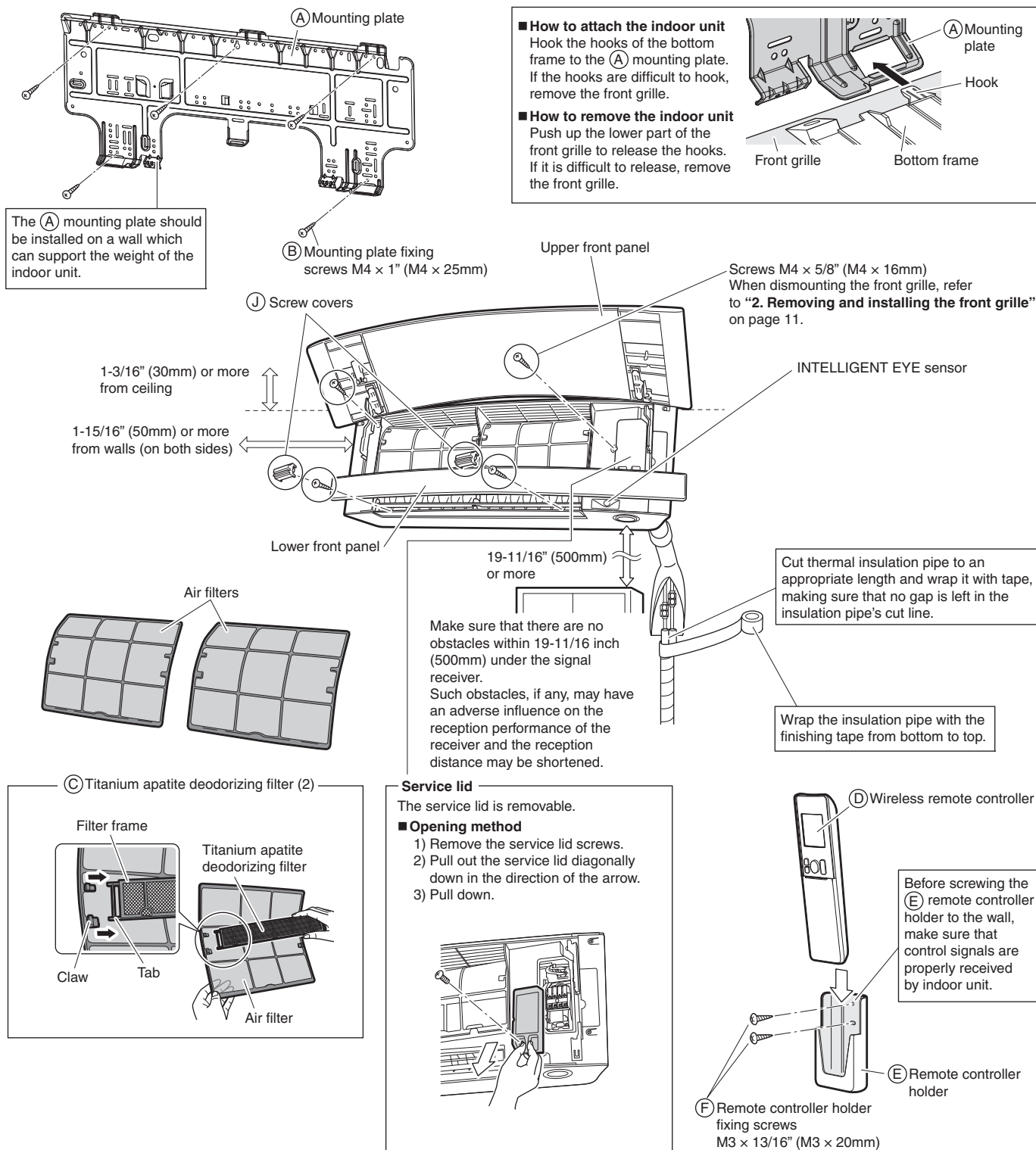
2. Wireless remote controller

Turn on all the fluorescent lamps in the room, if any, and find a location where the remote controller signals are properly received by the indoor unit (within 19-11/16ft (6m)).

Indoor Unit Installation Diagram

⚠ CAUTION

- Do not hit or violently push the INTELLIGENT EYE sensor. This can lead to damage and malfunction.
- Do not place large objects near the INTELLIGENT EYE sensor. Also keep heating units or humidifiers outside the sensor's detection area.



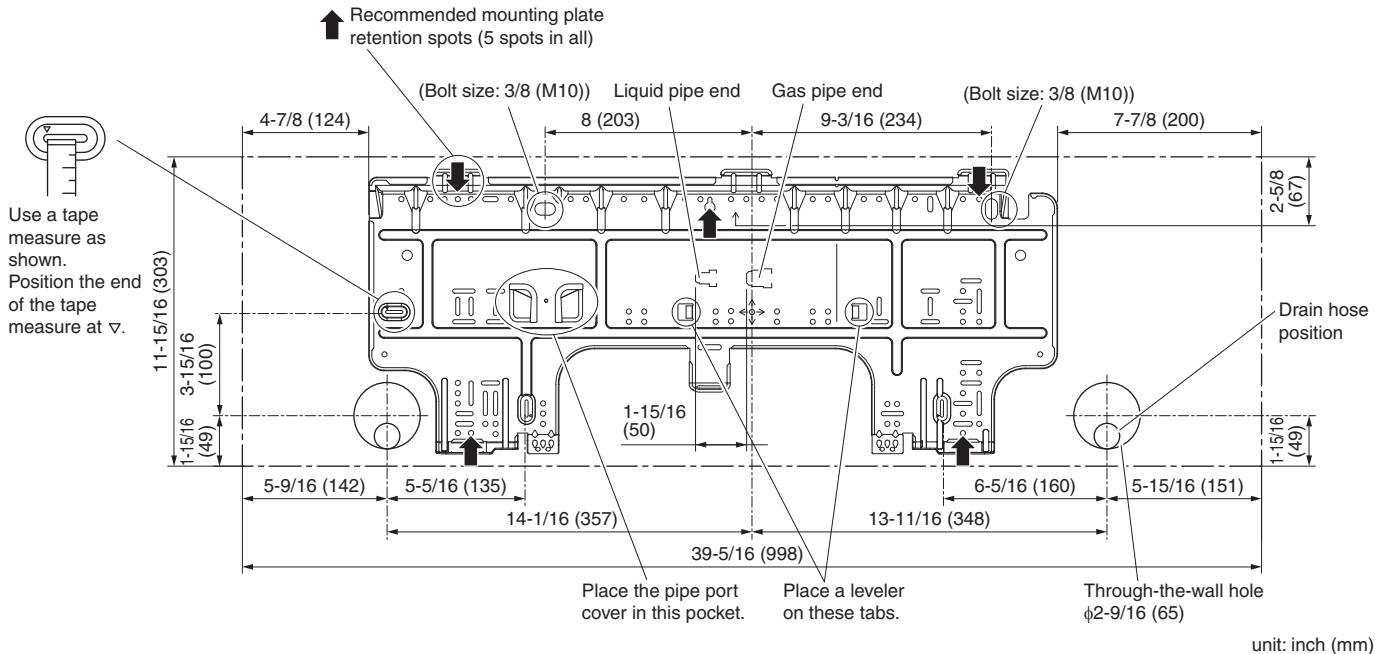
Indoor Unit Installation

1. Installing the mounting plate

The mounting plate should be installed on a wall which can support the weight of the indoor unit.

- 1) Temporarily secure the mounting plate to the wall, make sure that the plate is completely level, and mark the drilling points on the wall.
- 2) Secure the mounting plate to the wall with screws.

Recommended mounting plate retention spots and dimensions

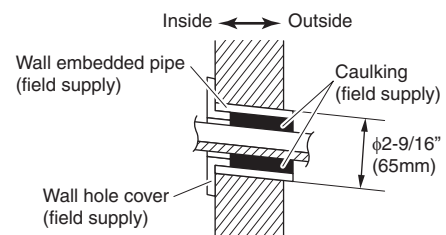


2. Drilling a wall hole and installing wall embedded pipe

⚠ WARNING

For metal frame or metal board walls, be sure to use a wall embedded pipe and wall hole cover in the feed-through hole to prevent possible heat, electric shock, or fire.

- Be sure to caulk the gaps around the pipes with caulking material to prevent condensation.
 - 1) Drill a feed-through hole with a ϕ 2-9/16 inch (65mm) diameter through the wall at a downward angle toward the outside.
 - 2) Insert a wall embedded pipe into the hole.
 - 3) Insert a wall hole cover into wall pipe.
 - 4) After completing refrigerant piping, wiring, and drain piping, caulk the pipe hole gap with putty.

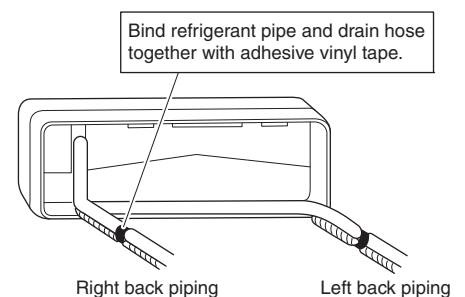


3. Installing the indoor unit

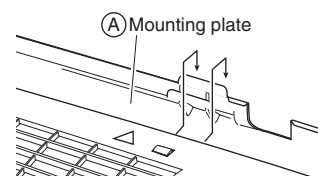
- The recommended installation method is back piping.
- **When performing bottom piping or left side piping, refer to "3-4. Bottom or left side piping" on page 7.**
- Right side piping cannot be performed.

3-1. Right-back piping

- 1) Attach the drain hose to the underside of the refrigerant pipes with adhesive vinyl tape.
- 2) Wrap the refrigerant pipes and drain hose together with $\text{\textcircled{K}}$ insulation tape.



- 3) Pass the drain hose and refrigerant pipes through the wall hole, then position the indoor unit on the (A) mounting plate hooks, using the Δ markings at the top of the indoor unit as a guide.



3-2. Left-back piping

- 1) Replace the drain plug and drain hose.

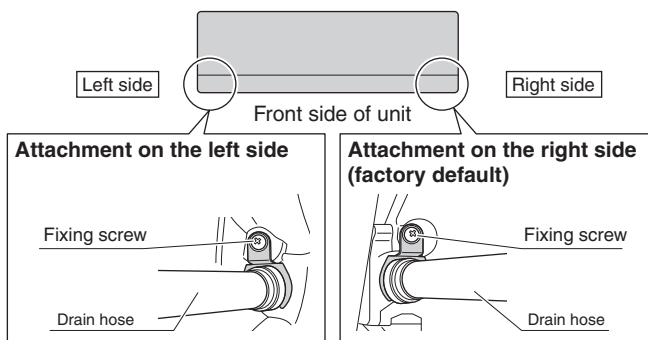
How to replace the drain plug and drain hose

Replacing onto the left side

- 1) Remove the fixing screw on the right side and remove the drain hose.
- 2) Remove the drain plug on the left side and attach it to the right side.
- 3) Insert the drain hose and tighten with the included fixing screw. Forgetting to tighten this may cause water leakages.

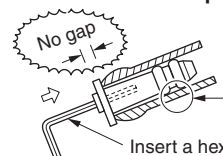
Drain hose attachment position

The drain hose is on the back of the unit.



- 2) Attach the drain hose to the underside of the refrigerant pipes with adhesive vinyl tape.
- 3) Be sure to connect the drain plug to the drain port in place of without drain hose.

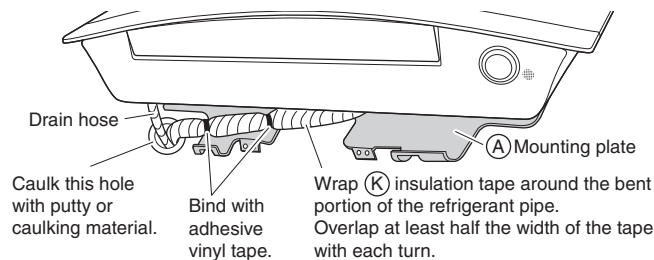
How to set the drain plug



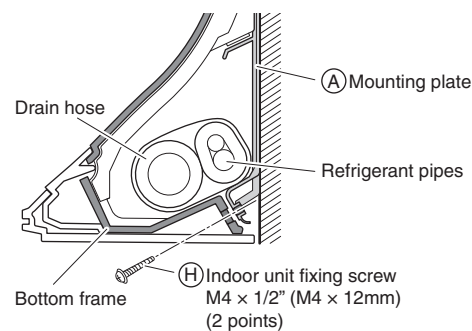
Do not apply lubricating oil (refrigerant oil) to the drain plug when inserting it. The application of lubrication oil to the drain plug will deteriorate the plug to cause drain leakage from the plug.

Insert a hexagonal wrench (3/16 inch (4mm)).

- 4) Shape the refrigerant pipes along the pipe path marking on the (A) mounting plate.
- 5) Pass the drain hose and refrigerant pipes through the wall hole, then position the indoor unit on the (A) mounting plate hooks, using the Δ markings at the top of the indoor unit as a guide.
- 6) Connect the refrigerant pipes.
- 7) In case of pulling the drain hose through the back of the indoor unit, wrap the refrigerant pipes and drain hose together with (K) insulation tape as shown in the figure.



- 8) Press the bottom edge of the indoor unit with both hands until it is firmly caught by the (A) mounting plate hooks. Secure the indoor unit to the (A) mounting plate with the (H) indoor unit fixing screws M4 \times 1/2" (M4 \times 12mm).



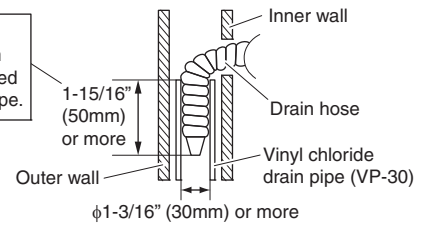
Indoor Unit Installation

3-3. Wall embedded piping

Follow the instructions given under left-back piping.

- 1) Insert the drain hose to this depth so it won't be pulled out of the drain pipe.

Insert the drain hose to this depth so it won't be pulled out of the drain pipe.

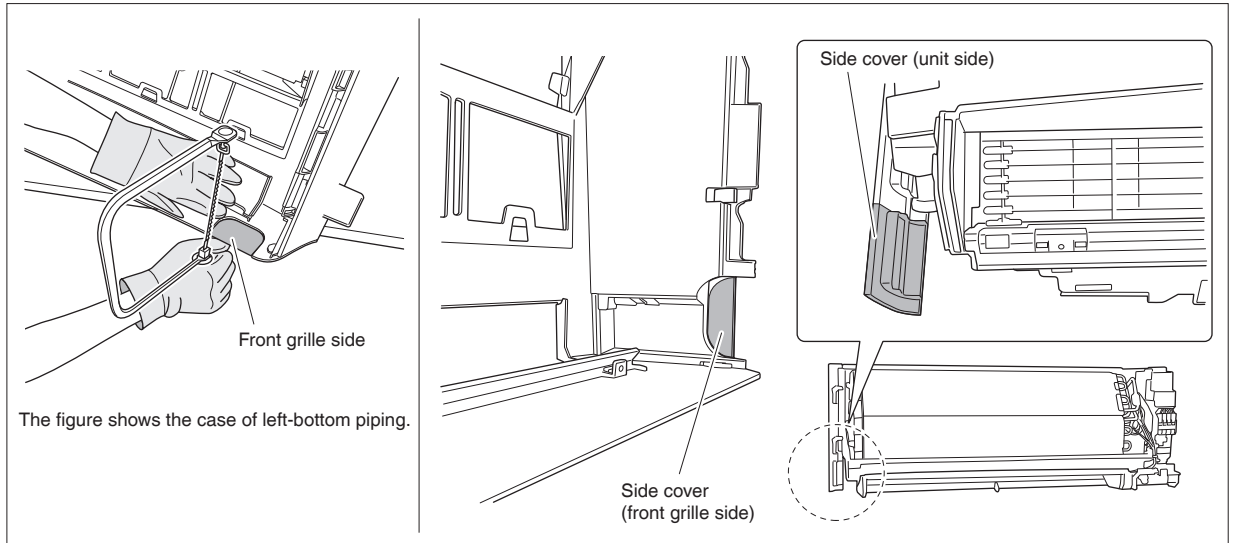


3-4. Bottom or left side piping

- 1) Cut off the pipe port cover with a coping saw.

- **For bottom piping:** On the bottom of the front grille
- **For left side piping:** On the side cover (front grille side and unit side)

Apply the blade of the coping saw to the notch, and cut off the pipe port cover along the uneven inner surface.

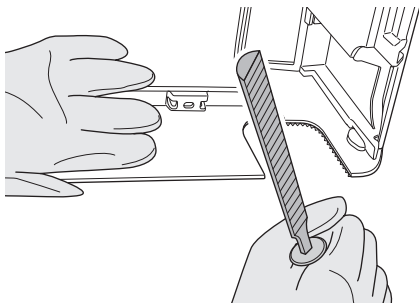


- 2) After cutting off the pipe port cover, perform filing.

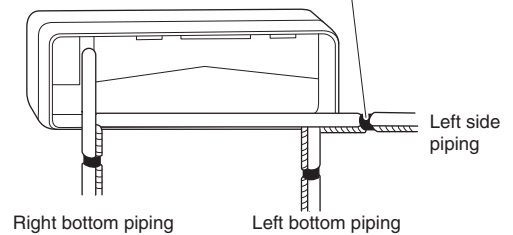
Remove the burrs along the cut section using a half round needle file.

- 3) Wrap the refrigerant pipes and drain hose together with (K) insulation tape.

Then, insert the drain hose and refrigerant pipes into the wall hole after inserting them into the cut out piping hole opened.



Bind refrigerant pipe and drain hose together with adhesive vinyl tape.



NOTE

- Be careful not to let chips enter the driving section of the arm.
- Be careful not to put pressure on the lower front panel.

4. Wiring

Refer to the installation manual for the outdoor unit also.

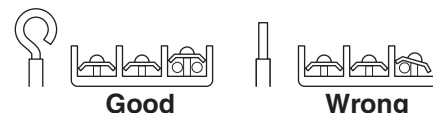
⚠ WARNING

- Do not use tapped wires, extension cords, or starburst connections, as they may cause overheating, electric shock, or fire.
- Do not use locally purchased electrical parts inside the product. (Do not branch the power for the drain pump, etc., from the terminal block.) Doing so may cause electric shock or fire.
- Do not connect the power wire to the indoor unit. Doing so may cause electric shock or fire.

⚠ CAUTION

When connecting the connection wire to the terminal block using a single core wire, be sure to perform curling.

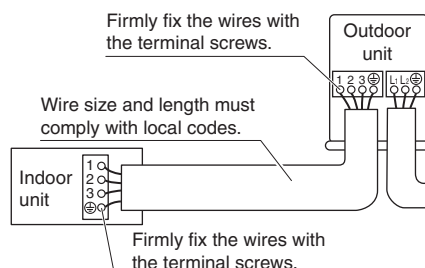
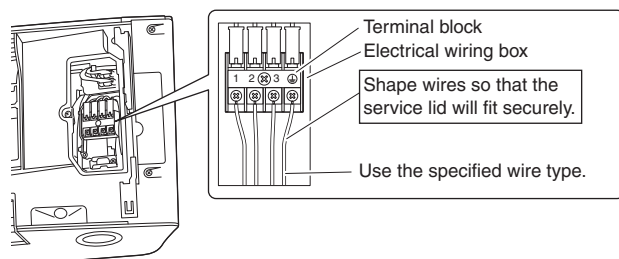
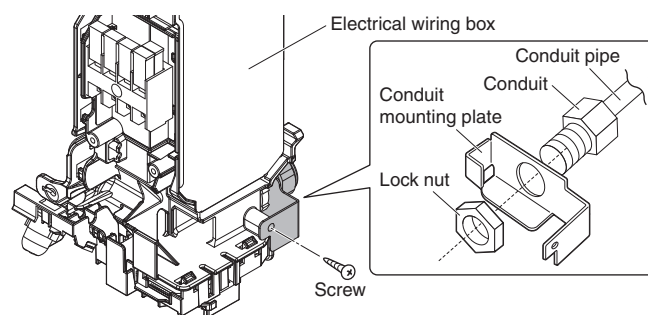
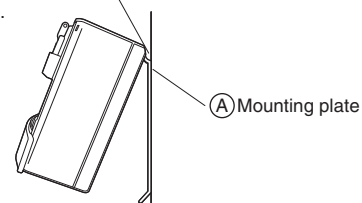
Problems with the installation may cause heat and fires.



With a multi indoor unit , install as described in the installation manual supplied with the multi outdoor unit.

- 1) Remove the upper front panel, then remove the service lid.
(Refer to the opening method on page 4.)
- 2) Lift up the unit and place it on the (A) mounting plate hooks.
- 3) Remove the front grille.
(Refer to the removal method on page 11.)
- 4) Remove the conduit mounting plate and then secure the conduit to the conduit mounting plate with the lock nut, as shown in the illustration.
- 5) Strip wire ends (3/4 inch (20mm)).
- 6) Match wire colors with terminal numbers on the indoor and outdoor unit's terminal blocks and firmly secure the wires in the corresponding terminals with the screws.
- 7) Connect the ground wire to the corresponding terminals.
- 8) Pull the wires lightly to make sure they are securely connected.
- 9) In case of connecting to an adapter system, run the remote controller cable and attach the S21.
(Refer to "5. When connecting to an HA system" on page 13.)
- 10) Attach the conduit mounting plate.
- 11) Shape the wires so that the service lid fits securely.
- 12) Attach the front grille.
- 13) Attach the service lid and the upper front panel.

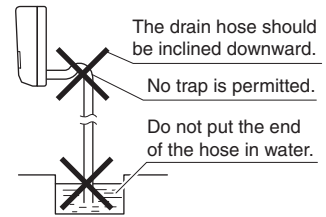
Hang indoor unit on the hooks of mounting plate.



Indoor Unit Installation

5. Drain piping

1) Connect the drain hose, as described on the right.



2) Remove the upper front panel and the air filters. (Refer to removal method on page 11.)
Pour some water into the drain pan to check the water flows smoothly.

3) If drain hose extension or embedded drain piping is required, use appropriate parts that match the hose front end.

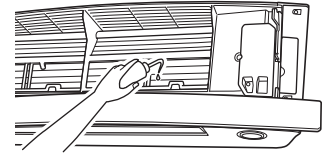
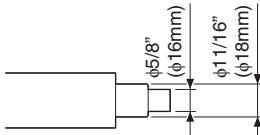
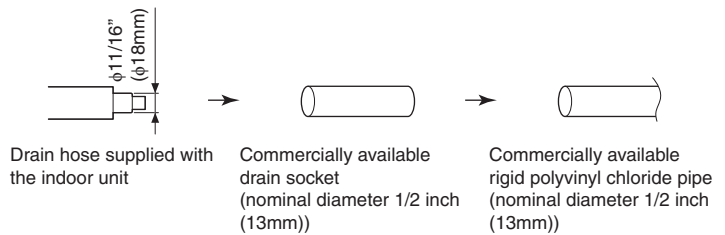
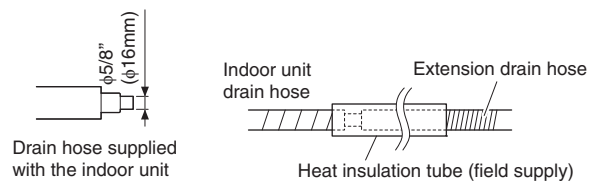


Figure of hose front end



- When drain hose requires extension, obtain an extension hose with an inner diameter of 5/8 inch (16mm). Be sure to thermally insulate the indoor section of the extension hose.
- When connecting a rigid polyvinyl chloride pipe (nominal diameter 1/2 inch (13mm)) directly to the drain hose attached to the indoor unit as with embedded piping work, use any commercially available drain socket (nominal diameter 1/2 inch (13mm)) as a joint.



Refrigerant Piping Work

⚠ WARNING

- Do not apply mineral oil on flared part.
- Prevent mineral oil from getting into the system as this would reduce the service life of the units.
- Never use piping which has been used for previous installations. Only use parts which are delivered with the unit.
- Never install a dryer to this R410A unit in order to guarantee its service life.
- The drying material may dissolve and damage the system.
- Incomplete flaring may result in refrigerant gas leakage.

With a multi indoor unit, install as described in the installation manual supplied with the multi outdoor unit.

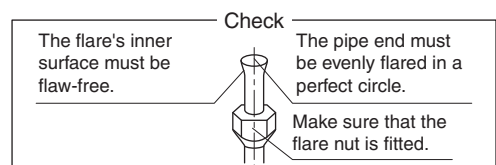
1. Flaring the pipe end

- 1) Cut the pipe end with a pipe cutter.
- 2) Remove burrs with the cut surface facing downward so that the filings do not enter the pipe.
- 3) Put the flare nut on the pipe.
- 4) Flare the pipe.
- 5) Check that the flaring has been done correctly.



Set exactly at the position shown below.

Flare tool for R410A	Conventional flare tool		
	Clutch-type	Clutch-type (Rigid-type)	Wing-nut type (Imperial-type)
A	0-0.020 inch (0-0.5mm)	0.039-0.059 inch (1.0-1.5mm)	0.059-0.079 inch (1.5-2.0mm)

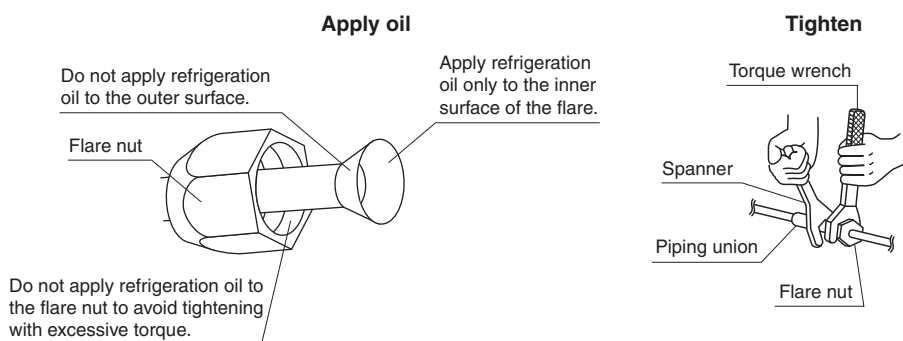


2. Refrigerant piping

⚠ CAUTION

- Use the flare nut fixed to the main unit. (This is to prevent the flare nut from cracking as a result of deterioration over time.)
- To prevent gas leakage, apply refrigeration oil only to the inner surface of the flare. (Use refrigeration oil for R410A.)
- Use a torque wrench when tightening the flare nuts to prevent damage to the flare nuts and gas leakage.

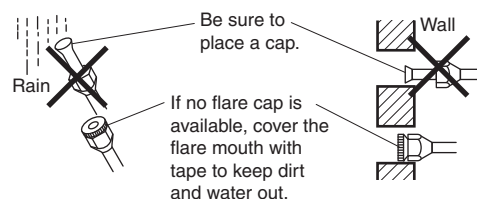
- Align the centers of both flares and tighten the flare nuts 3 or 4 turns by hand, then tighten them fully with a spanner and a torque wrench.



	Piping size	Flare nut tightening torque
Gas side	O.D. 3/8 inch (9.5mm)	24-1/8–29-1/2ft • lbf (32.7-39.9N • m)
	O.D. 1/2 inch (12.7mm)	36-1/2–44-1/2ft • lbf (49.5-60.3N • m)
Liquid side	O.D. 1/4 inch (6.4mm)	10-1/2–12-3/4ft • lbf (14.2-17.2N • m)

2-1. Caution on piping handling

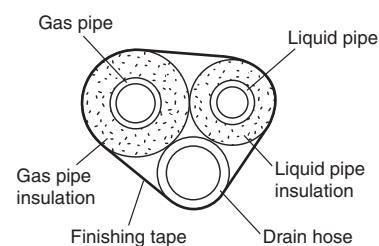
- Protect the open end of the pipe against dust and moisture.
- All pipe bends should be as gentle as possible. Use a pipe bender for bending.



2-2. Selection of copper and heat insulation materials

When using commercial copper pipes and fittings, observe the following:

- Insulation material: Polyethylene foam
Heat transfer rate: 0.041 to 0.052W/mK (0.024 to 0.030Btu/ft•°F (0.035 to 0.045kcal/mh•°C))
Be sure to use insulation that is designed for use with HVAC Systems.
- ACR Copper only.



- Be sure to insulate both the gas and liquid piping and observe the insulation dimensions as below.

	Piping size	Minimum bend radius	Piping thickness	Thermal insulation size	Thermal insulation thickness
Gas side	O.D. 3/8 inch (9.5mm)	1-3/16 inch (30mm) or more	0.031 inch (0.8mm) (C1220T-O)	I.D. 15/32-19/32 inch (12-15mm)	13/32 inch (10mm) Min.
	O.D. 1/2 inch (12.7mm)	1-9/16 inch (40mm) or more		I.D. 9/16-5/8 inch (14-16mm)	
Liquid side	O.D. 1/4 inch (6.4mm)	1-3/16 inch (30mm) or more		I.D. 5/16-13/32 inch (8-10mm)	

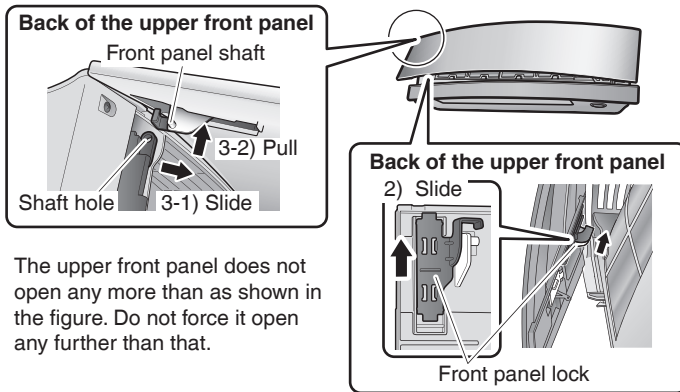
- Use separate thermal insulation pipes for gas and liquid refrigerant pipes.

Installation Tips

1. Removing and installing the upper front panel

• Removal method

- 1) Open the upper front panel.
- 2) Slide the front panel locks on the back of the front panel upward to release the locks (left and right sides).
- 3) Remove the panel shafts on both sides from the shaft holes, and dismount the upper front panel.



The upper front panel does not open any more than as shown in the figure. Do not force it open any further than that.

• Installation method

- 1) Slide the front panel locks on the back of the front panel upward to release the locks (left and right sides).
- 2) Insert the panel shafts on both sides of the upper front panel into the shaft holes.
- 3) Slide the front panel locks on each side downward to lock them.
- 4) Close the upper front panel slowly. (See Fig. 1)
- 5) Do not push on the panel to close it. (See Fig. 2)
- 6) Turn on the unit using the remote controller. Wait till the upper and lower front panels are completely open. Then, turn off the unit using the remote controller again. (See Fig. 3)
- 7) Once the both panels close completely, gently push the upper front panel to hook it into position. (See Fig. 4)

⚠ CAUTION

Do not attempt to push closed the front panel with the upper and lower front panels overlapping. Internal parts may break. (See Fig. 5)
If the front panel must be closed by hand for some reason (remote controller not functioning owing to lack of power supply, etc.), follow the instructions affixed to the indoor unit.

Fig. 1

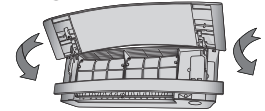


Fig. 2

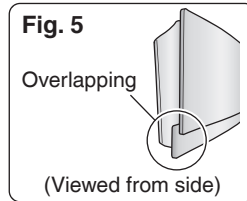
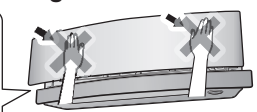
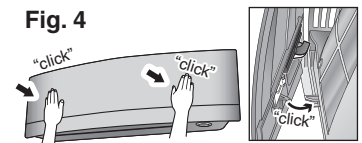


Fig. 3



Fig. 4



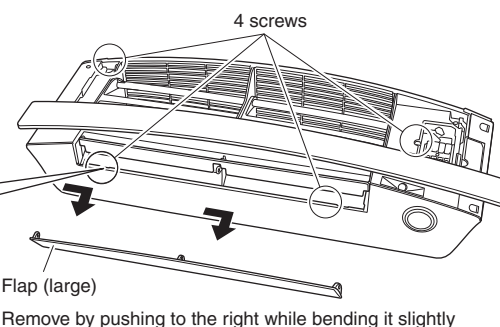
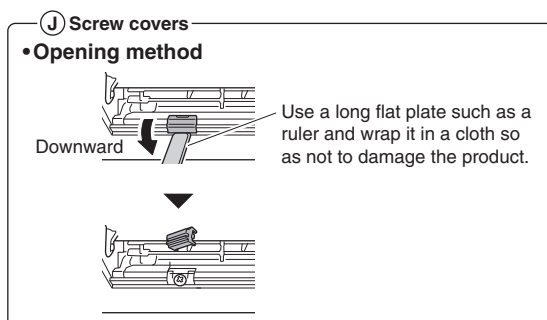
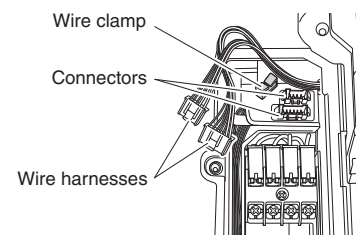
2. Removing and installing the front grille

⚠ CAUTION

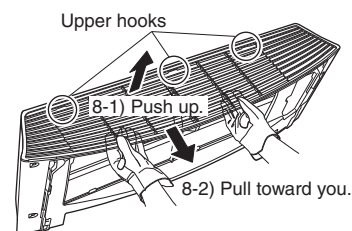
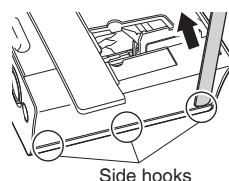
Be sure to wear protection gloves.

• Removal method

- 1) Remove the upper front panel and air filters.
- 2) Remove the service lid. (Refer to the opening method on page 4.)
- 3) Disconnect the wire harnesses from the wire clamp, and remove the wire harnesses from the connectors.
- 4) Push the lower front panel up until it stops.
- 5) Dismount the flap (large).
- 6) Open the 2 screw covers, and remove 4 screws from the front grille. (The screw covers are not factory-mounted.)



- 7) Wear protection gloves and insert both hands under the front grille as shown in the figure.
- 8) Remove the front grille from the 3 upper hooks by pushing up the top side of the front grille, pull the front grille toward you by holding both ends of the front grille, and dismount the front grille.
 - If the grille is hard to remove, insert a long flat plate* through the gap in the side cover as shown in the figure, and turn the plate inwards to disengage the hooks (3 hooks each on the right and left sides) so that you can remove the grille easily.



* Such as a ruler wrapped in a cloth

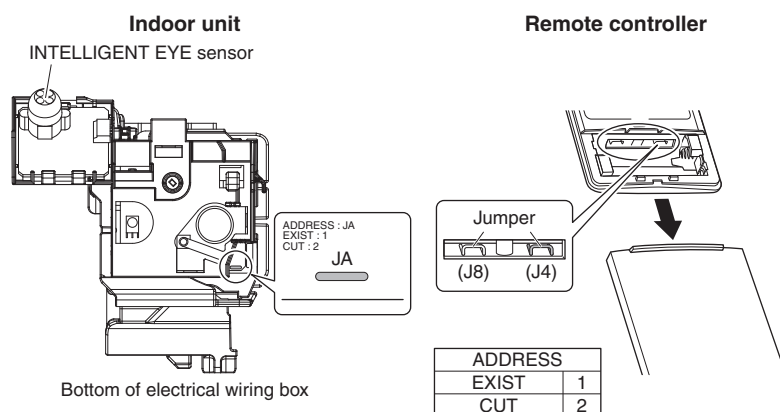
• Installation method

- 1) Install the front grille and firmly engage the upper hooks (3 locations), right and left sides hooks (each 3 locations).
- 2) Install 4 screws of the front grille, and close the 2 screw covers.
- 3) Mount the flap (large).
- 4) Lower the lower front panel to the original position.
- 5) Attach the wire harnesses to the 2 connectors and secure the wire harnesses with the wire clamp.
- 6) Install the air filters and then mount the upper front panel.

3. How to set the different addresses

When 2 indoor units are installed in one room, the 2 wireless remote controllers can be set for different addresses. Change the address setting of one of the two units. When cutting the jumper be careful not to damage any of the surrounding parts.

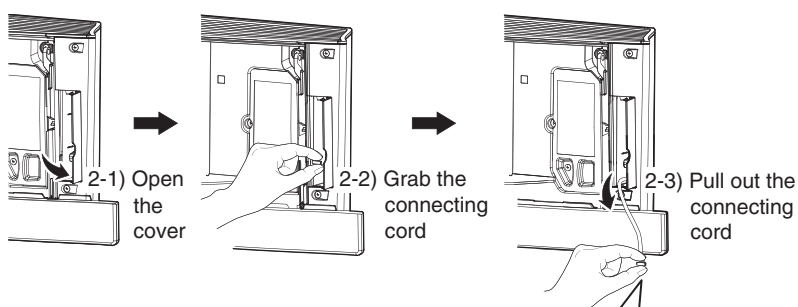
- 1) Remove the upper front panel and front grille. (Refer to the removal method on page 11.)
- 2) Cut the address jumper (JA) on the printed circuit board.
- 3) Cut the address jumper (J4) in the remote controller.
 - Be careful not to cut jumper (J8).



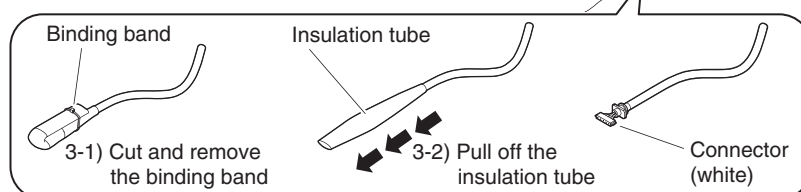
4. When connecting a wireless LAN connecting adapter

• Connection method

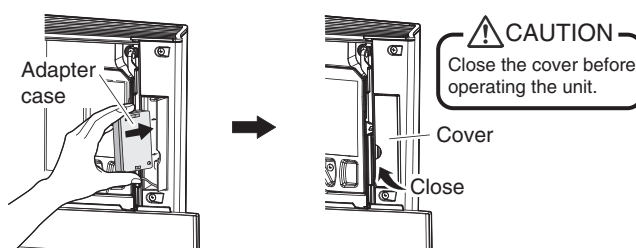
- 1) Remove the upper front panel. (Refer to the removal method on page 11.)
- 2) Open the cover, grab the connecting cord with your fingers and pull it out.



- 3) Remove the binding band and pull the insulation tube off the connecting cord.



- 4) Connect the wireless LAN connecting adapter. (For details on connection procedures, refer to the installation manual for the wireless LAN connecting adapter.)
- 5) Place the adapter case into the indoor unit and close the cover.
- 6) Install the upper front panel. (Refer to the installation method on page 11.)

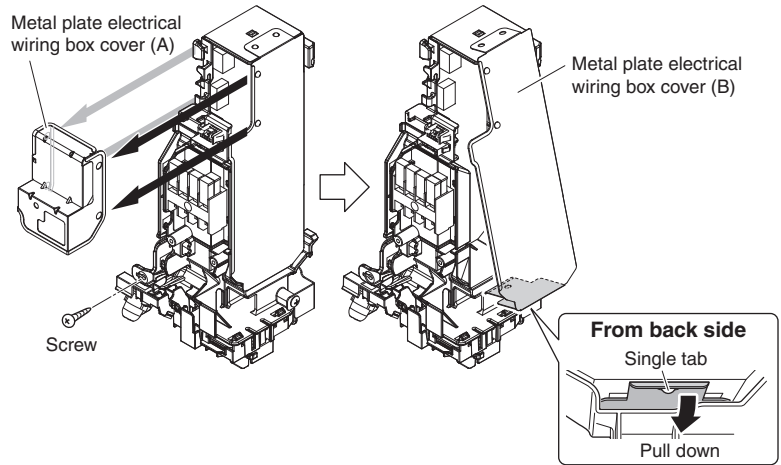


Installation Tips

5. When connecting to an HA system (wired remote controller, central remote controller etc.)

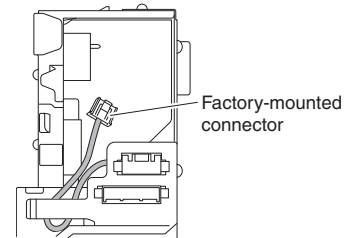
• Removal methods for metal plate electrical wiring box covers

- 1) Remove the upper front panel and front grille. (Refer to the removal method on page 11.)
- 2) Remove the electrical wiring box. (1 screw)
- 3) Remove the 4 tabs and dismount the metal plate electrical wiring box cover (A).
- 4) Pull down the hook on the metal plate electrical wiring box cover (B), and remove a single tab.
- 5) Remove the 2 tabs on the top part and dismount the metal plate electrical wiring box cover (B).

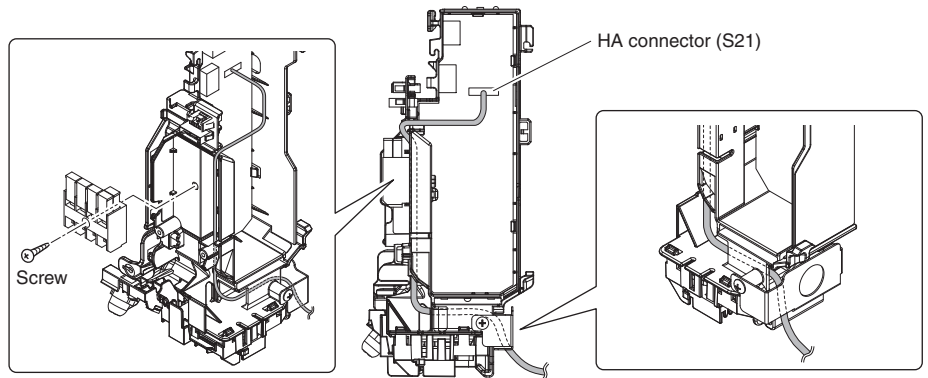


• Attachment methods of connection cord

- 1) Remove the factory-mounted connector from S21.
- 2) Tie the harnesses in a bundle as shown in the figure so that the removed connector does not interfere with the printed circuit board.

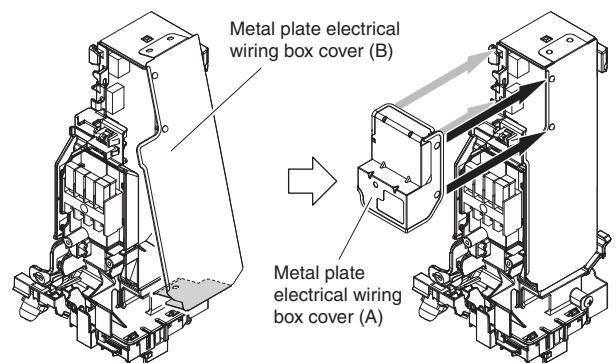


- 3) Attach the connection cord to the S21 connector and pull the harness out through the notched part in the figure.



• Attachment methods for metal plate electrical wiring box covers

- 1) Hook the top part of the metal plate electrical wiring box cover (B) on the 2 tabs.
- 2) Press in the hook on the bottom to catch a single tab, and mount the metal plate electrical wiring box cover (B).
- 3) Insert the connector into the hole, and hook and mount the metal plate electrical wiring box cover (A) onto the 4 tabs.
- 4) Install the electrical wiring box. (1 screw)
- 5) Install the upper front panel and front grille. (Refer to the installation method on page 11.)



Trial Operation and Testing

1. Trial operation and testing

- Trial operation should be carried out in either COOL or HEAT operation.

1-1. Measure the supply voltage and make sure that it is within the specified range.





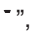

1-2. In COOL operation, select the lowest programmable temperature; in HEAT operation, select the highest programmable temperature.

1-3. Carry out the trial operation following the instructions in the operation manual to ensure that all functions and parts, such as the movement of the louvers, are working properly.


- To protect the air conditioner, restart operation is disabled for 3 minutes after the system has been turned off.

1-4. After trial operation is complete, set the temperature to a normal level (78°F to 82°F (26°C to 28°C) in COOL operation, 68°F to 75°F (20°C to 24°C) in HEAT operation).

- When operating the air conditioner in COOL operation in winter, or HEAT operation in summer, set it to the trial operation mode using the following method.

- 1) Press  to turn on the system.
- 2) Press both of  and  at the same time.
- 3) Press , select “”, and press  for confirmation.


- Trial operation will stop automatically after about 30 minutes.

To stop the operation, press .

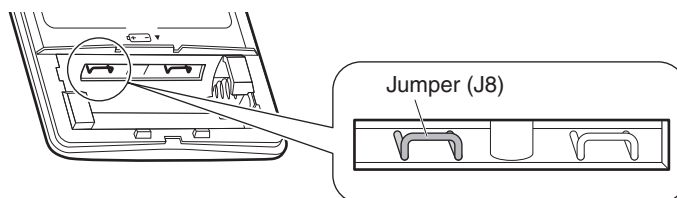
- Some of the functions cannot be used in the trial operation mode.

- The air conditioner draws a small amount of power in its standby mode. If the system is not to be used for some time after installation, shut off the circuit breaker to eliminate unnecessary power consumption.
- If the circuit breaker trips to shut off the power to the air conditioner, the system will restore the original operation mode when the circuit breaker is opened again.

2. Test items

Test items	Symptom	Check
Indoor and outdoor units are installed securely.	Fall, vibration, noise	
No refrigerant gas leaks.	Incomplete cooling/heating function	
Refrigerant gas and liquid pipes and indoor drain hose extension are thermally insulated.	Water leakage	
Draining line is properly installed.	Water leakage	
System is properly grounded.	Electrical leakage	
Only specified wires are used for all wiring, and all wires are connected correctly.	No operation or burn damage	
Indoor or outdoor unit's air inlet or air outlet are unobstructed.	Incomplete cooling/heating function	
Stop valves are opened.	Incomplete cooling/heating function	
Indoor unit properly receives remote controller commands.	No operation	
 will be displayed when the MODE button is pressed.*	No heating	
Pipes and wires are connected to the corresponding terminal blocks/connection ports for the connected unit.	No cooling/heating	

* Check that the jumper (J8) has not been cut. If it has been cut, contact the service shop.





Sommaire


Considérations sur la sécurité	1	Travaux de tuyauterie de réfrigérant	9
Accessoires	3	1. Évasement de l'extrémité du tuyau.....	9
Choix du site de l'installation	3	2. Tuyauterie de réfrigérant.....	10
1. Unité intérieure.....	3	Conseils d'installation	11
2. Télécommande sans fil.....	3	1. Retrait et installation du panneau avant supérieur	11
Schéma d'installation de l'unité intérieure	4	2. Retrait et installation de la grille avant	11
Installation de l'unité intérieure	5	3. Comment définir les différentes adresses.....	12
1. Installation de la plaque de montage	5	4. Lors de la connexion d'un adaptateur de connexion LAN sans fil	12
2. Perçage d'un trou dans le mur et installation du tuyau encastré dans le mur.....	5	5. Lors de la connexion à un système HA	13
3. Installation de l'unité intérieure.....	5	Fonctionnement d'essai et test	14
4. Câblage.....	8	1. Fonctionnement d'essai et test	14
5. Tuyau d'évacuation.....	9	2. Éléments testés	14


Considérations sur la sécurité


Lisez soigneusement ces **Considérations sur la sécurité** pour l'installation avant d'installer un climatiseur ou une pompe à chaleur. Après avoir complété l'installation, assurez-vous que l'unité fonctionne correctement pendant l'opération de démarrage. Former l'utilisateur sur la façon d'exploiter et d'entretenir l'unité. Informer les utilisateurs qu'ils doivent conserver ce manuel d'installation avec le manuel d'utilisation pour référence ultérieure. Utilisez toujours un installateur ou un entrepreneur agréé pour installer ce produit. Une mauvaise installation peut provoquer une fuite d'eau ou de réfrigérant, une électrocution, un incendie ou une explosion. Signification des symboles **DANGER**, **AVERTISSEMENT**, **ATTENTION**, et **AVIS**:

 **DANGER** Indique une situation extrêmement dangereuse qui, si elle n'est pas évitée, entraînera la mort ou des blessures graves.

 **AVERTISSEMENT** Indique une situation potentiellement dangereuse qui, si elle n'est pas évitée, peut entraîner la mort ou des blessures graves.


 **ATTENTION** Indique une situation potentiellement dangereuse qui, si elle n'est pas évitée, peut entraîner des blessures mineures à modérées. Il peut également être utilisé pour alerter contre des pratiques dangereuses.

 **AVIS** Indique des situations pouvant provoquer des accidents et l'endommagement de l'équipement ou des dégâts matériels seulement.

 **DANGER** _____

- Le gaz réfrigérant est plus lourd que l'air et remplace l'oxygène. Une fuite importante peut conduire à un appauvrissement en oxygène, en particulier en sous-sol, et un risque d'asphyxie peut survenir et entraîner des blessures graves ou la mort.
- Ne reliez pas les unités à des conduites d'eau, à des tuyaux de gaz, à des câbles téléphoniques ou à des paratonnerres, car une mise à la terre incomplète pourrait provoquer un risque d'électrocution important pouvant entraîner des blessures graves ou la mort. De plus, relier des tuyaux de gaz peut provoquer une fuite de gaz, une explosion potentielle entraînant des blessures graves ou la mort.

- Si vous constatez des fuites de gaz réfrigérant pendant l'installation, aérez immédiatement la zone. Le gaz réfrigérant peut produire un gaz toxique s'il entre en contact avec une flamme. L'exposition à ce gaz peut provoquer des blessures graves ou la mort.
- Après l'achèvement des travaux d'installation, vérifiez que le gaz réfrigérant ne fuit pas à travers le système.
- N'installez pas une unité dans un endroit où des matériaux inflammables sont présents en raison du risque d'explosion pouvant entraîner des blessures graves ou la mort.
- Disposez de façon sécuritaire tous les matériaux d'emballage et de transport conformément aux lois et réglementations fédérales, étatiques et locales. Les matériaux d'emballage tels que des clous et autres pièces métalliques ou en bois, y compris les matériaux d'emballage en plastique utilisés pour le transport peuvent causer des blessures ou la mort par suffocation.

 **AVERTISSEMENT** _____

- Seul le personnel qualifié doit effectuer les travaux d'installation. L'installation doit être effectuée conformément à ce manuel d'installation. Une mauvaise installation peut entraîner une fuite d'eau, une électrocution, ou un incendie.
- Lors de l'installation de cette unité dans une petite pièce, prenez des mesures pour maintenir la concentration de réfrigérant en dessous des limites de sécurité admises. Les fuites excessives de réfrigérant, dans le cas d'un accident dans un espace ambiant clos, peuvent conduire à une carence en oxygène.
- Utilisez seulement les accessoires et les pièces spécifiés pour les travaux d'installation. Ne pas utiliser les pièces spécifiées peut entraîner des fuites d'eau, une électrocution, un incendie ou la chute de l'unité.
- Installez le climatiseur ou la pompe à chaleur sur une fondation suffisamment solide pour qu'elle puisse supporter le poids de l'unité. Une fondation de résistance insuffisante peut entraîner la chute de l'unité et causer des blessures.
- Lors de l'installation, prenez en compte les vents forts, les typhons, ou les tremblements de terre. Une mauvaise installation peut provoquer la chute de l'unité et causer des accidents.

- Assurez-vous qu'un circuit d'alimentation électrique séparé est prévu pour cette unité et que tous les travaux d'électricité sont réalisés par du personnel qualifié selon les réglementations locales, étatiques et nationales. Une puissance d'alimentation électrique insuffisante ou une installation électrique inadaptée peut conduire à un choc électrique ou un incendie.
- Assurez-vous que tout le câblage est sécurisé, que les câbles spécifiés sont utilisés, et qu'aucune force extérieure n'agisse sur les connexions ou câbles des bornes. De mauvaises connexions ou une installation inadaptée peuvent provoquer un incendie.
- Lors du câblage, positionnez les câbles de manière à ce que le couvercle du boîtier de câblage électrique puisse être fixé solidement. Un mauvais positionnement du couvercle du boîtier de câblage électrique peut entraîner une électrocution, un incendie ou la surchauffe des bornes.
- Avant de toucher les parties électriques, mettez l'unité hors tension.
- Le circuit doit être protégé par des dispositifs de sécurité conformément aux codes locaux et nationaux en vigueur, à savoir un disjoncteur.
- Fixez solidement le couvercle de la borne de l'unité extérieure (panneau). Si le couvercle/panneau de la borne n'est pas correctement installé, la poussière ou l'eau peuvent pénétrer dans l'unité extérieure provoquant un incendie ou une électrocution.
- Lors de l'installation ou du déplacement du système, maintenez le circuit réfrigérant exempt de substances autres que le réfrigérant spécifié (R410A), tel que l'air. Toute présence d'air ou d'autre substance étrangère dans le circuit de réfrigérant peut provoquer une augmentation anormale de la pression entraînant une rupture et donc des blessures.
- Ne modifiez pas le réglage des dispositifs de protection. Si le commutateur de pression, le commutateur thermique, ou un autre dispositif de protection sont court-circuités et exploités de force, ou des pièces autres que celles spécifiées par Daikin sont utilisées, un incendie ou une explosion peuvent se produire.

ATTENTION

- Ne touchez pas le commutateur avec des doigts mouillés. Toucher un commutateur avec les doigts mouillés peut provoquer une électrocution.
- Ne laissez pas les enfants jouer sur ou autour de l'unité pour éviter les blessures.
- Les ailettes de l'échangeur de chaleur sont suffisamment tranchantes pour couper. Pour éviter des blessures portez des gants ou couvrez les ailettes en travaillant à proximité.
- Ne touchez pas les tuyaux de réfrigérant pendant et immédiatement après le fonctionnement car les tuyaux de réfrigérant peuvent être chauds ou froids, en fonction de l'état du réfrigérant circulant à travers la tuyauterie de réfrigération, le compresseur, et d'autres parties du cycle de réfrigération. Vos mains peuvent subir des brûlures ou des gelures si vous touchez les tuyaux de réfrigérant. Pour éviter les blessures, laissez aux tuyaux le temps de revenir à une température normale ou, si vous devez les toucher, assurez-vous de porter des gants appropriés.
- Installez un tuyau d'évacuation pour assurer une purge adéquate. Une tuyauterie d'évacuation inadaptée peut entraîner des fuites d'eau et des dégâts matériels.
- Isolez la tuyauterie pour éviter la condensation.
- Soyez prudent lors du transport du produit.
- Ne pas éteindre l'appareil immédiatement après l'arrêt de l'opération. Attendez toujours au moins 5 minutes avant de l'éteindre. Sinon, une fuite d'eau peut se produire.
- N'utilisez pas de cylindre de charge. L'utilisation d'un cylindre de charge peut provoquer la détérioration du réfrigérant.
- Le réfrigérant R410A dans le système doit être gardé propre, sec et scellé.

- (a) Nettoyer et sécher -- Empêchez les matières étrangères (y compris les huiles minérales telles que l'huile SUNISO ou l'humidité) d'entrer dans le système.

- (b) Sceller -- R410A ne contient pas de chlore, ne détruit pas la couche d'ozone, et ne réduit pas la protection de la terre contre le rayonnement ultraviolet nocif. R410A peut contribuer à l'effet de serre, si libéré. Par conséquent, prenez des mesures appropriées pour vérifier l'étanchéité de l'installation des tuyaux de réfrigérant. Lisez le chapitre *Travaux de tuyauterie de réfrigérant* et suivre les procédures.

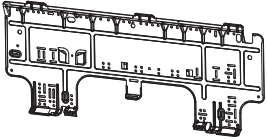

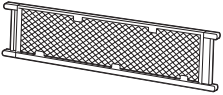
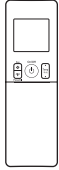
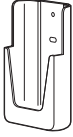

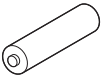

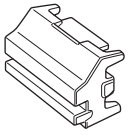
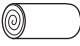
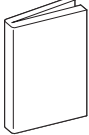
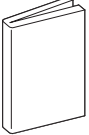
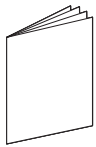
- Étant donné que R410A est un mélange, le réfrigérant supplémentaire nécessaire doit être ajouté à l'état liquide. Si le réfrigérant est ajouté sous l'état de gaz, sa composition peut changer et le système ne fonctionnera pas correctement.
- L'unité intérieure est pour le R410A. Voir le catalogue des modèles d'intérieur qui peuvent être connectés. Le fonctionnement normal est impossible lorsque l'unité est connectée à d'autres.
- La distance de transmission de la télécommande (kit sans fil) peut être plus courte que prévue dans les pièces équipées de lampes fluorescentes électroniques (de type onduleur ou à démarrage rapide). Installez l'unité intérieure aussi loin des lampes fluorescentes que possible.
- Les unités intérieures sont pour une installation intérieure seulement. Les unités extérieures peuvent être installées à l'extérieur ou à l'intérieur.
- N'installez pas le climatiseur ou la pompe à chaleur dans les endroits suivants:
 - (a) Si un brouillard d'huile minérale, la pulvérisation d'huile ou de la vapeur sont produits, par exemple, dans une cuisine. Les pièces en plastique peuvent se détériorer, chuter ou provoquer des fuites d'eau.
 - (b) Là où des gaz corrosifs, tels que l'acide sulfurique, sont produits. La corrosion des tuyaux en cuivre ou des parties soudées peut provoquer des fuites de réfrigérant.
 - (c) Près de machines émettant des ondes électromagnétiques. Les ondes électromagnétiques peuvent perturber le fonctionnement du système de commande et provoquer des dysfonctionnements de l'unité.
 - (d) Là où des gaz inflammables peuvent fuir, là où il y a de la fibre de carbone, ou de la poussière inflammable en suspension dans l'air, là où des gaz inflammables volatils tels que des diluants ou de l'essence sont manipulés. Faire fonctionner l'unité dans ces conditions peut provoquer un incendie.
- Prenez des mesures adéquates pour empêcher que l'unité extérieure devienne un abri pour les petits animaux. Les petits animaux qui entrent en contact avec les parties électriques peuvent provoquer des dysfonctionnements, de la fumée ou un incendie. Former l'utilisateur afin de maintenir la zone propre autour de l'unité.

AVIS

- L'unité intérieure devrait être positionnée de manière à ce que l'unité et les câbles interunités (de l'extérieur à l'intérieur) soient à une distance d'au moins 3,3ft (1m) de toute télévision ou radio. (L'unité peut provoquer des interférences avec l'image ou le son.) Selon les ondes radio, une distance de 3,3ft (1m) peut ne pas être suffisante pour éliminer le bruit.
- Le démontage de l'unité, le traitement du réfrigérant, de l'huile et des pièces supplémentaires doivent être effectués en conformité avec les réglementations locales, étatiques et nationales.
- N'utilisez pas les outils suivants qui sont utilisés avec les réfrigérants conventionnels: collecteur de jauge, tuyau de charge, détecteur de fuite de gaz, clapet de retenue d'écoulement inverse, base de charge de réfrigérant, jauge à vide, ou équipement de récupération de réfrigérant.
- Si le réfrigérant conventionnel et l'huile réfrigérante sont mélangés dans le R410A, le réfrigérant peut se détériorer.
- Ce climatiseur ou pompe à chaleur est un appareil qui ne devrait pas être accessible au grand public.
- Comme la pression de conception est de 604 psi, l'épaisseur des murs des tuyaux installés sur le terrain devrait être choisie en fonction des réglementations locales, étatiques et nationales.

FTN003-U

Accessoires

<p>(A) Plaque de montage</p>  <p>1</p>	<p>(B) Vis de fixation de la plaque de montage M4 × 1" (M4 × 25mm)</p>  <p>5</p>	<p>(C) Filtre désodorisant à l'apatite de titane</p>  <p>2</p>
<p>(D) Télécommande sans fil</p>  <p>1</p>	<p>(E) Support de la télécommande</p>  <p>1</p>	<p>(F) Vis de fixation du support de télécommande M3 × 13/16" (M3 × 20mm)</p>  <p>2</p>
<p>(G) Pile sèche AAA. LR03 (alcaline)</p>  <p>2</p>	<p>(H) Vis de fixation de l'unité intérieure M4 × 1/2" (M4 × 12mm)</p>  <p>2</p>	<p>(J) Cache-vis</p>  <p>2</p>
<p>(K) Ruban isolant</p>  <p>1</p>	<p>(L) Manuel d'utilisation</p>  <p>1</p>	<p>(M) Manuel d'installation</p>  <p>1</p>
<p>(N) Garantie</p>  <p>1</p>		

Choix du site de l'installation

Avant de choisir le site de l'installation, obtenez l'approbation de l'utilisateur.

1. Unité intérieure

L'unité intérieure doit être placée dans un endroit où:

- 1) les restrictions sur les conditions d'installation spécifiées dans "Schéma d'installation de l'unité intérieure" à la page 4 sont remplies,
- 2) l'entrée d'air et la sortie d'air ne sont pas obstruées,
- 3) l'unité n'est pas directement exposée à la lumière directe du soleil,
- 4) l'unité se trouve éloignée de toute source de chaleur ou de vapeur,
- 5) il n'existe aucune source de vapeur d'huile de mouvement (cela peut raccourcir la durée de vie de l'unité intérieure),
- 6) l'air froid/chaud est distribué dans toute la pièce,
- 7) l'unité est éloignée des lampes fluorescentes de type allumage électronique (onduleur ou type de démarrage rapide), car elles peuvent affecter la portée de la télécommande,
- 8) aucun équipement de blanchisserie ne se trouve à proximité.

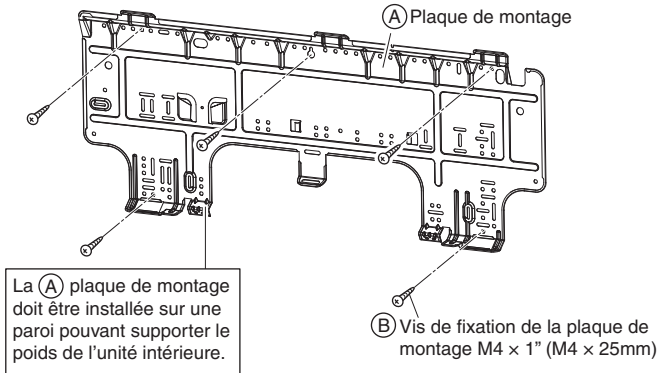
2. Télécommande sans fil

Allumez, le cas échéant, toutes les lampes fluorescentes dans la pièce, et trouvez un emplacement où les signaux de la télécommande sont bien reçus par l'unité intérieure (à moins de 19-11/16ft (6m)).

Schéma d'installation de l'unité intérieure

⚠ ATTENTION

- Ne pas donner de coup ou pousser violemment le capteur **ŒIL INTELLIGENT**. Cela peut conduire à des dommages et des dysfonctionnements.
- Ne pas placer de gros objets à proximité du capteur **ŒIL INTELLIGENT**. Gardez aussi les unités de chauffage ou les humidificateurs à l'extérieur de la zone de détection du capteur.



■ **Comment fixer l'unité intérieure**
 Accrochez les crochets du cadre inférieur à la (A) plaque de montage. Si les crochets sont difficiles à accrocher, retirez la grille avant.

■ **Comment retirer l'unité intérieure**
 Poussez la partie inférieure de la grille avant pour libérer les crochets. Si c'est difficile à libérer, retirez la grille avant.

(A) Plaque de montage

Crochet

Grille avant

Cadre inférieur

(J) Cache-vis

1-3/16" (30mm) ou plus du plafond

1-15/16" (50mm) ou plus des murs (des deux côtés)

Panneau avant supérieur

Vis M4 x 5/8" (M4 x 16mm)

Lors du démontage de la grille avant, se référer à "2. Retrait et installation de la grille avant" à la page 11.

Capteur ŒIL INTELLIGENT

Panneau avant inférieur

19-11/16" (500mm) ou plus

Assurez-vous qu'il n'y a pas d'obstacle au sein de 19-11/16 inch (500mm) sous le récepteur de signal. De tels obstacles, le cas échéant, peuvent avoir une influence défavorable sur les performances de réception du récepteur et la distance de réception peut être raccourcie.

Coupez le tuyau d'isolation thermique à une longueur appropriée et enveloppez-le de ruban adhésif, en faisant en sorte qu'aucun espace ne soit laissé dans la ligne de coupe du tuyau d'isolation.

Enroulez le tuyau d'isolation avec le ruban de finition de bas en haut.

(C) Filtre désodorisant à l'apatite de titane (2)

Cadre du filtre

Filtre désodorisant à l'apatite de titane

Griffe

Languette

Filtre à air

Couvercle d'entretien
 Le couvercle d'entretien est amovible.

■ **Méthode d'ouverture**

- 1) Retirez les vis du couvercle d'entretien.
- 2) Retirez le couvercle d'entretien en diagonale vers le bas dans le sens de la flèche.
- 3) Tirez vers le bas.

(D) Télécommande sans fil

Avant de visser le (E) support de la télécommande sur le mur, assurez-vous que les signaux de commande sont correctement reçus par l'unité intérieure.

(E) Support de la télécommande

(F) Vis de fixation du support de télécommande M3 x 13/16" (M3 x 20mm)

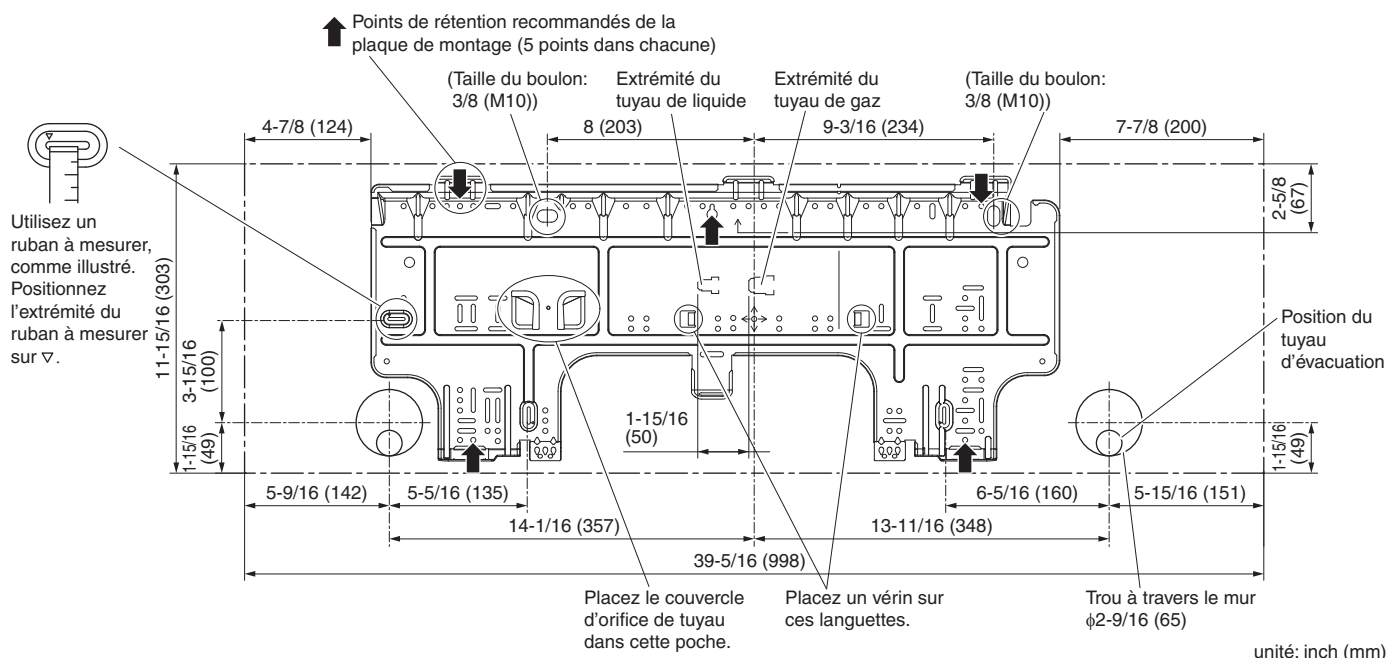
Installation de l'unité intérieure

1. Installation de la plaque de montage

La plaque de montage doit être installée sur une paroi pouvant supporter le poids de l'unité intérieure.

- 1) Fixez provisoirement la plaque de montage au mur, assurez-vous que le panneau est parfaitement à niveau, et marquez les points de perçage sur le mur.
- 2) Fixez la plaque de montage au mur avec les vis.

Dimensions et points de rétention recommandés de la plaque de montage

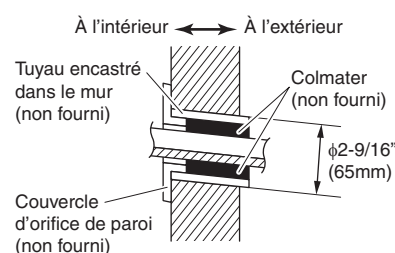


2. Perçage d'un trou dans le mur et installation du tuyau encastré dans le mur

⚠ AVERTISSEMENT

Pour les murs à charpente ou panneau métallique, assurez-vous d'utiliser un tuyau encastré dans le mur et un couvercle d'orifice de paroi dans l'orifice d'alimentation transversal pour empêcher toute chaleur, électrocution ou incendie.

- Assurez-vous de calfeutrer les interstices autour des tuyaux avec des matériaux de colmatage pour éviter la condensation.
- 1) Percez un orifice d'alimentation transversal d'un diamètre de ϕ 2-9/16 inch (65mm) dans le mur à un angle descendant vers l'extérieur.
 - 2) Insérez un tuyau encastré dans le mur à l'intérieur du trou.
 - 3) Insérez un couvercle d'orifice de paroi dans le tuyau du mur.
 - 4) Après avoir terminé l'installation de la tuyauterie de réfrigérant, le câblage et la tuyauterie d'évacuation, calfeutrez l'écart de trou du tuyau avec du mastic.

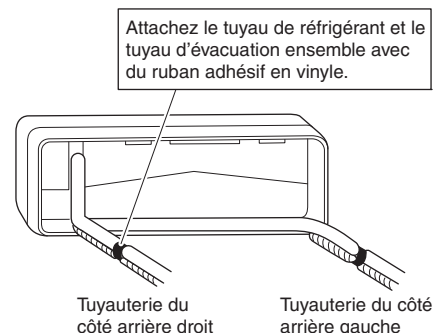


3. Installation de l'unité intérieure

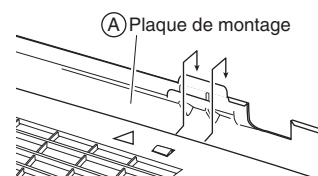
- La méthode d'installation recommandée est avec la tuyauterie à l'arrière.
- Lorsque le raccordement de la tuyauterie est effectué par le bas ou la gauche, voir "3-4. Tuyauterie du bas ou de gauche" à la page 7.
- Le raccordement à la tuyauterie ne peut être effectué du côté droit.

3-1. Tuyauterie du côté arrière droit

- 1) Fixez le tuyau d'évacuation à la partie inférieure des tuyaux de réfrigérant avec du ruban vinyle adhésif.
- 2) Enveloppez les tuyaux de réfrigérant et le tuyau d'évacuation avec du $\text{\textcircled{K}}$ ruban isolant.



- 3) Faites passer le tuyau d'évacuation et les tuyaux de réfrigérant à travers le trou dans le mur, puis positionnez l'unité intérieure sur les crochets de (A) plaque de montage, en utilisant les Δ repères au sommet de l'unité intérieure comme guide.



3-2. Tuyauterie du côté arrière gauche

- 1) Remplacez le bouchon d'évacuation et le tuyau d'évacuation.

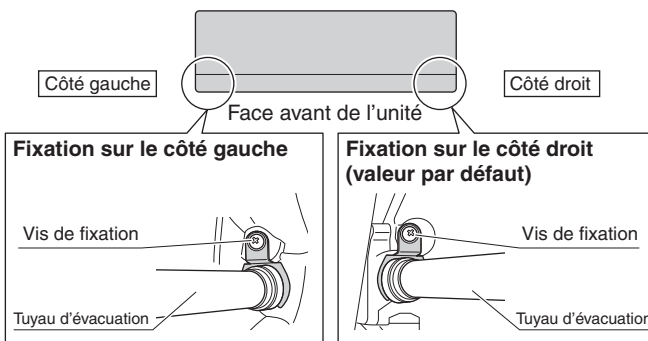
Comment remplacer le bouchon d'évacuation et le tuyau d'évacuation

Remplacement sur le côté gauche

- 1) Retirez la vis de fixation sur le côté droit et retirez le tuyau d'évacuation.
- 2) Retirez le bouchon d'évacuation sur le côté gauche et fixez-le sur le côté droit.
- 3) Insérez le tuyau d'évacuation et serrez-le avec la vis de fixation fournie. Oublier de le serrer peut provoquer des fuites d'eau.

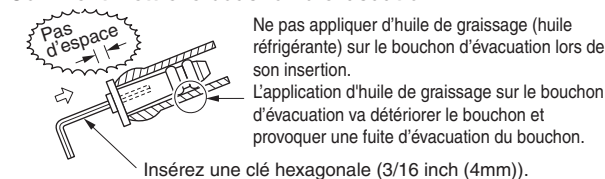
Position de fixation du tuyau d'évacuation

Le tuyau d'évacuation est situé à l'arrière de l'unité.

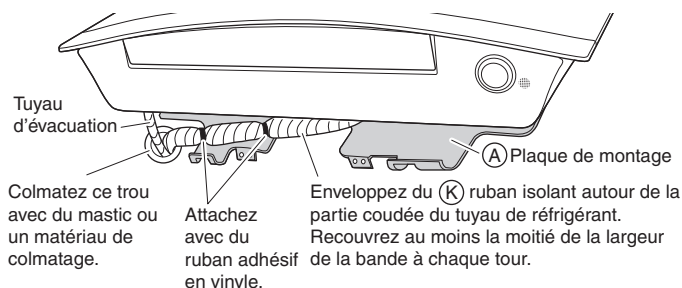


- 2) Fixez le tuyau d'évacuation à la partie inférieure des tuyaux de réfrigérant avec du ruban vinyle adhésif.
- 3) Assurez-vous de connecter le bouchon d'évacuation à l'orifice d'évacuation sans tuyau d'évacuation.

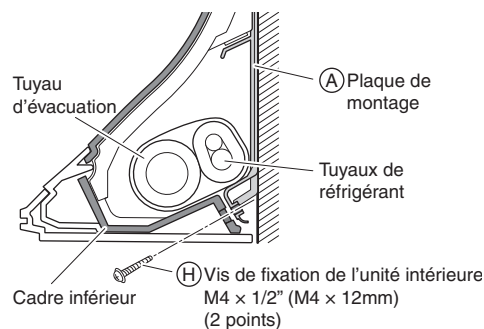
Comment mettre le bouchon d'évacuation



- 4) Façonnez les tuyaux de réfrigérant le long du tracé du tuyau sur la (A) plaque de montage.
- 5) Faites passer le tuyau d'évacuation et les tuyaux de réfrigérant à travers le trou dans le mur, puis positionnez l'unité intérieure sur les crochets de (A) plaque de montage, en utilisant les repères Δ au sommet de l'unité intérieure comme guide.
- 6) Connectez les tuyaux de réfrigérant.
- 7) Si vous tirez le tuyau d'évacuation par l'arrière de l'unité intérieure, enveloppez les tuyaux de réfrigérant et le tuyau d'évacuation avec du (K) ruban isolant comme le montre la figure de droite.



- 8) Appuyez sur le bord inférieur de l'unité intérieure avec les deux mains jusqu'à ce qu'il soit bien saisi par les crochets de (A) plaque de montage. Fixez l'unité intérieure à la (A) plaque de montage avec les (H) vis de fixation de l'unité intérieure M4 x 1/2" (M4 x 12mm).



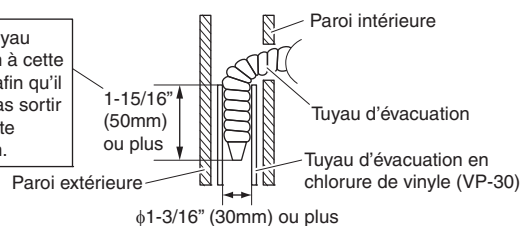
Installation de l'unité intérieure

3-3. Tuyauterie encastrée dans le mur

Suivez les instructions données sous la tuyauterie du côté arrière gauche.

- 1) Insérez le tuyau d'évacuation à cette profondeur afin qu'il ne puisse pas sortir de la conduite d'évacuation.

Insérez le tuyau d'évacuation à cette profondeur afin qu'il ne puisse pas sortir de la conduite d'évacuation.

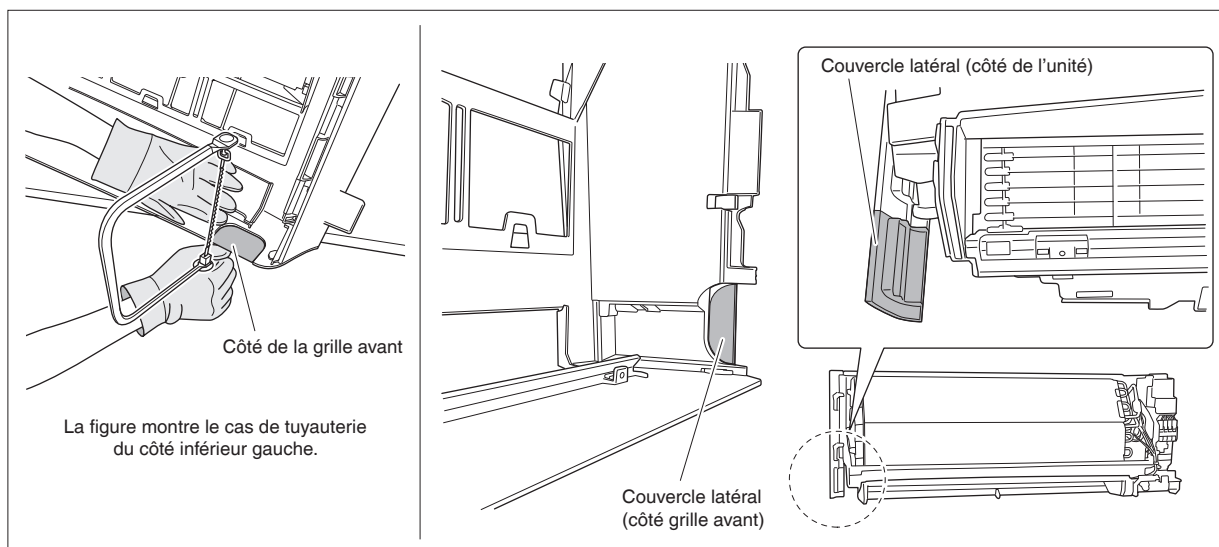


3-4. Tuyauterie du bas ou de gauche

- 1) Coupez le couvercle d'orifice de tuyau avec une scie à chantourner.

- Pour le raccordement de la tuyauterie du bas: Sur la partie inférieure de la grille avant
- Pour la tuyauterie sur le côté gauche: Sur le couvercle latéral (côté de la grille avant et côté de l'unité)

Appliquez la lame de la scie à chantourner à l'encoche, et coupez le couvercle d'orifice de tuyau le long de la surface intérieure inégale.

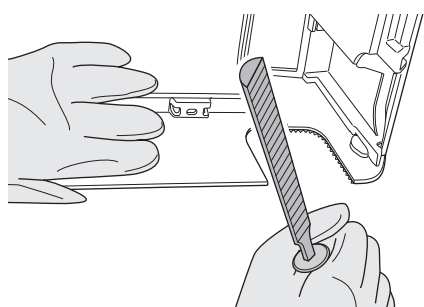


- 2) Après avoir coupé le couvercle d'orifice de tuyau, effectuez le remplissage.

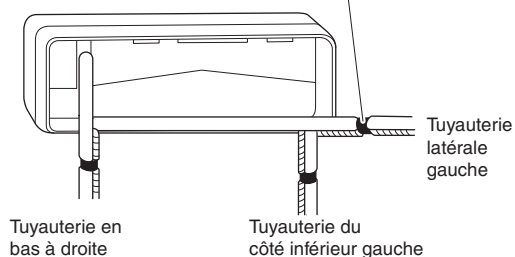
Retirez les bavures le long de la section de coupe à l'aide d'une lime aiguille demi-ronde.

- 3) Enveloppez les tuyaux de réfrigérant et le tuyau d'évacuation avec du ruban isolant.

Ensuite, insérez le tuyau d'évacuation et les tuyaux de réfrigérant dans le trou du mur après les avoir insérés dans le trou de la tuyauterie découpée.



Attachez le tuyau de réfrigérant et le tuyau d'évacuation ensemble avec du ruban adhésif en vinyle.



REMARQUE

- Veillez à ne pas laisser de fragments entrer dans la section d'entraînement du bras.
- Veillez à ne pas appliquer de pression sur le panneau avant inférieur.

4. Câblage

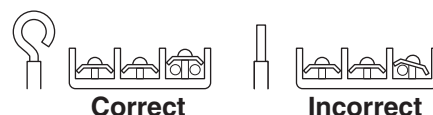
Reportez-vous au manuel d'installation de l'unité extérieure également.

⚠ AVERTISSEMENT

- N'utilisez pas de câbles taraudés, de câble de rallonge ni de connexions en étoile, car ils peuvent provoquer une surchauffe, une électrocution ou un incendie.
- N'utilisez pas de pièces électriques achetées localement dans le produit. (Ne branchez pas l'alimentation de la pompe d'évacuation, etc., à partir du bornier.) Cela pourrait provoquer une électrocution ou un incendie.
- Ne connectez pas le câble d'alimentation à l'unité intérieure. Cela pourrait provoquer une électrocution ou un incendie.

⚠ ATTENTION

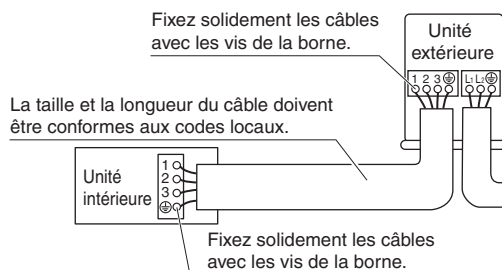
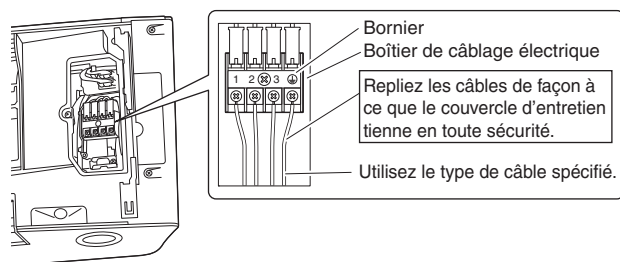
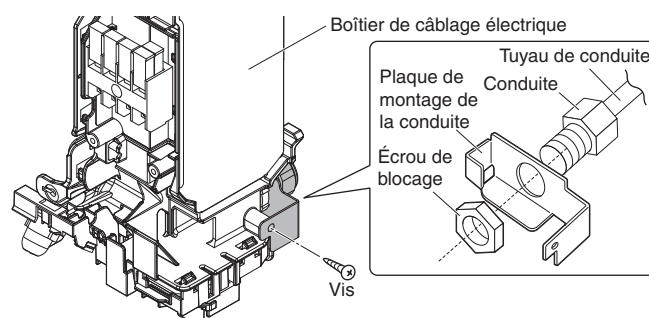
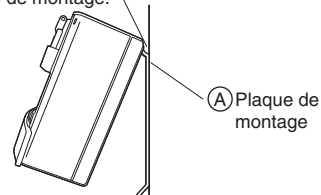
Lors de la connexion du câble de raccordement au bornier à l'aide d'un fil à cœur unique, assurez-vous d'effectuer un roulage.
Les problèmes avec l'installation peuvent causer chaleur et incendies.



Avec une unité intérieure multiple, installez comme décrit dans le manuel d'installation fourni avec l'unité extérieure multiple.

- 1) Retirez le panneau avant supérieur, puis retirez le couvercle d'entretien.
(Reportez-vous à la méthode d'ouverture à la page 4.)
- 2) Soulevez l'unité et placez-la sur les crochets de (A) plaque de montage.
- 3) Retirez la grille avant.
(Reportez-vous à la méthode de retrait de la page 11.)
- 4) Retirez la plaque de montage de la conduite puis fixez la conduite à la plaque de montage de la conduite avec l'écrou de blocage, comme le montre l'illustration.
- 5) Extrémités du câble de la bande (3/4 inch (20mm)).
- 6) Faites correspondre les couleurs de câbles avec les numéros des bornes sur les borniers de l'unité intérieure et extérieure et fixez solidement les câbles dans les bornes correspondantes avec les vis.
- 7) Connectez le fil de terre aux bornes correspondantes.
- 8) Tirez légèrement sur les fils pour vous assurer qu'ils sont correctement connectés.
- 9) En cas de connexion à un système d'adaptateur, faites passer le câble de la télécommande et fixez le S21.
(Voir "5. Lors de la connexion à un système HA" à la page 13.)
- 10) Fixez la plaque de montage de la conduite.
- 11) Repliez les câbles de façon à ce que le couvercle d'entretien tienne en toute sécurité.
- 12) Fixez la grille avant.
- 13) Fixez le couvercle d'entretien et le panneau avant supérieur.

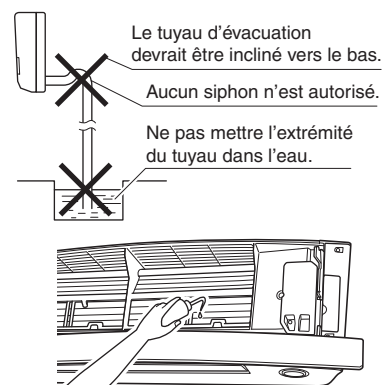
Accrochez l'unité intérieure sur les crochets de la plaque de montage.



Installation de l'unité intérieure

5. Tuyau d'évacuation

1) Connectez le tuyau d'évacuation comme décrit à droite.

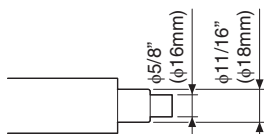


2) Retirez le panneau avant supérieur et les filtres à air. (Reportez-vous à la méthode de retrait de la page 11.)

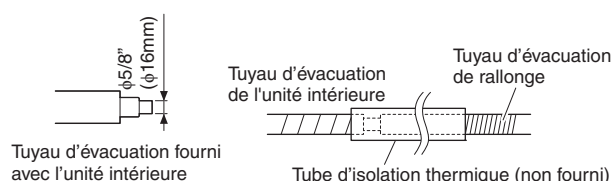
Versez un peu d'eau dans le bac d'évacuation pour vérifier que l'eau s'écoule facilement.

3) Si une rallonge de tuyau d'évacuation ou une tuyauterie d'évacuation intégrée est nécessaire, utilisez des pièces appropriées qui correspondent à l'extrémité avant du tuyau.

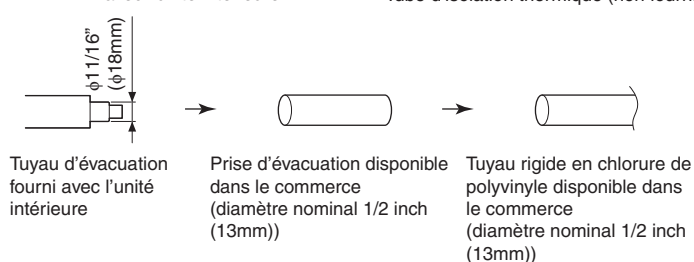
Figure du tuyau frontal



• Lorsque le tuyau d'évacuation nécessite une extension, obtenez une rallonge de tuyau d'un diamètre interne de 5/8 inch (16mm). Veillez à isoler thermiquement la section intérieure du tuyau d'extension.



• Lors de la connexion d'un tuyau rigide en chlorure de polyvinyle (diamètre nominal 1/2 inch (13mm)) directement au tuyau d'évacuation attaché à l'unité intérieure comme avec l'installation de la tuyauterie intégrée, utilisez une prise d'évacuation disponible dans le commerce (diamètre nominal 1/2 inch (13mm)) en tant que raccord.



Travaux de tuyauterie de réfrigérant

⚠ AVERTISSEMENT

- N'appliquez pas d'huile minérale sur la partie évasée.
- Évitez que l'huile minérale ne pénètre dans le système car cela réduirait la durée de service des unités.
- N'utilisez jamais de tuyaux ayant déjà été utilisés pour des installations antérieures. N'utilisez que les pièces livrées avec l'unité.
- Ne fixez jamais de déshumidificateur à cette unité R410A afin de garantir sa durée de service.
- Le matériel de déshumidification peut se dissoudre et endommager le système.
- Un évasement incomplet peut entraîner une fuite de gaz réfrigérant.

Avec une unité intérieure multiple, installez comme décrit dans le manuel d'installation fourni avec l'unité extérieure multiple.

1. Évasement de l'extrémité du tuyau

- 1) Coupez l'extrémité du tuyau avec un coupe-tuyau.
- 2) Enlevez les bavures de la surface de coupe vers le bas afin que les limailles ne pénètrent pas dans le tuyau.
- 3) Mettez l'écrou évasé sur le tuyau.
- 4) Évasez le tuyau.
- 5) Vérifiez que l'évasement a été réalisé correctement.

Coupez exactement à angle droit. Enlevez les bavures.

Évasez

Placez exactement à la position indiquée ci-dessous.

A	Outil à évaser pour R410A	Outil à évaser conventionnel	
	À prise	À prise (Type rigide)	À écrou à oreilles (Type impérial)
	0-0,020 inch (0-0,5mm)	0,039-0,059 inch (1,0-1,5mm)	0,059-0,079 inch (1,5-2,0mm)

Vérifiez

La surface intérieure de l'évasement doit être sans défaut.

L'extrémité du tuyau doit être évasée uniformément dans un cercle parfait.

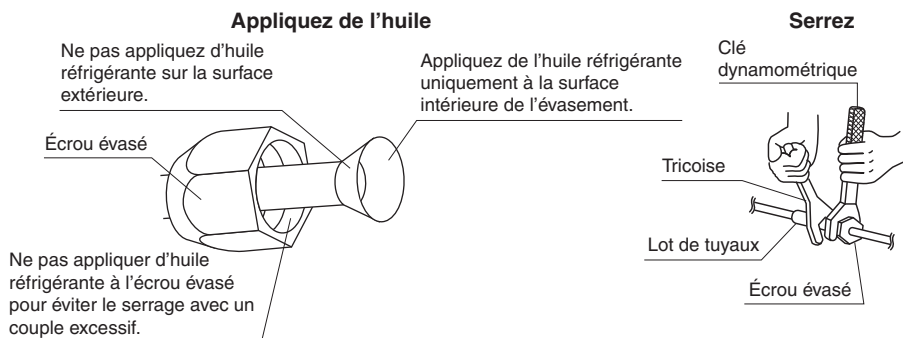
Assurez-vous que l'écrou évasé soit monté.

2. Tuyauterie de réfrigérant

⚠ ATTENTION

- Utilisez l'écrou évasé fixé à l'unité principale. (Pour éviter que l'écrou évasé ne se fissure suite à une détérioration au fil du temps.)
- Pour éviter les fuites de gaz, appliquez de l'huile réfrigérante uniquement sur la surface intérieure de l'évasement. (Utilisez de l'huile réfrigérante pour R410A.)
- Utilisez une clé dynamométrique pour serrer les écrous évasés afin d'éviter d'endommager les écrous évasés et de prévenir les fuites de gaz.

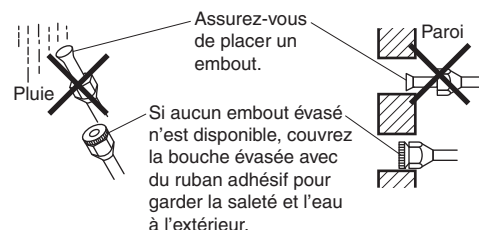
- Alignez les centres des deux évasements et serrez à la main les écrous évasés de 3 ou 4 tours, puis serrez les à fond avec une tricoise et une clé dynamométrique.



	Taille de la tuyauterie	Couple de serrage de l'écrou évasé
Côté gaz	D.E. 3/8 inch (9,5mm)	24-1/8-29-1/2ft • lbf (32,7-39,9N • m)
	D.E. 1/2 inch (12,7mm)	36-1/2-44-1/2ft • lbf (49,5-60,3N • m)
Côté liquide	D.E. 1/4 inch (6,4mm)	10-1/2-12-3/4ft • lbf (14,2-17,2N • m)

2-1. Attention à la manipulation de la tuyauterie

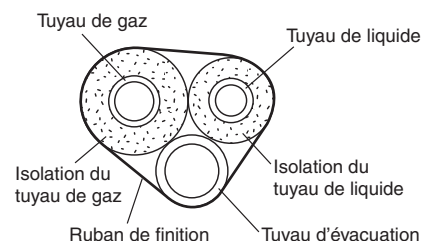
- Protégez l'extrémité ouverte du tuyau contre la poussière et l'humidité.
- Toutes les courbures de tuyau doivent être aussi légères que possible. Utilisez une cintreuse de tuyaux pour la courbure.



2-2. Sélection des matériaux d'isolation thermique et en cuivre

Lors de l'utilisation des tuyaux et des raccords en cuivre du commerce, respectez les consignes suivantes:

- Matériaux d'isolation: Mousse de polyéthylène
Taux d'échange thermique: de 0,041 à 0,052W/mK (de 0,024 à 0,030Btu/fth°F (de 0,035 à 0,045kcal/mh°C))
Assurez-vous d'utiliser de l'isolant conçu pour être utilisé avec les systèmes HVAC.
- Cuivre ACR uniquement.



- Veillez à isoler à la fois les tuyaux de gaz et de liquide, et à observer les dimensions d'isolation comme ci-dessous.

	Taille de la tuyauterie	Rayon de courbure minimum	Épaisseur de la tuyauterie	Taille de l'isolation thermique	Épaisseur de l'isolation thermique
Côté gaz	D.E. 3/8 inch (9,5mm)	1-3/16 inch (30mm) ou plus	0,031 inch (0,8mm) (C1220T-O)	D.I. 15/32-19/32 inch (12-15mm)	13/32 inch (10mm) Min.
	D.E. 1/2 inch (12,7mm)	1-9/16 inch (40mm) ou plus		D.I. 9/16-5/8 inch (14-16mm)	
Côté liquide	D.E. 1/4 inch (6,4mm)	1-3/16 inch (30mm) ou plus		D.I. 5/16-13/32 inch (8-10mm)	

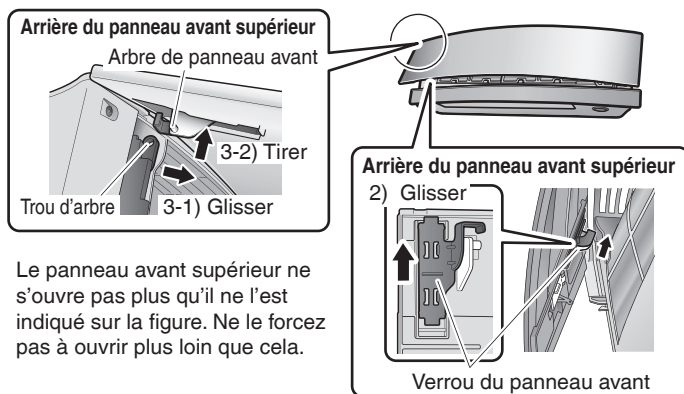
- Utilisez des tuyaux d'isolation thermique séparés pour les tuyaux de gaz et de liquide réfrigérant.

Conseils d'installation

1. Retrait et installation du panneau avant supérieur

• Méthode de retrait

- 1) Ouvrez le panneau avant supérieur.
- 2) Faites glisser les verrous du panneau avant à l'arrière du panneau avant vers le haut pour libérer les verrous (côtés gauche et droit).
- 3) Retirez les arbres du panneau des deux côtés des trous d'arbre, et démontez le panneau avant supérieur.



Le panneau avant supérieur ne s'ouvre pas plus qu'il ne l'est indiqué sur la figure. Ne le forcez pas à ouvrir plus loin que cela.

• Méthode d'installation

- 1) Faites glisser les verrous du panneau avant à l'arrière du panneau avant vers le haut pour libérer les verrous (côtés gauche et droit).
- 2) Insérez les arbres du panneau des deux côtés du panneau avant supérieur dans les trous d'arbre.
- 3) Faites glisser les verrous du panneau avant de chaque côté vers le bas pour les verrouiller.
- 4) Fermez lentement le panneau avant supérieur. (Voir Fig. 1)
- 5) Ne pas pousser sur le panneau pour le fermer. (Voir Fig. 2)
- 6) Allumez l'unité à l'aide de la télécommande. Attendez jusqu'à ce que les panneaux avant supérieur et inférieur soient complètement ouverts. Puis, éteignez l'unité de nouveau à l'aide de la télécommande. (Voir Fig. 3)
- 7) Une fois que les panneaux sont fermés complètement, poussez doucement le panneau avant supérieur afin de l'accrocher en position. (Voir Fig. 4)

⚠ ATTENTION

Ne pas essayer de pousser le panneau avant pour le fermer lorsque les panneaux avant inférieur et supérieur se chevauchent. Les pièces internes peuvent se briser. (Voir Fig. 5) Si le panneau avant doit être fermé à la main pour une raison quelconque (la télécommande ne fonctionne pas en raison d'un manque d'alimentation, etc.), suivez les instructions apposées sur l'unité intérieure.

Fig. 1

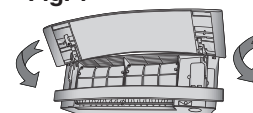


Fig. 2



Fig. 5

Chevauchement
(Vue latérale)

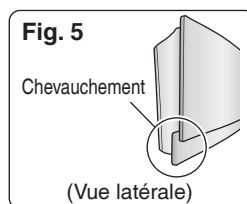
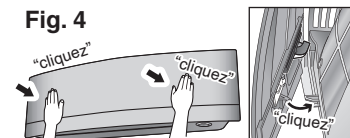


Fig. 3



Fig. 4



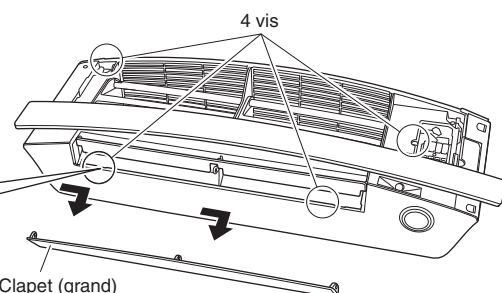
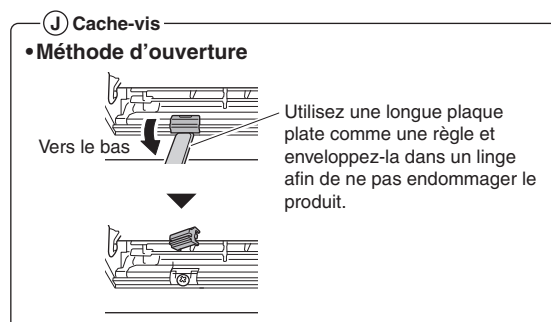
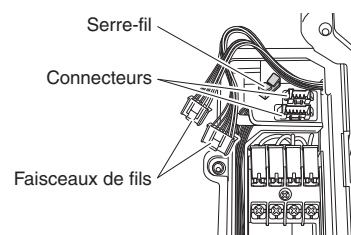
2. Retrait et installation de la grille avant

⚠ ATTENTION

Assurez-vous de porter des gants de protection.

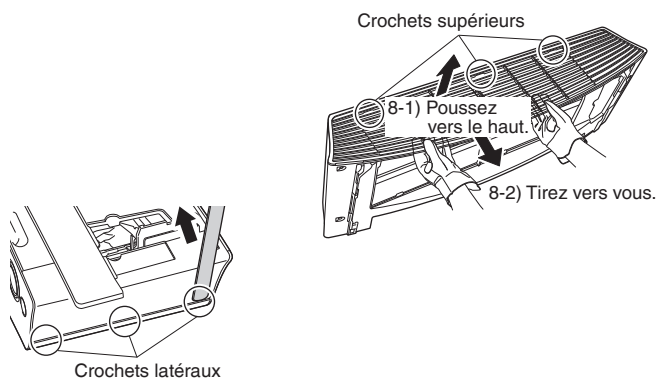
• Méthode de retrait

- 1) Retirez le panneau avant supérieur et les filtres à air.
- 2) Retirez le couvercle d'entretien. (Reportez-vous à la méthode d'ouverture à la page 4.)
- 3) Débranchez les faisceaux de fils du serre-fil, et retirez les faisceaux de fils des connecteurs.
- 4) Poussez le panneau avant inférieur jusqu'à ce qu'il s'arrête.
- 5) Démontez le clapet (grand).
- 6) Ouvrez les 2 cache-vis, et enlevez 4 vis de la grille avant. (Les cache-vis ne sont pas montés en usine.)



Retirez en poussant vers la droite tout en tournant légèrement

- 7) Portez des gants de protection et insérez vos deux mains sous la grille avant, comme indiqué sur la figure.
- 8) Retirez la grille avant des 3 crochets supérieurs en poussant la partie supérieure de la grille avant, tirez la grille avant vers vous en maintenant les deux extrémités de la grille avant, et démontez la grille avant.
 - Si la grille est difficile à retirer, insérez une longue plaque plate* à travers la fente dans le couvercle latéral comme indiqué sur la figure, et tournez la plaque vers l'intérieur pour dégager les crochets (3 crochets de chacun des côtés droit et gauche) de sorte que vous pouvez enlever la grille facilement.



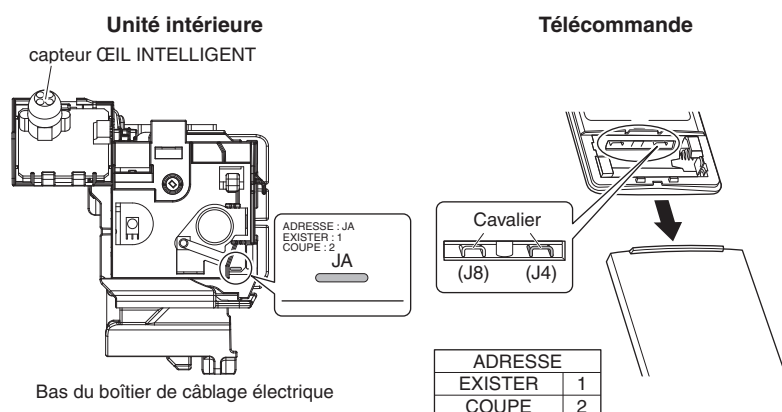
• Méthode d'installation

- 1) Installez la grille avant et engagez fermement les crochets supérieurs (3 emplacements), crochets des côtés droit et gauche (3 emplacements chacun).
- 2) Installez 4 vis de la grille avant, et fermez les 2 cache-vis.
- 3) Montez le clapet (grand).
- 4) Abaissez le panneau avant inférieur à la position initiale.
- 5) Fixez les faisceaux de fils aux 2 connecteurs et fixez les faisceaux de fils avec le serre-fil.
- 6) Installez les filtres à air, puis montez le panneau avant supérieur.

3. Comment définir les différentes adresses

Lorsque 2 unités intérieures sont installées dans une seule pièce, les 2 télécommandes sans fil peuvent être configurées pour des adresses différentes. Modifiez le réglage de l'adresse de l'une des deux unités. Lors de la coupe du cavalier, veillez à ne pas endommager les pièces environnantes.

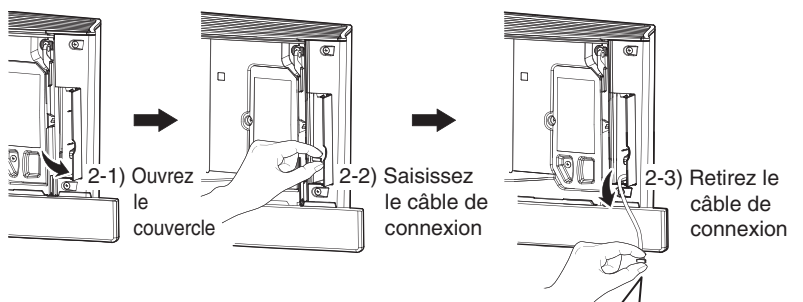
- 1) Retirez le panneau avant supérieur et la grille avant. (Reportez-vous à la méthode de retrait de la page 11.)
- 2) Coupez le cavalier d'adresse (JA) sur la carte de circuits imprimés.
- 3) Coupez le cavalier d'adresse (J4) dans la télécommande.
 - Veillez à ne pas couper le cavalier (J8).



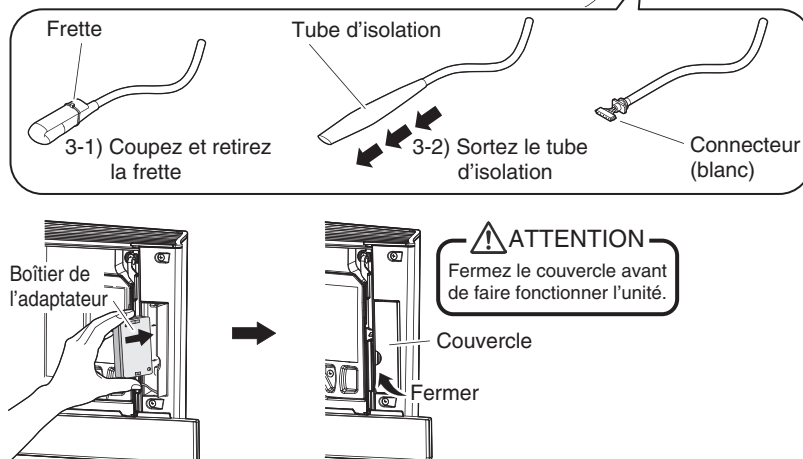
4. Lors de la connexion d'un adaptateur de connexion LAN sans fil

• Méthode de connexion

- 1) Retirez le panneau avant supérieur. (Reportez-vous à la méthode de retrait de la page 11.)
- 2) Ouvrez le couvercle, saisissez le câble de connexion avec vos doigts et retirez-le.
- 3) Retirez la frette et sortez le tube d'isolation du câble de connexion.



- 4) Connectez l'adaptateur de connexion LAN sans fil. (Pour plus de détails sur les procédures de connexion, reportez-vous au manuel d'installation de l'adaptateur de connexion LAN sans fil.)
- 5) Placez le boîtier de l'adaptateur dans l'unité intérieure et fermez le couvercle.
- 6) Installez le panneau avant supérieur. (Reportez-vous à la méthode d'installation de la page 11.)

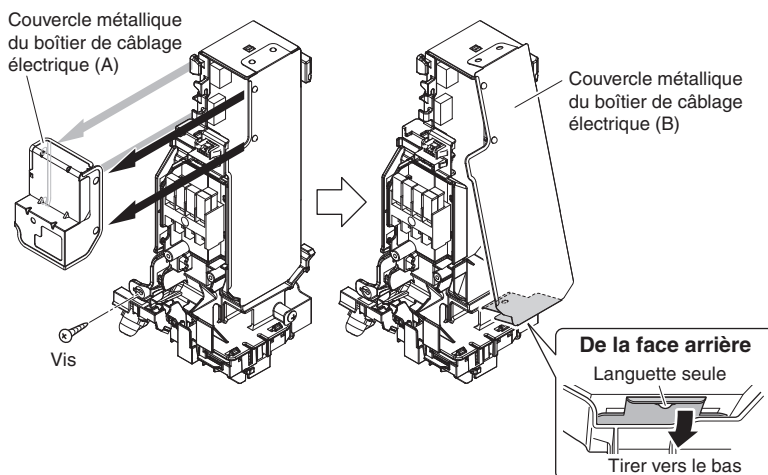


Conseils d'installation

5. Lors de la connexion à un système HA (télécommande filaire, télécommande centrale etc.)

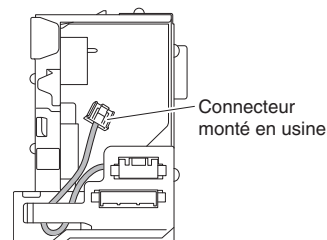
• Méthodes de retrait pour les couvercles métalliques des boîtiers de câblage électrique

- 1) Retirez le panneau avant supérieur et la grille avant. (Reportez-vous à la méthode de retrait de la page 11.)
- 2) Retirez le boîtier de câblage électrique. (1 vis)
- 3) Retirez les 4 languettes et démontez le couvercle métallique du boîtier de câblage électrique (A).
- 4) Tirez le crochet vers le bas sur le couvercle métallique du boîtier de câblage électrique (B), et retirez une seule languette.
- 5) Retirez les 2 languettes de la partie supérieure et démontez le couvercle métallique du boîtier de câblage électrique (B).

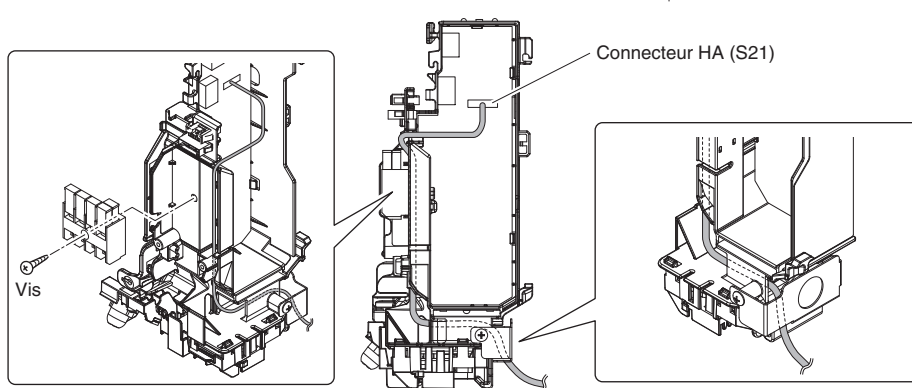


• Méthodes de fixation du câble de connexion

- 1) Retirez le connecteur monté en usine de S21.
- 2) Attachez les faisceaux de fils dans un paquet comme indiqué sur la figure afin que le connecteur retiré n'interfère pas avec la carte de circuits imprimés.

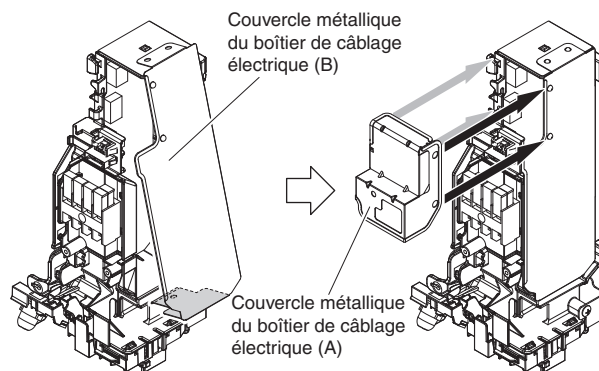


- 3) Branchez le câble de connexion au connecteur S21 et tirez le faisceau à travers la partie entaillée dans la figure.



• Méthodes de fixation pour les couvercles métalliques des boîtiers de câblage électrique

- 1) Accrochez la partie supérieure du couvercle métallique du boîtier de câblage électrique (B) sur les 2 languettes.
- 2) Appuyez sur le crochet du fond pour attraper une seule languette, et montez le couvercle métallique du boîtier de câblage électrique (B).
- 3) Insérez le connecteur dans le trou, accrochez et montez le couvercle métallique du boîtier de câblage électrique (A) sur les 4 languettes.
- 4) Installez le boîtier de câblage électrique. (1 vis)
- 5) Installez le panneau avant supérieur et la grille avant. (Reportez-vous à la méthode d'installation de la page 11.)






Fonctionnement d'essai et test

1. Fonctionnement d'essai et test


- Le fonctionnement d'essai doit être effectué pour les deux fonctionnements REFROIDISSEMENT ou CHAUFFAGE.
- 1-1. Mesurez la tension d'alimentation et assurez-vous qu'elle se trouve dans la plage spécifiée.**
- 1-2. En fonctionnement REFROIDISSEMENT, sélectionnez la température programmable la plus basse; en fonctionnement CHAUFFAGE, sélectionnez la température programmable la plus élevée.**
- 1-3. Effectuez le fonctionnement d'essai en suivant les instructions dans le manuel d'utilisation afin d'assurer que toutes les fonctions et les pièces, telles que le mouvement des aérateurs, fonctionnent correctement.**
 - Pour protéger le climatiseur, le système désactive le redémarrage pendant 3 minutes après la mise hors tension.
- 1-4. Une fois le fonctionnement d'essai terminé, réglez la température à un niveau normal (de 78 °F à 82 °F (de 26 °C à 28 °C) en fonctionnement REFROIDISSEMENT, de 68 °F à 75 °F (20 °C à 24 °C) en fonctionnement CHAUFFAGE).**
- Lors de l'utilisation du climatiseur en fonctionnement REFROIDISSEMENT en hiver, ou en fonctionnement CHAUFFAGE en été, réglez-le sur le mode de fonctionnement d'essai selon la méthode suivante.

1) Appuyez sur  pour activer le système.

2) Appuyez sur  et  en même temps.


3) Appuyez sur , sélectionnez “” , et appuyez sur  pour confirmer.

- Le fonctionnement d'essai s'arrête automatiquement après environ 30 minutes.

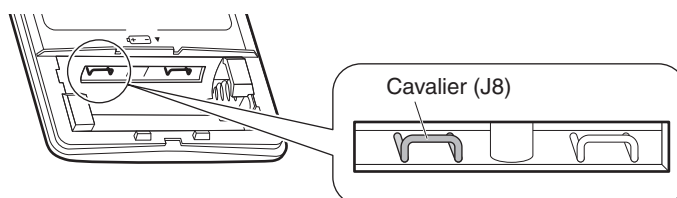
Pour arrêter le fonctionnement, appuyez sur .

- Certaines des fonctions ne peuvent pas être utilisées dans le mode de fonctionnement d'essai.
- Le climatiseur consomme une petite quantité d'énergie en mode veille. Si le système ne doit pas être utilisé pendant un certain temps après l'installation, coupez le disjoncteur pour éliminer la consommation d'énergie inutile.
- Si le disjoncteur se déclenche pour couper l'alimentation du climatiseur, le système restaure le mode de fonctionnement d'origine lorsque le disjoncteur est à nouveau ouvert.

2. Éléments testés

Éléments testés	Symptôme	Vérifiez
Les unités intérieures et extérieures sont installées en toute sécurité.	Chute, vibration, bruit	
Aucune fuite de gaz réfrigérant.	Fonction refroidissement/ chauffage incomplète	
Le gaz réfrigérant, les tuyaux de liquide et l'extension du tuyau d'évacuation sont calorifugés.	Fuite d'eau	
La ligne d'évacuation est correctement installée.	Fuite d'eau	
Le système est correctement mis à la terre.	Fuite électrique	
Seuls les câbles spécifiés sont utilisés pour le câblage, et tous les câbles sont correctement connectés.	Aucune dommage de fonctionnement ou de brûlures	
Les entrée et sortie d'air de l'unité intérieure ou extérieure ne sont pas obstruées.	Fonction refroidissement/ chauffage incomplète	
Les clapets d'arrêt sont ouverts.	Fonction refroidissement/ chauffage incomplète	
L'unité intérieure reçoit correctement les commandes de la télécommande.	Aucun fonctionnement	
 sera affiché lorsque le bouton MODE est enfoncé.*	Pas de chauffage	
Les tuyaux et les câbles sont connectés aux borniers correspondants/ports de connexion de l'unité connectée.	Pas de refroidissement/ chauffage	

* Vérifiez que le cavalier (J8) n'a pas été coupé. S'il a été coupé, contactez votre revendeur.



Contenidos

Consideraciones de seguridad	1	Trabajos de tubería refrigerante	9
Accesorios	3	1. Abocinamiento del extremo de tubo	9
Selección del sitio de instalación	3	2. Tubería refrigerante	10
1. Unidad interior	3	Consejos de instalación	11
2. Control remoto inalámbrico	3	1. Extracción e instalación del panel frontal superior.....	11
Diagrama de instalación de la unidad interior ...	4	2. Extracción e instalación de la rejilla delantera	11
Instalación de la unidad interior	5	3. Cómo ajustar distintas direcciones	12
1. Instalación de la placa de montaje.....	5	4. Al conectar un adaptador de conexión LAN inalámbrica.....	12
2. Perforación de un orificio en la pared e instalación del tubo empotrado en la pared	5	5. Al conectarse a un sistema HA.....	13
3. Instalación de la unidad interior	5	Operación de ensayo y prueba	14
4. Cableado.....	8	1. Operación de ensayo y prueba.....	14
5. Tubería de drenaje.....	9	2. Elementos de prueba.....	14


Consideraciones de seguridad


Lea cuidadosamente estas **Consideraciones de seguridad para la Instalación** antes de instalar un aire acondicionado o bomba de calor. Después de completar la instalación, asegúrese de que la unidad funciona correctamente durante la operación de puesta en marcha.


Instruya al usuario sobre cómo operar y mantener la unidad. Informe a los usuarios que deben almacenar este manual de instalación con el manual de operación para futuras referencias. Siempre use un instalador o contratista con licencia para instalar este producto.


La instalación incorrecta puede ocasionar fugas de agua o refrigerante, descargas eléctricas, incendios o explosiones.


Significado de los símbolos de **PELIGRO**, **ADVERTENCIA**, **PRECAUCIÓN** y **NOTA**:

 **PELIGRO**Indica una situación inminentemente peligrosa que, de no evitarse, causará lesiones graves o la muerte.

 **ADVERTENCIA**Indica una situación potencialmente peligrosa, que de no evitarse, causará lesiones graves o la muerte.

 **PRECAUCIÓN** Indica una situación potencialmente peligrosa que, de no evitarse, causará lesiones menores o moderadas. Podría usarse también para alertar sobre las prácticas no seguras.

 **NOTA** Indica situaciones que podrían ocasionar daños al equipo o a la propiedad.

 **PELIGRO**

- El gas refrigerante es más pesado que el aire y sustituye al oxígeno. Una fuga masiva podría causar la desaparición del oxígeno, especialmente en sótanos, y podría causar riesgos de asfixia resultantes en lesiones graves o la muerte.
- No conecte las unidades a tierra en tuberías de agua, tubos de gas, cables telefónicos o pararrayos, ya que una toma a tierra incorrecta puede generar un peligro de descarga eléctrica severa que puede ocasionar lesiones serias o la muerte. Adicionalmente, la conexión a tierra a los tubos de gas podría ocasionar una fuga de gas y explosiones potenciales lo que podría ocasionar una lesión severa o la muerte.

- Si se producen fugas de gas refrigerante durante la instalación, ventile la zona inmediatamente. El gas refrigerante podría producir gases tóxicos al entrar en contacto con fuego. La exposición a dichos gases puede causar lesiones graves o la muerte.

- Una vez finalizada la tarea de instalación, compruebe que no haya fugas de gas refrigerante al sistema.

- No instale la unidad en una zona en la que haya presente material inflamable, ya que podrían suponer un riesgo de explosión y causar lesiones graves o la muerte.

- Deseche de forma segura todo el material de embalaje y de transporte en conformidad con las leyes u ordenanzas federales, estatales o locales. El material de embalaje como los clavos así como otras piezas de metal o madera, incluido el material de embalaje de plástico usado para el transporte podría ocasionar lesiones o la muerte por sofocación.

 **ADVERTENCIA**

- Solamente el personal cualificado debe realizar el trabajo de instalación. La instalación se debe realizar en conformidad con este manual de instalación. La instalación incorrecta puede causar fugas de agua, descargas eléctricas o incendios.
- Al instalar la unidad en habitaciones pequeñas, tome medidas para mantener la concentración de refrigerante dentro de los límites de seguridad permisibles. Las fugas excesivas de refrigerante, en caso de un accidente en un espacio ambiental cerrado, pueden ocasionar la deficiencia de oxígeno.
- Use solamente los accesorios y piezas especificados para el trabajo de instalación. Si no usa las piezas especificadas podrían presentarse fugas de agua, descarga eléctrica, incendios o caída de la unidad.
- Instale el aire acondicionado o la bomba de calor sobre una base lo suficientemente fuerte que pueda soportar el peso de la unidad. Una base que no tenga la fuerza suficiente puede ocasionar que se caiga la unidad y lesiones.
- Tome en cuenta la intensidad del viento, tifones o terremotos cuando instale la unidad. Una instalación incorrecta puede causar que se caiga la unidad y ocasionar accidentes.

- Asegúrese de separar el circuito de suministro de alimentación proporcionado para esta unidad y que todo el trabajo sea realizado por personal calificado en conformidad con las regulaciones locales, estatales y nacionales. La capacidad de suministro de alimentación insuficiente o una construcción eléctrica incorrecta puede causar descargas eléctricas o incendios.
 - Asegúrese de que todo el cableado esté asegurado, que se usen los cables especificados y que las fuerzas externas no actúen en las conexiones o cables del terminal. Las conexiones o instalaciones incorrectas pueden ocasionar incendios.
 - Al realizar la conexión, posicione los cables de manera que la cubierta de la caja de cableado eléctrico pueda sujetarse de forma segura. El posicionamiento incorrecto de la cubierta de la caja de cableado eléctrico puede ocasionar descargas eléctricas, incendios o sobrecalentamiento de los terminales.
 - Antes de tocar las piezas eléctricas, apague la unidad.
 - El circuito debe estar protegido con dispositivos de seguridad de acuerdo a lo dispuesto en los códigos locales y nacionales, o sea, con un disyuntor.
 - Sujete de forma segura la cubierta de terminales de la unidad exterior (panel). Si la cubierta de terminales/panel no se instala correctamente, el polvo o el agua podrían ingresar a la unidad exterior y ocasionar un incendio o descargas eléctricas.
 - Al instalar o reubicar el sistema, mantenga el circuito refrigerante libre de sustancias distintas al refrigerante especificado (R410A), como por ejemplo aire. La presencia de aire o de cualquier otra materia extraña en el circuito del refrigerante causaría un aumento anormal de la presión o una ruptura y lesiones.
 - No cambie la configuración de los dispositivos de protección. Si el interruptor de presión, el interruptor térmico u otro dispositivo de protección tienen un cortocircuito y se operan forzosamente, o si se usan otras piezas no genuinas de Daikin, puede ocurrir un incendio o explosiones.
- (b) Hermético -- El R410A no contiene cloro, no destruye la capa de ozono y no reduce la protección ambiental contra la radiación ultravioleta peligrosa. El R410A puede contribuir al efecto invernadero si se libera. Por lo tanto tome las medidas apropiadas para comprobar la hermeticidad de la instalación de la tubería refrigerante. Lea el capítulo *Trabajos de tubería refrigerante* y siga los procedimientos.
- Debido a que el R410A es una mezcla, el refrigerante adicional requerido debe cargarse en su estado líquido. Si se carga el refrigerante en estado gaseoso, su composición puede cambiar y el sistema no funcionará correctamente.
 - La unidad interior es para R410A. Consulte el catálogo para los modelos de uso interno que se pueden conectar. El funcionamiento normal no es posible cuando se conecta a otras unidades.
 - La distancia de transmisión del control remoto (kit inalámbrico) puede ser menor a la esperada en habitaciones con lámparas fluorescentes electrónicas (tipo inversor o de inicio rápido). Instale la unidad interior alejada de lámparas fluorescentes tanto como sea posible.
 - Las unidades interiores solamente son para instalaciones interiores. Las unidades exteriores se pueden instalar ya sea en exteriores o interiores.
 - No instale el aire acondicionado o la bomba de calor en los siguientes lugares:
 - (a) Lugares donde se produzca niebla, rocío o vapor de aceite mineral, por ejemplo, en una cocina. Las piezas de plástico pueden deteriorarse y caerse u ocasionar fugas de agua.
 - (b) Lugares donde se produzca gas corrosivo, como el gas de ácido sulfúrico. La corrosión de los tubos de cobre o piezas soldadas pueden ocasionar fugas de refrigerante.
 - (c) Cerca de maquinaria que emita ondas electromagnéticas. Las ondas electromagnéticas pueden afectar el funcionamiento del sistema de control y ocasionar que la unidad funcione incorrectamente.
 - (d) Lugares donde se pueda fugar gas inflamable, donde exista fibra de carbono o polvo inflamable suspendido en el aire, o donde se manipulen sustancias inflamables volátiles como el disolvente o la gasolina. Operar la unidad en dichas condiciones puede ocasionar incendios.
 - Tome las medidas adecuadas para evitar que se use la unidad exterior como refugio de animales pequeños. Los animales pequeños que hagan contacto con las piezas eléctricas pueden ocasionar un funcionamiento incorrecto, humo o incendios. Pida al usuario que mantenga limpia el área alrededor de la unidad.

PRECAUCIÓN

- No toque el interruptor con los dedos mojados. Tocar un interruptor con los dedos mojados puede ocasionar una descarga eléctrica.
- No permita que los niños jueguen cerca o alrededor de la unidad para evitar lesiones.
- Las aletas del intercambiador de calor están afiladas lo suficiente para que corten. Para evitar lesiones use guantes o cubra las aletas mientras trabaja alrededor.
- No toque la tubería refrigerante durante y justo después del funcionamiento ya que la tubería refrigerante podría estar caliente o fría, dependiendo de las condiciones del refrigerante que fluye a través de la tubería refrigerante, compresor y otras piezas del ciclo de refrigeración. Sus manos podrían sufrir quemaduras o congelación si toca las tuberías refrigerantes. Para evitar lesiones, permita que los tubos adquieran su temperatura normal o, si los tiene que tocar, asegúrese de usar los guantes adecuados.
- Instale el tubo de drenaje para garantizar un desagüe adecuado. El tubo de drenaje incorrecto puede ocasionar fugas de agua y daños a la propiedad.
- Aísle la tubería para evitar la formación de condensación.
- Tenga cuidado al transportar el producto.
- No apague la alimentación inmediatamente después de detener el funcionamiento. Siempre espere al menos 5 minutos antes de apagar la alimentación. De lo contrario, pueden ocurrir fugas de agua.
- No use un cilindro de carga. Usar un cilindro de carga puede ocasionar que el refrigerante se deteriore.
- El refrigerante R410A en el sistema debe mantenerse limpio, seco y hermético.

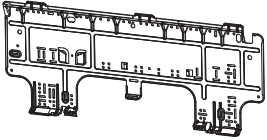

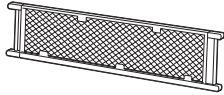
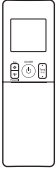
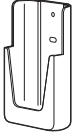

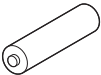

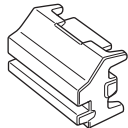

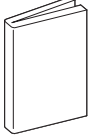
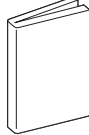
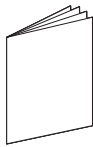
(a) Limpiar y secar -- Debe evitarse que la materia extraña (incluidos aceites minerales como el aceite SUNISO o la humedad) ingrese al sistema.

NOTA

- La unidad interior debe estar colocada donde se encuentran la unidad y los cables interiores de la unidad (exterior a interior) al menos a 3.3ft (1m) de distancia de televisores o radios. (La unidad puede causar interferencia con la imagen o el sonido). Dependiendo de las ondas de radio, una distancia de 3.3ft (1m) podría no ser suficiente para eliminar el ruido.
- El desmontaje de la unidad, el tratamiento del refrigerante, el aceite y las piezas adicionales deben realizarse en conformidad con las regulaciones locales, estatales y nacionales.
- No use las siguientes herramientas que se usan con refrigerantes convencionales: manómetro múltiple, manguera de carga, detector de fugas de gas, válvula de retención de flujo invertido, base de carga de refrigerante, medidor de vacío o equipo de recuperación de refrigerante.
- Si se mezcla el refrigerante convencional y el aceite de refrigeración en el R410A, el refrigerante se puede deteriorar.
- Este aire acondicionado o la bomba de calor es un aparato que no debe estar accesible para el público en general.
- Debido a que la presión de diseño es de 604 psi, el espesor de la pared de los tubos instalados en campo deben ser seleccionados en conformidad con las regulaciones locales, estatales y nacionales relevantes.

FTN003-U

Accesorios

<p>(A) Placa de montaje</p>  <p>1</p>	<p>(B) Tornillo de fijación de la placa de montaje M4 x 1" (M4 x 25mm)</p>  <p>5</p>	<p>(C) Filtro desodorizante de apatito de titanio</p>  <p>2</p>
<p>(D) Control remoto inalámbrico</p>  <p>1</p>	<p>(E) Soporte del control remoto</p>  <p>1</p>	<p>(F) Tornillo de fijación de soporte de control remoto M3 x 13/16" (M3 x 20mm)</p>  <p>2</p>
<p>(G) Batería AAA seca. LR03 (alcalina)</p>  <p>2</p>	<p>(H) Tornillo de fijación de la unidad interior M4 x 1/2" (M4 x 12mm)</p>  <p>2</p>	<p>(J) Tapa de tornillo</p>  <p>2</p>
<p>(K) Cinta aislante</p>  <p>1</p>	<p>(L) Manual de operación</p>  <p>1</p>	<p>(M) Manual de instalación</p>  <p>1</p>
<p>(N) Garantía</p>  <p>1</p>		

Selección del sitio de instalación

Antes de seleccionar el sitio de instalación, solicite la aprobación del usuario.

1. Unidad interior

La unidad interior debe colocarse en un lugar en el que:

- 1) se cumplan las restricciones de los requisitos de instalación especificados en “**Diagrama de instalación de la unidad interior**” de la página 4,
- 2) tanto la entrada de aire como la salida del aire no estén obstruidas,
- 3) la unidad no esté expuesta a la luz directa del sol,
- 4) la unidad esté alejada de fuentes de calor o vapor,
- 5) no existan fuentes de vapor de aceite de máquina (esto podría acortar la vida de servicio de la unidad interior),
- 6) haya aire frío/templado circulando por la habitación,
- 7) la unidad esté alejada de lámparas fluorescentes de tipo ignición electrónica (de tipo inversor o arranque rápido) ya que podría afectar al rango de accionamiento del control remoto,
- 8) no deben haber equipos de lavado en las cercanías.

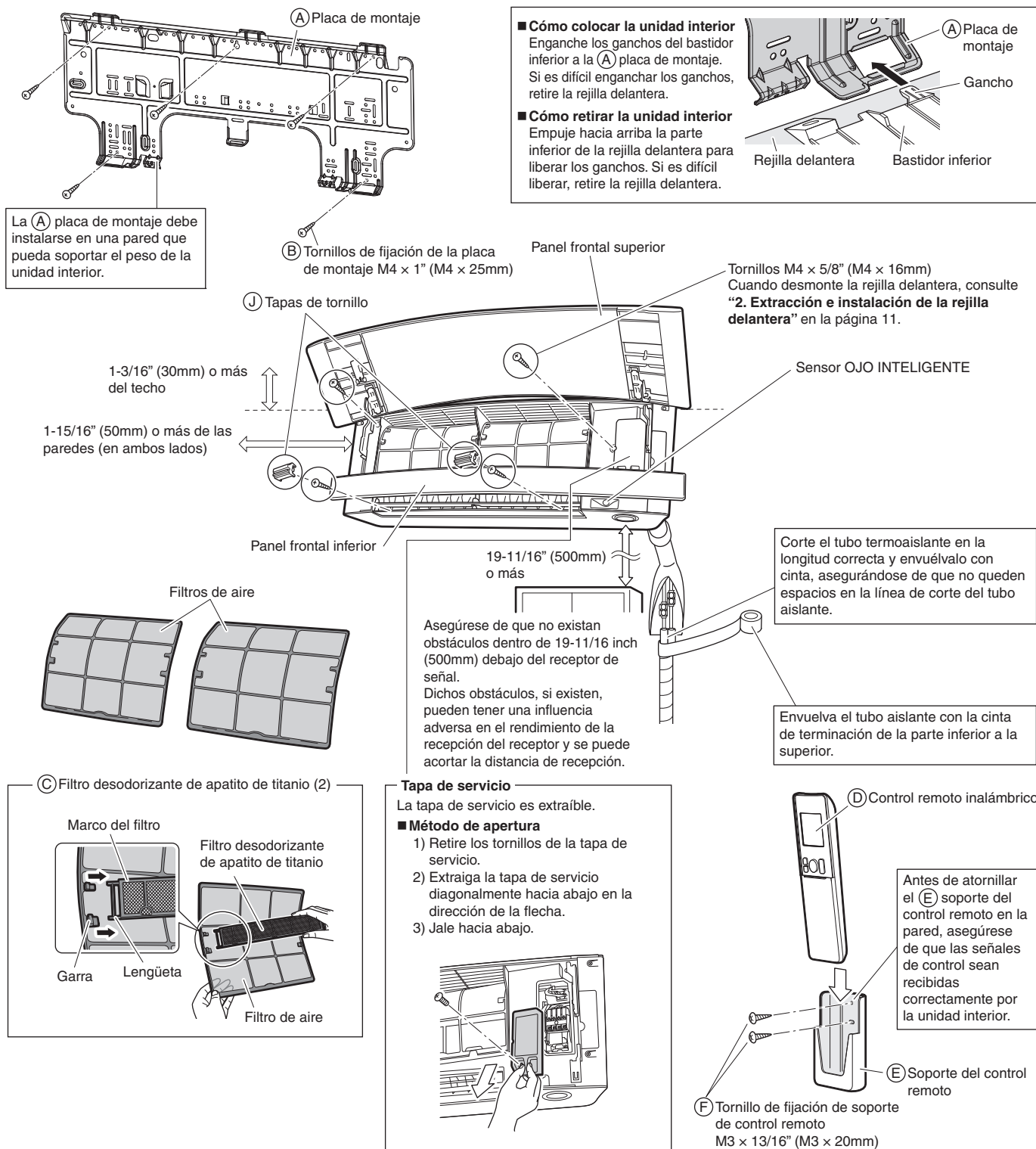
2. Control remoto inalámbrico

Encienda todas las lámparas fluorescentes de la habitación, si las hay, y encuentre una ubicación en la que las señales provenientes del control remoto sean recibidas correctamente por la unidad interior (dentro de 19-11/16ft (6m)).

Diagrama de instalación de la unidad interior

⚠ PRECAUCIÓN

- No golpee ni empuje violentamente el sensor OJO INTELIGENTE. Esto puede ocasionar daños y fallos de funcionamiento.
- No coloque objetos grandes cerca del sensor OJO INTELIGENTE. También mantenga las unidades de calefacción o los humidificadores fuera de la zona de detección del sensor.



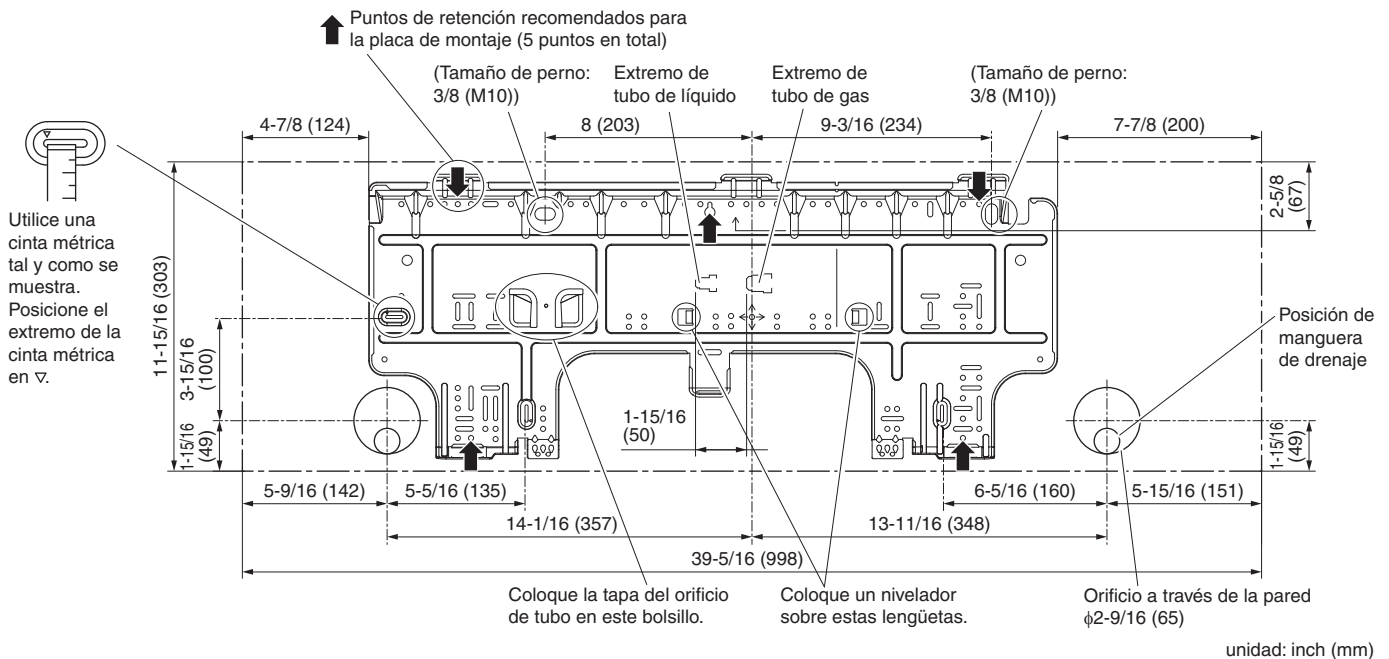
Instalación de la unidad interior

1. Instalación de la placa de montaje

La placa de montaje debe instalarse en una pared con la suficiente resistencia para soportar el peso de la unidad interior.

- 1) Fije temporalmente la placa de montaje en la pared, asegúrese de que la placa esté completamente nivelada y marque los puntos de perforación en la pared.
- 2) Asegure la placa de montaje en la pared con tornillos.

Puntos de retención y dimensiones de la placa de montaje recomendados

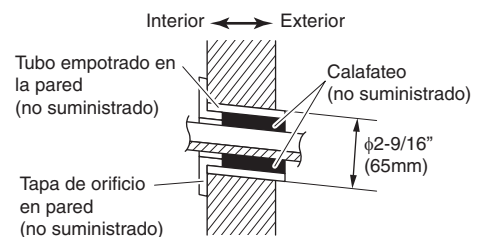


2. Perforación de un orificio en la pared e instalación del tubo empotrado en la pared

⚠ ADVERTENCIA

Para las paredes con bastidores o tabloneros metálicos, asegúrese de utilizar un tubo empotrado en la pared y una tapa de orificio en pared en el orificio de paso para evitar la posible aparición de calor, descargas eléctricas o incendios.

- Asegúrese de calafatear los huecos alrededor de los tubos con material de calafateo para evitar la condensación.
- 1) Perfore un orificio de paso con un diámetro de ϕ 2-9/16 inch (65mm) a través de la pared en ángulo descendente hacia el exterior.
 - 2) Introduzca un tubo empotrado en la pared en el orificio.
 - 3) Introduzca una tapa de orificio en pared en el tubo de la pared.
 - 4) Una vez completada la tubería del refrigerante, el cableado y la tubería de drenaje, calafatee el hueco del orificio del tubo con masilla.

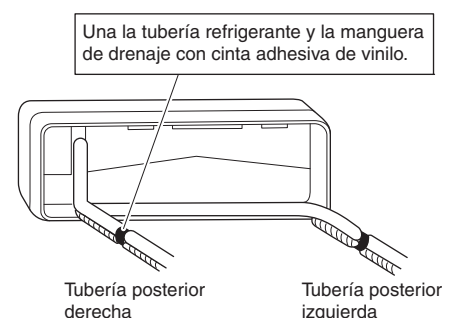


3. Instalación de la unidad interior

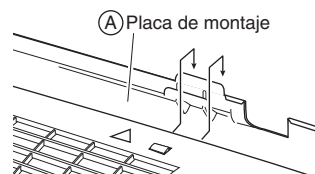
- El método de instalación recomendado es con la tubería posterior.
- **Al realizar la tubería inferior o la tubería del lado izquierdo, consulte "3-4. Tubería de la parte inferior o del lado izquierdo" en la página 7.**
- No se puede realizar la tubería del lado derecho.

3-1. Tubería posterior derecha

- 1) Instale la manguera de drenaje en la parte inferior de las tuberías refrigerantes con cinta de vinilo adhesiva.
- 2) Envuelva las tuberías refrigerantes y la manguera de drenaje conjuntamente con cinta aislante.



- 3) Pase la manguera de drenaje y las tuberías refrigerantes a través del orificio de la pared, enseguida posicione la unidad interior sobre los ganchos de (A) placa de montaje, usando las marcas Δ de la parte superior de la unidad interior como guía.



3-2. Tubería posterior izquierda

- 1) Sustituya el tapón de drenaje y la manguera de drenaje.

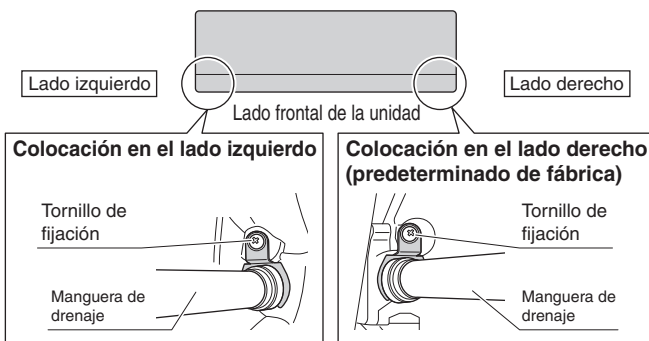
Cómo sustituir el tapón de drenaje y la manguera de drenaje

Sustitución hacia el lado izquierdo

- 1) Extraiga el tornillo de fijación en el lado derecho y extraiga la manguera de drenaje.
- 2) Extraiga el tapón de drenaje del lado izquierdo e instálelo en el lado derecho.
- 3) Introduzca la manguera de drenaje y apriete con el tornillo de fijación incluido. Si se olvida de apretarlo, podría causar fugas de agua.

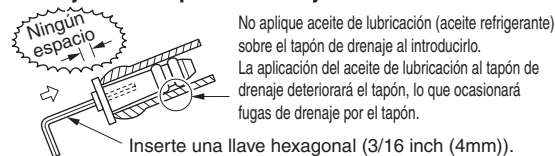
Posición de instalación de la manguera de drenaje

La manguera de drenaje se encuentra en la parte posterior de la unidad.

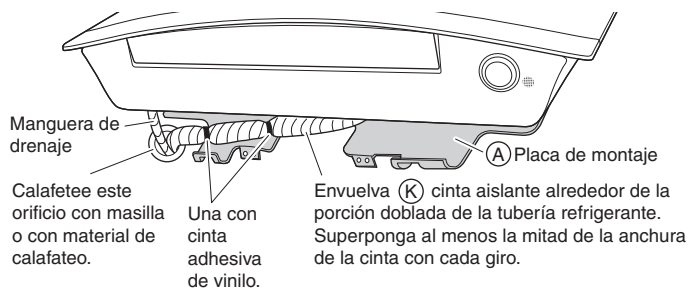


- 2) Instale la manguera de drenaje en la parte inferior de las tuberías refrigerantes con cinta de vinilo adhesiva.
- 3) Asegúrese de conectar el tapón de drenaje al orificio de drenaje en lugar de sin la manguera de drenaje.

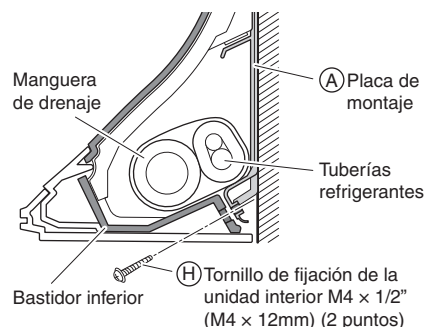
Cómo ajustar el tapón de drenaje



- 4) Acomode las tuberías refrigerantes a lo largo de las marcas de trayectoria de la tubería en la (A) placa de montaje.
- 5) Pase la manguera de drenaje y las tuberías refrigerantes a través del orificio de la pared, enseguida posicione la unidad interior sobre los ganchos de (A) placa de montaje, usando las marcas Δ de la parte superior de la unidad interior como guía.
- 6) Conecte las tuberías refrigerantes.
- 7) Si jala la manguera de drenaje a través de la parte trasera de la unidad interior, envuelva las tuberías refrigerantes y la manguera de drenaje conjuntamente con (K) cinta aislante tal y como se indica en la imagen derecha.



- 8) Presione el borde inferior de la unidad interior con ambas manos, hasta que quede firmemente fija con los ganchos de (A) placa de montaje. Asegure la unidad interior en la (A) placa de montaje con los (H) tornillos de fijación de la unidad interior M4 x 1/2" (M4 x 12mm).

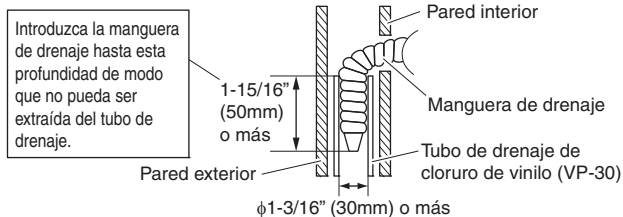


Instalación de la unidad interior

3-3. Tubería empotrada en la pared

Siga las instrucciones proporcionadas en la tubería posterior izquierda.

- 1) Introduzca la manguera de drenaje hasta esta profundidad de modo que no pueda ser extraída del tubo de drenaje.

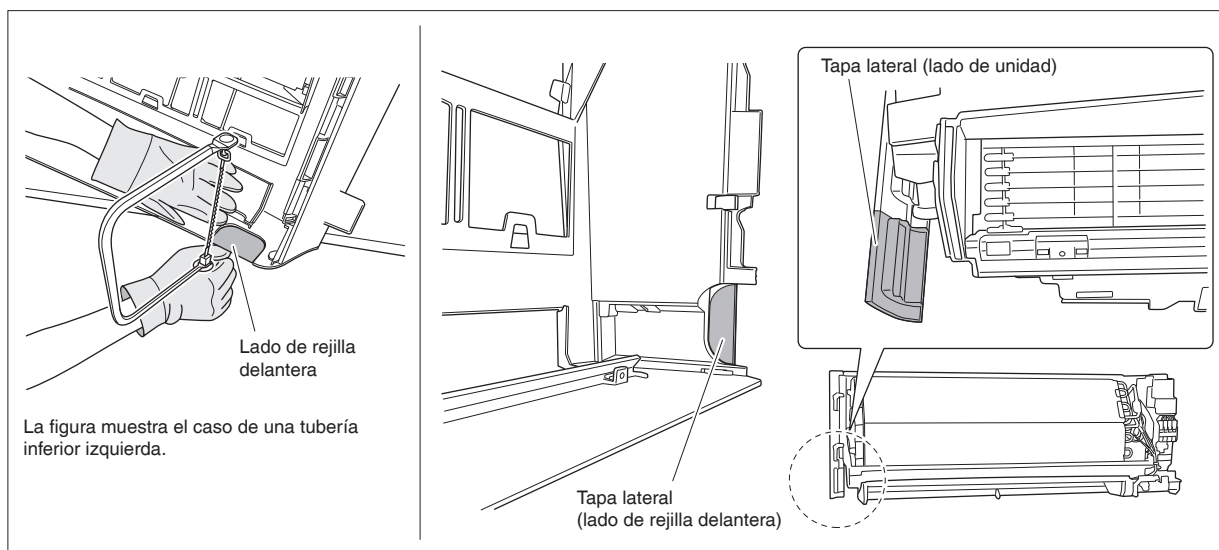


3-4. Tubería de la parte inferior o del lado izquierdo

- 1) Corte la tapa de orificio de tubo con una sigueta.

- **Para la tubería inferior:** En la parte inferior de la rejilla delantera
- **Para la tubería del lado izquierdo:** En la cubierta lateral (lado de la rejilla delantera y lado de la unidad)

Aplique la hoja de la sigueta en la muesca y corte la tapa de orificio de tubo a lo largo de la superficie interna no uniforme.

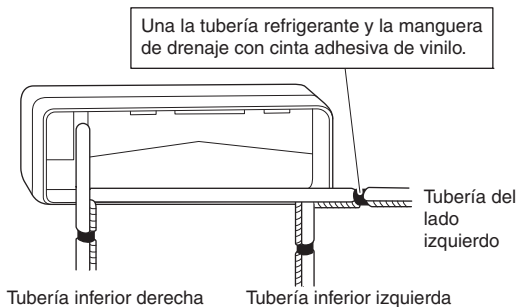
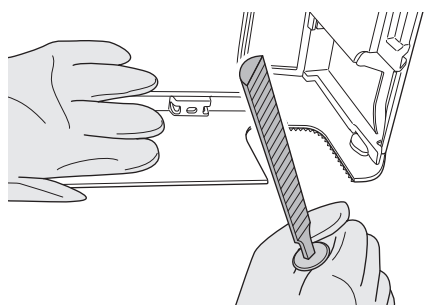


- 2) Después de cortar la tapa del orificio de tubo, realice la perforación.

Retire las rebabas a lo largo de la sección de corte usando una lija de aguja media redonda.

- 3) Envuelva las tuberías refrigerantes y la manguera de drenaje conjuntamente con cinta aislante.

A continuación, inserte la manguera de drenaje y las tuberías refrigerantes en el orificio de la pared, después de insertarlas en el orificio de tubería de corte abierto.



NOTA

- Tenga cuidado de no dejar que las virutas ingresen a la sección de desplazamiento del brazo.
- Tenga cuidado de no ejercer presión sobre el panel frontal inferior.

4. Cableado

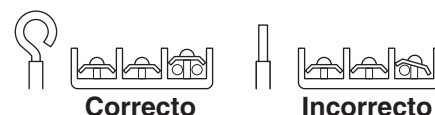
También consulte el manual de instalación para la unidad exterior.

⚠ ADVERTENCIA

- No use cables encintados, cables de extensión ni conexiones de estrella, ya que podrían causar sobrecalentamiento, descargas eléctricas o incendios.
- No use partes eléctricas compradas localmente en el interior del producto. (No ramifique la alimentación de la bomba de drenaje, etc., desde el bloque de terminales.) Hacerlo podría causar descargas eléctricas o un incendio.
- No conecte el cable de alimentación a la unidad interior. Hacerlo podría causar descargas eléctricas o un incendio.

⚠ PRECAUCIÓN

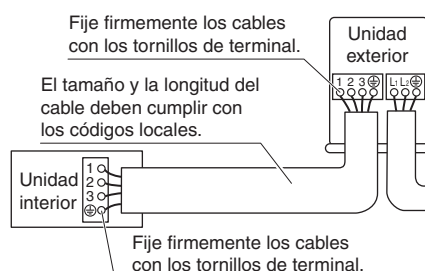
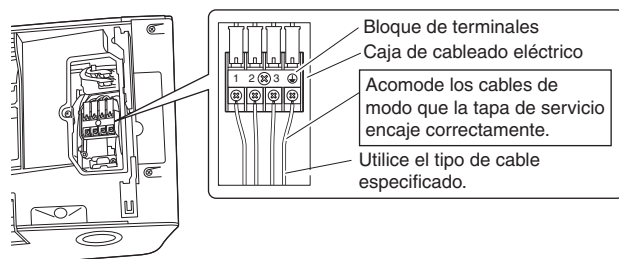
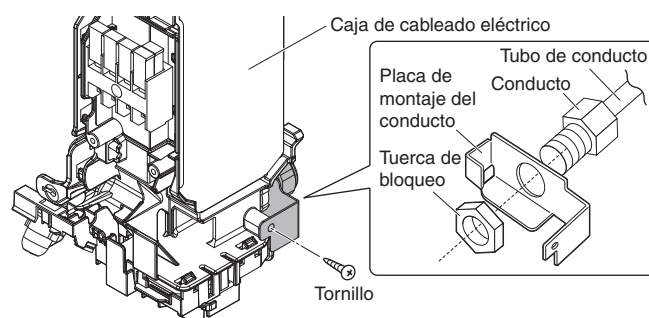
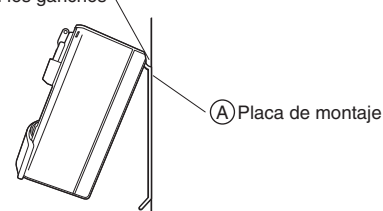
Cuando conecte el cable de conexión al bloque de terminales usando un cable de un solo núcleo, asegúrese de realizar la ondulación. Los problemas con la instalación pueden producir calor e incendios.



Con una unidad interior múltiple, realice la instalación según lo descrito en el manual de instalación suministrado con la unidad exterior múltiple.

- 1) Retire el panel frontal superior, enseguida quite la tapa de servicio.
(Consulte el método de apertura en la página 4).
- 2) Levante la unidad y colóquela en los ganchos de **(A)** placa de montaje.
- 3) Retire la rejilla delantera.
(Consulte el método de extracción en la página 11).
- 4) Retire la placa de montaje del conducto y enseguida asegure el conducto a su placa de montaje con la tuerca de bloqueo, como se muestra en la ilustración.
- 5) Corte los extremos del cable (3/4 inch (20mm)).
- 6) Haga coincidir los colores de los cables con los números de terminal en los bloques de terminales de la unidad interior y exterior, y asegure firmemente los cables en los terminales correspondientes usando los tornillos.
- 7) Conecte el cable de toma a tierra en los terminales correspondientes.
- 8) Jale ligeramente los cables para asegurarse de que están firmemente conectados.
- 9) En caso de conectarla a un sistema adaptador, tienda el cable del control remoto y conéctelo al S21.
(Consulte “5. Al conectarse a un sistema HA” en la página 13).
- 10) Fije la placa de montaje del conducto.
- 11) Acomode los cables de modo que la tapa de servicio encaje correctamente.
- 12) Fije la rejilla delantera.
- 13) Fije la tapa de servicio y el panel frontal superior.

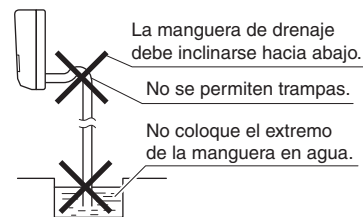
Cuelgue la unidad interior en los ganchos de la placa de montaje.



Instalación de la unidad interior

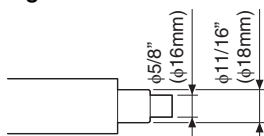
5. Tubería de drenaje

1) Conecte la manguera de drenaje tal y como se describe a la derecha.

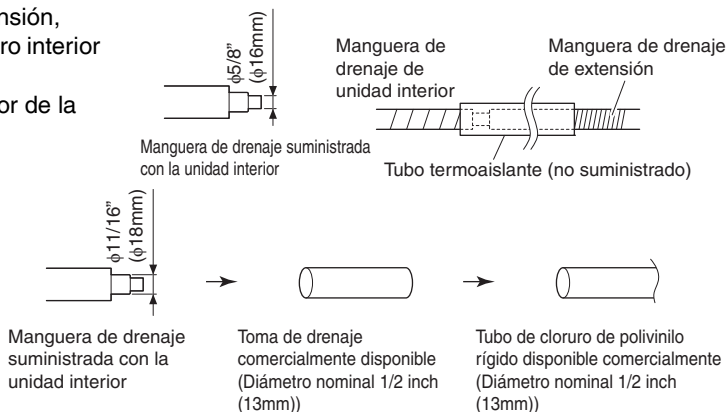


- 2) Retire el panel frontal superior y los filtros de aire. (Consulte el método de extracción en la página 11).
Vierta un poco de agua sobre el colector de drenaje para comprobar si el agua fluye sin problemas.
- 3) Si es necesario usar una extensión de manguera de drenaje o una tubería de drenaje empotrada, utilice las piezas adecuadas que coincidan con el extremo delantero de la manguera.

Figura del extremo delantero de la manguera



- Cuando la manguera de drenaje requiera una extensión, obtenga una manguera de extensión con un diámetro interior de 5/8 inch (16mm).
Asegúrese de aislar térmicamente la sección interior de la manguera de extensión.
- Cuando se conecta un tubo de cloruro de polivinilo rígido (diámetro nominal de 1/2 inch (13mm)) directamente a la manguera de drenaje conectada a la unidad interior, como con el trabajo de tubería empotrada, utilice cualquier toma de drenaje disponible comercialmente (diámetro nominal de 1/2 inch (13mm)) como junta.



Trabajos de tubería refrigerante

⚠ ADVERTENCIA

- No aplique aceite mineral en la parte abocinada.
- Evite que el aceite mineral penetre en el sistema, ya que reduciría la vida útil de servicio de las unidades.
- Nunca use tuberías que ya hayan sido usadas en otras instalaciones. Use únicamente las piezas suministradas con la unidad.
- Nunca instale un secador en esta unidad R410A para garantizar su vida útil de servicio.
- El material secante podría disolverse y dañar el sistema.
- Un abocinamiento incompleto podría causar fugas de gas refrigerante.

Con una unidad interior múltiple, realice la instalación según lo descrito en el manual de instalación suministrado con la unidad exterior múltiple.

1. Abocinamiento del extremo de tubo

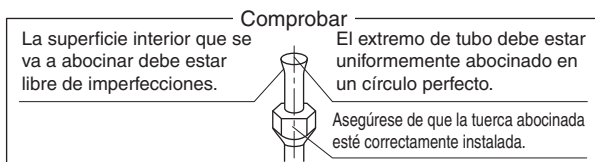
- 1) Corte el extremo del tubo con un cortatubos.
- 2) Retire las rebabas con la superficie de corte orientada hacia abajo de modo que las virutas no penetren en el interior del tubo.
- 3) Coloque la tuerca abocinada en el tubo.
- 4) Abocine el tubo.
- 5) Compruebe que el abocinamiento se haya realizado correctamente.



Abocinamiento

Ajuste exactamente en la posición que se muestra a continuación.

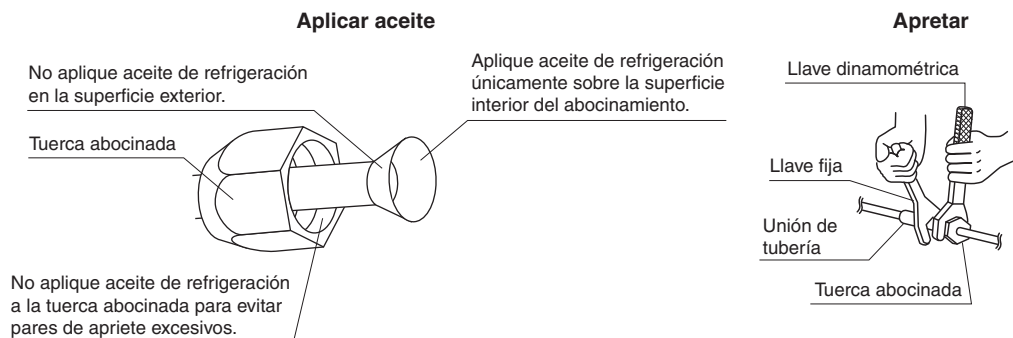
Troquel	Herramienta abocinada para R410A	Herramienta abocinada convencional	
	Tipo de embrague	Tipo de embrague (Tipo rígido)	Tipo de mariposa (tipo imperial)
A	0-0.020 inch (0-0.5mm)	0.039-0.059 inch (1.0-1.5mm)	0.059-0.079 inch (1.5-2.0mm)



2. Tubería refrigerante

⚠ PRECAUCIÓN

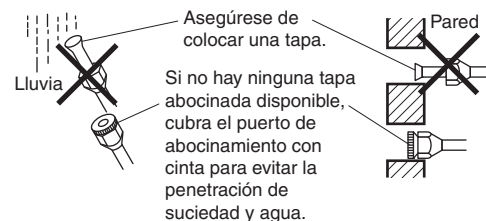
- Use la tuerca abocinada fijada a la unidad principal. (Con ello evitará el agrietamiento de la tuerca abocinada como resultado de su deterioro por el paso del tiempo).
 - Para evitar fugas de gas, aplique aceite de refrigeración únicamente sobre la superficie interior del abocinamiento. (Use aceite de refrigeración para R410A.)
 - Use una llave dinamométrica al apretar las tuercas abocinadas para evitar dañarlas y causar fugas de gas.
-
- Alinee los centros de ambos abocinamientos y apriete las tuercas abocinadas 3 o 4 vueltas con la mano, enseguida apriételas completamente con una llave fija y una llave dinamométrica.



	Tamaño de la tubería	Par de apriete de tuerca abocinada
Lado del gas	D.E. 3/8 inch (9.5mm)	24-1/8–29-1/2ft • lbf (32.7-39.9N • m)
	D.E. 1/2 inch (12.7mm)	36-1/2–44-1/2ft • lbf (49.5-60.3N • m)
Lado del líquido	D.E. 1/4 inch (6.4mm)	10-1/2–12-3/4ft • lbf (14.2-17.2N • m)

2-1. Precauciones al manipular tuberías

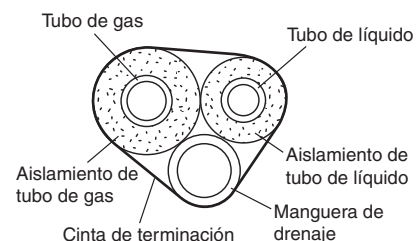
- Proteja el extremo abierto de la tubería contra el polvo y la humedad.
- Todas las curvaturas de tubo deben realizarse lo más delicadamente posible. Utilice un doblador de tubo para doblarlas.



2-2. Selección de materiales termoaislantes y cobre

Al usar tubos de cobre y accesorios comerciales, respete lo siguiente:

- Material aislante: Espuma de polietileno
Tasa de transferencia de calor: 0.041 a 0.052W/mK (0.024 a 0.030Btu/ft²°F (0.035 a 0.045kcal/mh²°C))
Asegúrese de utilizar aislante diseñado para su uso con sistemas HVAC.
- Solamente ACR (servicios de campo de aire acondicionado y refrigeración) de cobre.



- Asegúrese de aislar el tubo de gas y el tubo de líquido y respete las dimensiones de aislamiento tal y como se indica a continuación.

	Tamaño de la tubería	Radio de curvatura mínimo	Espesor de tubería	Tamaño de aislamiento térmico	Espesor de aislamiento térmico
Lado del gas	D.E. 3/8 inch (9.5mm)	1-3/16 inch (30mm) o más	0.031 inch (0.8mm) (C1220T-O)	D.I. 15/32-19/32 inch (12-15mm)	13/32 inch (10mm) mín.
	D.E. 1/2 inch (12.7mm)	1-9/16 inch (40mm) o más		D.I. 9/16-5/8 inch (14-16mm)	
Lado del líquido	D.E. 1/4 inch (6.4mm)	1-3/16 inch (30mm) o más		D.I. 5/16-13/32 inch (8-10mm)	

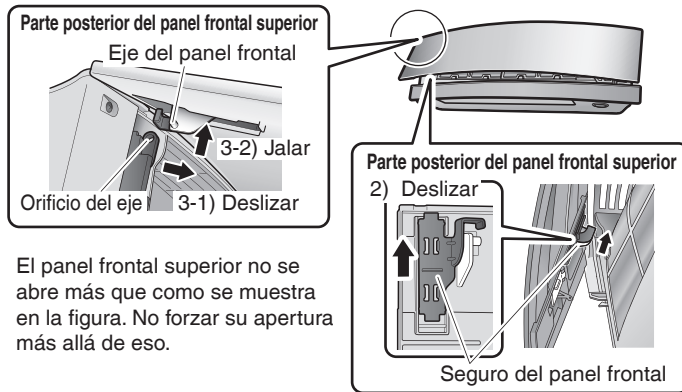
- Use tubos termoaislantes independientes para las tuberías de gas y refrigerante líquido.

Consejos de instalación

1. Extracción e instalación del panel frontal superior

• Método de extracción

- 1) Abra el panel frontal superior.
- 2) Deslice los seguros del panel frontal en la parte posterior del panel frontal hacia arriba para liberar los seguros (lados izquierdo y derecho).
- 3) Retire los ejes del panel en ambos lados de los orificios del eje y desmonte el panel frontal superior.



El panel frontal superior no se abre más que como se muestra en la figura. No forzar su apertura más allá de eso.

⚠ PRECAUCIÓN

No intente presionar el panel frontal cerrado con los paneles frontales superior e inferior superpuestos. Las piezas internas se pueden romper. (Consulte la Fig. 5) Si tiene que cerrar el panel frontal con la mano por alguna razón (cuando el control remoto no funciona por falta de suministro de alimentación, etc.), siga las instrucciones proporcionadas con la unidad interior.

Fig. 1

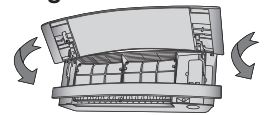


Fig. 2

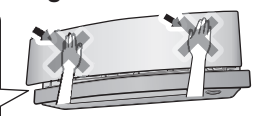


Fig. 5



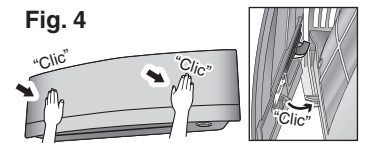
• Método de instalación

- 1) Deslice los seguros del panel frontal en la parte posterior del panel frontal hacia arriba para liberar los seguros (lados izquierdo y derecho).
- 2) Introduzca los ejes del panel a ambos lados del panel frontal superior en los orificios del eje.
- 3) Deslice los seguros del panel frontal en cada lado hacia abajo para bloquearlos.
- 4) Cierre lentamente el panel frontal superior. (Consulte la Fig. 1)
- 5) No empuje el panel para cerrarlo. (Consulte la Fig. 2)
- 6) Encienda la unidad usando el control remoto. Espere hasta que los paneles frontales superior e inferior estén completamente abiertos. Enseguida, apague la unidad usando el control remoto nuevamente. (Consulte la Fig. 3)
- 7) Una vez que ambos paneles se cierran completamente, empuje suavemente el panel frontal superior para engancharlo en su posición. (Consulte la Fig. 4)

Fig. 3



Fig. 4



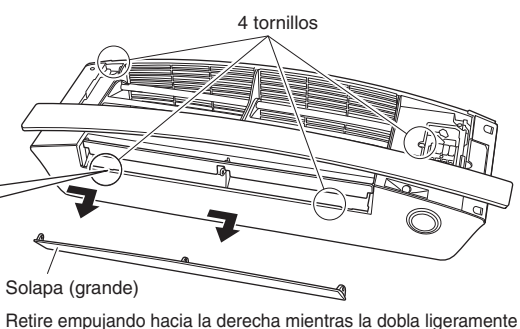
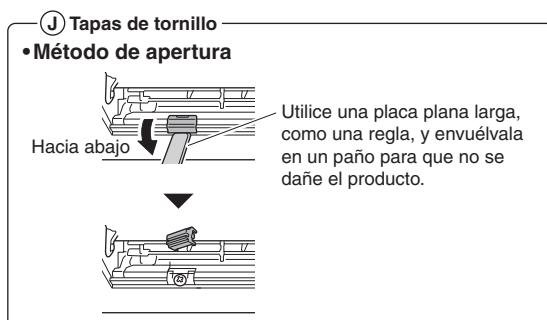
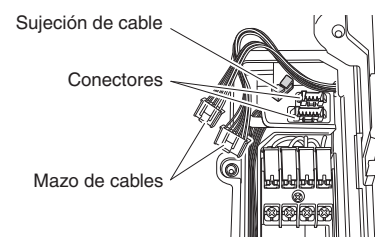
2. Extracción e instalación de la rejilla delantera

⚠ PRECAUCIÓN

Asegúrese de usar guantes de protección.

• Método de extracción

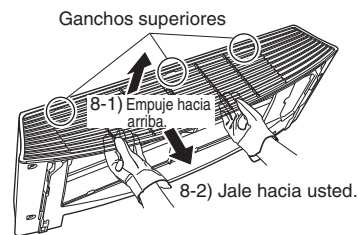
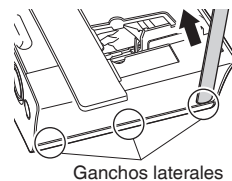
- 1) Retire el panel frontal superior y los filtros de aire.
- 2) Retire la tapa de servicio. (Consulte el método de apertura en la página 4).
- 3) Desconecte los mazos de cables de la sujeción de cables y retire el mazo de cables de los conectores.
- 4) Empuje hacia arriba el panel frontal inferior hasta que se detenga.
- 5) Desmonte la solapa (grande).
- 6) Abra las 2 tapas de tornillo y quite los 4 tornillos de la rejilla delantera. (Las tapas de tornillo no se montan en la fábrica).



- 7) Use guantes de protección e inserte ambas manos debajo de la rejilla delantera como se muestra en la figura.
- 8) Retire la rejilla delantera de los 3 ganchos superiores empujando hacia arriba el lado superior de la rejilla delantera, tire de la rejilla delantera hacia usted sujetando ambos extremos de la rejilla delantera y desmonte la rejilla delantera.

- Si es difícil quitar la rejilla, inserte una placa plana larga* a través del espacio de la tapa lateral como se muestra en la figura y gire la placa hacia el interior para remover los ganchos (3 ganchos en los lados derecho e izquierdo), de manera que pueda quitar la rejilla fácilmente.

* Como una regla envuelta en un paño



• Método de instalación

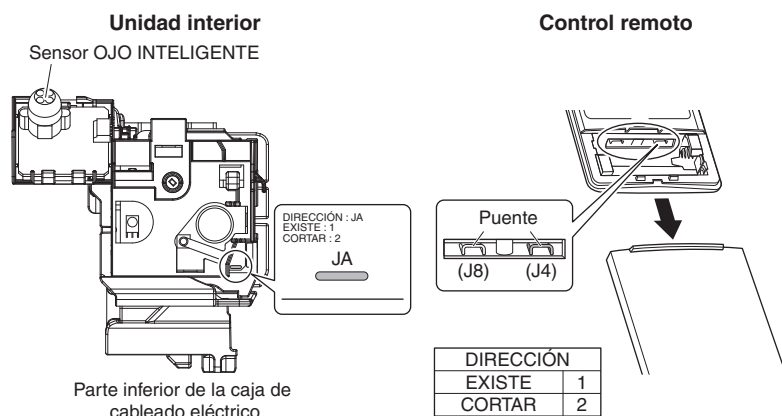
- 1) Instale la rejilla delantera y enganche firmemente los ganchos superiores (3 ubicaciones) y los ganchos del lado derecho e izquierdo (en 3 ubicaciones).
- 2) Instale 4 tornillos en la rejilla delantera y cierre las 2 tapas de tornillo.
- 3) Monte la solapa (grande).
- 4) Baje el panel frontal inferior a la posición original.
- 5) Conecte el mazo de cables a los 2 conectores y asegúrelos con la sujeción de cables.
- 6) Instale los filtros de aire y enseguida monte el panel frontal superior.

3. Cómo ajustar distintas direcciones

Cuando instale 2 unidades interiores en una habitación, los 2 controles remotos inalámbricos pueden ajustarse a distintas direcciones. Modifique el ajuste de la dirección de una de las dos unidades. Al cortar el jumper (puente), preste atención para no dañar las partes circundantes.

- 1) Retire el panel frontal superior y la rejilla delantera. (Consulte el método de extracción en la página 11).
- 2) Corte el puente de dirección (JA) en la placa de circuitos impresa.
- 3) Corte el puente de dirección (J4) en el control remoto.

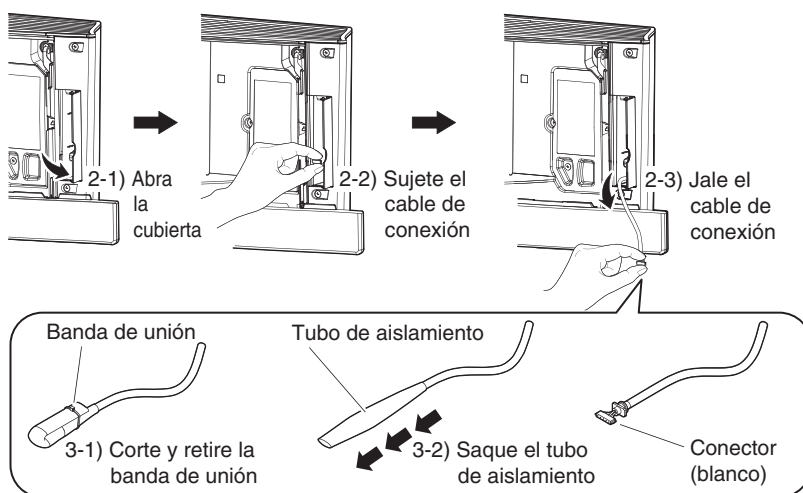
- Tenga cuidado de no cortar el puente (J8).



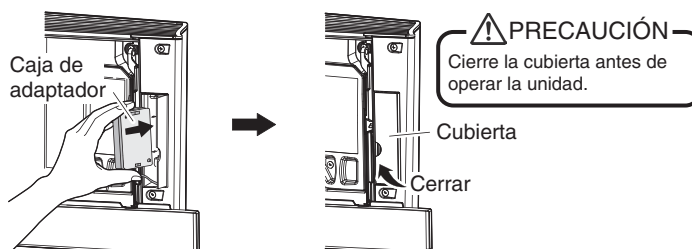
4. Al conectar un adaptador de conexión LAN inalámbrica

• Método de conexión

- 1) Retire el panel frontal superior. (Consulte el método de extracción en la página 11).
- 2) Abra la cubierta, sujete el cable de conexión con los dedos y jálelo para extraerlo.
- 3) Retire la banda de unión y jale el tubo de aislamiento para extraerlo del cable de conexión.



- 4) Conecte el adaptador de conexión LAN inalámbrica. (Para más detalles sobre los procedimientos de conexión, consulte el manual de instalación para adaptador de conexión LAN inalámbrica).
- 5) Coloque la caja del adaptador en la unidad interior y cierre la cubierta.
- 6) Instale el panel frontal superior. (Consulte el método de instalación en la página 11).



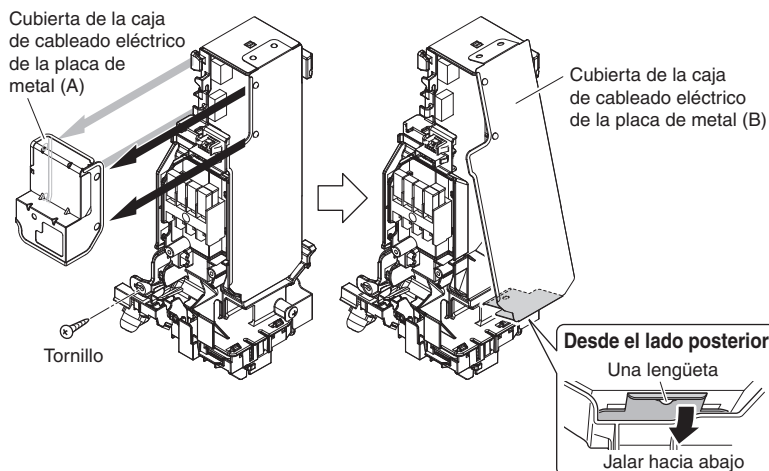
Consejos de instalación

5. Al conectarse a un sistema HA

(control remoto de cable, control remoto central, etc.)

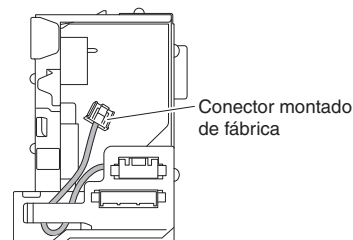
• Método de extracción para las cubiertas de la caja de cableado eléctrico de la placa de metal

- 1) Retire el panel frontal superior y la rejilla delantera. (Consulte el método de extracción en la página 11).
- 2) Retire la caja de cableado eléctrico. (1 tornillo)
- 3) Retire las 4 lengüetas y desmonte la cubierta de la caja de cableado eléctrico de la placa de metal (A).
- 4) Tire hacia abajo del gancho de la cubierta de la caja de cableado eléctrico de la placa de metal (B) y retire una sola lengüeta.
- 5) Retire las 2 lengüetas de la parte superior y desmonte la cubierta de la caja de cableado eléctrico de la placa de metal (B).

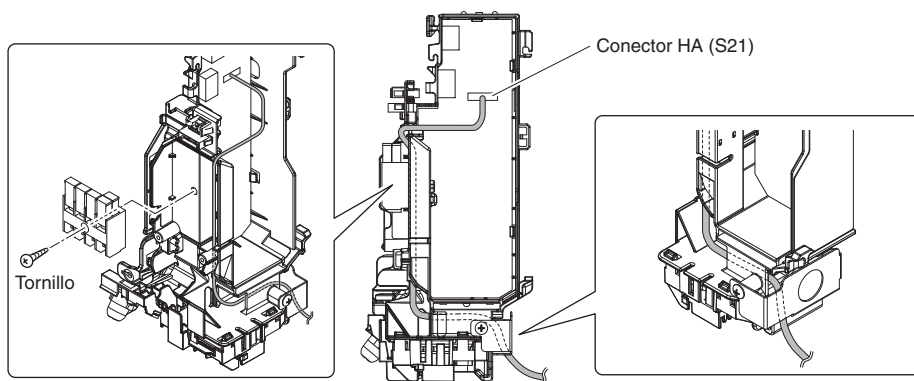


• Métodos de fijación del cable de conexión

- 1) Retire el conector montado de fábrica del S21.
- 2) Ate los mazos agrupándolos como se muestra en la figura, de manera que el conector extraído no interfiera con la placa de circuitos impresa.

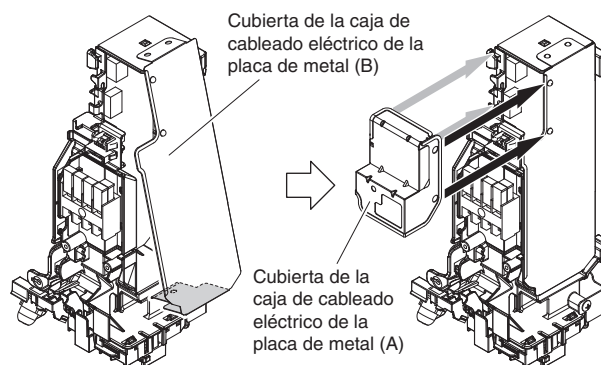


- 3) Conecte el cable de conexión al conector S21 y extraiga el mazo a través de la parte con muesca.



• Métodos de fijación de las cubiertas de la caja de cableado eléctrico de la placa de metal

- 1) Enganche la parte superior de la cubierta de la caja de cableado eléctrico de la placa de metal (B) en las 2 lengüetas.
- 2) Presione el gancho de la parte inferior para sujetar una lengüeta y monte la cubierta de la caja de cableado eléctrico de la placa de metal (B).
- 3) Inserte el conector en el orificio y enganche y monte la cubierta de la caja de cableado eléctrico de la placa de metal (A) en las 4 lengüetas.
- 4) Instale la caja de cableado eléctrico. (1 tornillo)
- 5) Instale el panel frontal superior y la rejilla delantera. (Consulte el método de instalación en la página 11).



Operación de ensayo y prueba

1. Operación de ensayo y prueba

- La operación de ensayo debe realizarse en la operación FRÍO o CALOR.

1-1. Mida la tensión de suministro y asegúrese de que se encuentre dentro del rango especificado.






1-2. En la operación FRÍO, seleccione la temperatura más baja programable; en la operación CALOR, seleccione la temperatura más alta programable.

1-3. Realice la operación de ensayo siguiendo las instrucciones del manual de operación para asegurarse de que todas las funciones y las piezas, como por ejemplo el movimiento de las aletas, operan correctamente.

- Para proteger el aire acondicionado, la operación de reinicio se desactiva durante 3 minutos después de apagar el sistema.

1-4. Después de finalizar la operación de ensayo, ajuste la temperatura a un nivel normal (78 °F a 82 °F (26 °C a 28 °C) en la operación FRÍO, 68 °F a 75 °F (20 °C a 24 °C) en la operación CALOR).

- Cuando accione el aire acondicionado en la operación FRÍO durante el invierno, o en la operación CALOR durante el verano, ajústelo en el modo de operación de ensayo usando el siguiente método.


- 1) Pulse  para activar el sistema.
- 2) Pulse  y  al mismo tiempo.
- 3) Pulse , seleccione “?” y pulse  para confirmar.

- La operación de ensayo se detendrá automáticamente transcurridos 30 minutos.

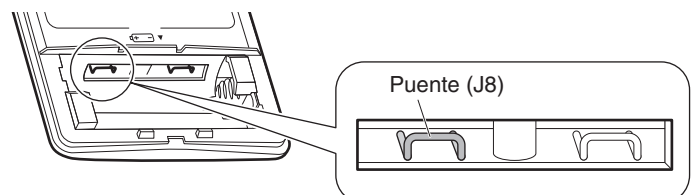
Para detener la operación, pulse .

- Algunas de las funciones no pueden utilizarse en el modo de operación de ensayo.
- El aire acondicionado consume una pequeña cantidad de energía en el modo de estado de espera. Si el sistema no va a ser utilizado durante un cierto período de tiempo después de su instalación, desactive el disyuntor para eliminar el consumo de energía innecesario.
- Si el disyuntor salta para desactivar la alimentación del aire acondicionado, el sistema se restaurará en el modo de operación original cuando vuelva a abrir el disyuntor.

2. Elementos de prueba

Elementos de prueba	Síntoma	Comprobar
Las unidades interior y exterior se instalan correctamente.	Caídas, vibraciones, ruido	
Sin fugas de gas refrigerante.	Función de refrigeración/ calefacción incompleta	
El gas refrigerante, los tubos de líquido y la extensión de la manguera de drenaje están aislados térmicamente.	Fugas de agua	
La línea de drenaje está correctamente instalada.	Fugas de agua	
El sistema está correctamente conectado a tierra.	Fuga eléctrica	
Solamente se usan los cables especificados para todo el cableado y todos los cables están conectados correctamente.	Sin daños de operación o quemadura	
La entrada de aire o la salida del aire de la unidad interior o exterior no están obstruidas.	Función de refrigeración/ calefacción incompleta	
Las válvulas de retención están abiertas.	Función de refrigeración/ calefacción incompleta	
La unidad interior recibe correctamente los comandos del control remoto.	Sin operación	
 se visualizará cuando se presiona el botón MODO.*	Sin calefacción	
Los tubos y los cables están conectados a los bloques de terminales/ puertos de conexión correspondientes de la unidad conectada.	Sin refrigeración/calefacción	

* Compruebe que el puente (J8) no está cortado. Si está cortado, contacte a la tienda de servicio.



DAIKIN NORTH AMERICA LLC

19001 Kermier Road
Houston, TX 77484
<https://www.northamerica-daikin.com/>



Intertek

The two-dimensional bar code
is a manufacturing code.

3P436087-1C

M15B217C (2004) 