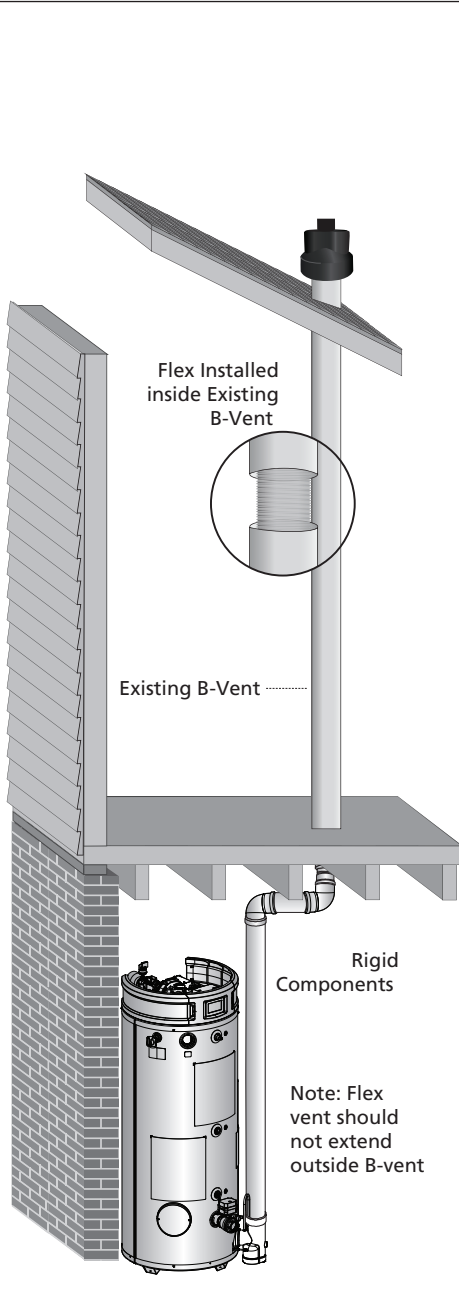
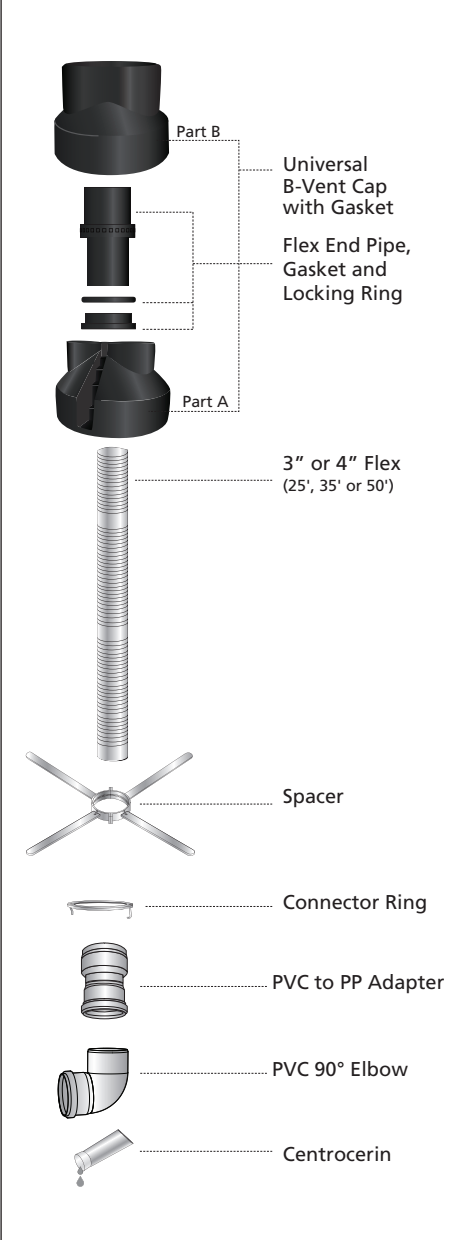
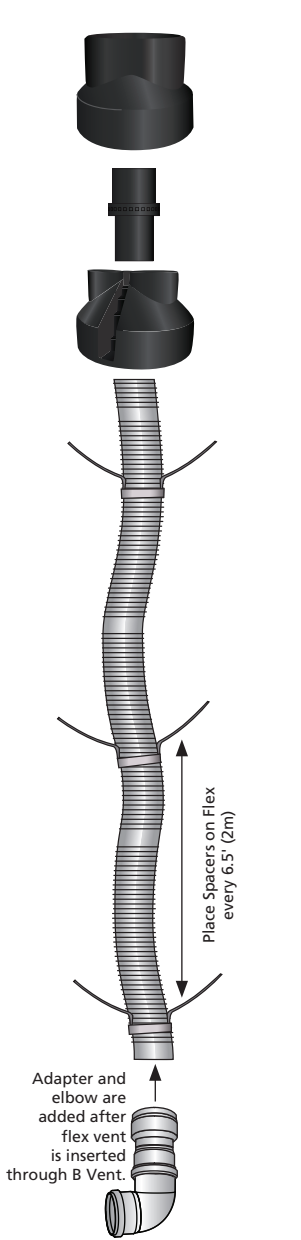

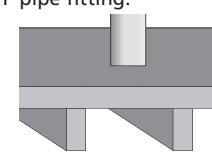
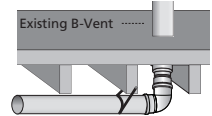
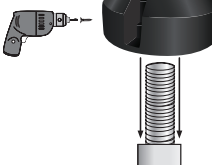
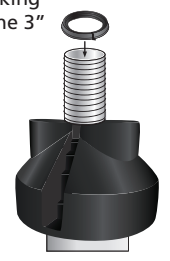
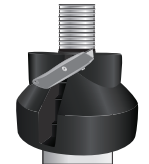
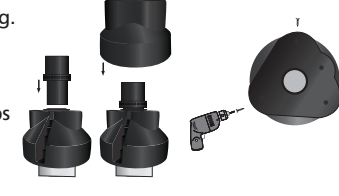


FLEX VENT MATERIAL IS ONLY FOR VERTICAL INSTALLATIONS

AP19355 / AP19356

# Installation Instructions for the 3" B-Vent Kit

## FLEXIBLE VENT

Contents of the Kit	Installation Instructions		
	<div style="display: flex; flex-direction: column;"> <div style="display: flex; justify-content: space-between;"> <div data-bbox="506 269 804 1503">  <p style="text-align: center;">Place Spacers on Flex every 6.5' (2m)</p> <p style="text-align: center;">Adapter and elbow are added after flex vent is inserted through B Vent.</p> </div> <div data-bbox="810 269 1591 1503"> <ol style="list-style-type: none"> <li data-bbox="810 269 1591 516"> <p><b>1</b> Cut the 3" flex (at the bottom of a male part) at the length of the B vent, plus 2 ft. Attach spacers to the flex vent, every 6.5 ft. Pull flex pipe through the B vent chase, inserting into the PVC or PP pipe fitting.</p>   </li> <li data-bbox="810 521 1591 662"> <p><b>2</b> Mount exhaust venting to go from unit to B Vent Chase (up to a maximum of fifteen (15) equivalent feet). Rigid pipe must be secured to floor joist, so that there is no stress on flex vent.</p>  </li> <li data-bbox="810 667 1213 971"> <p><b>3</b> Slide B-vent cap(part A) over 3" flex and use three 1/2 long screws provided, to fasten B-vent cap to B vent in the appropriate recessed step.</p>  </li> <li data-bbox="1220 667 1591 971"> <p><b>4</b> Slip the Locking Ring over the 3" Flex.</p>  </li> <li data-bbox="810 976 1591 1149"> <p><b>5</b> Trim 3" Flex flush with Locking Ring.</p>  </li> <li data-bbox="810 1154 1591 1360"> <p><b>6</b> Connect Flex End Pipe into Locking Ring.</p> <p>Push Universal B-Vent Cap (Part B) over End Pipe and fasten at triangle tips using 3 of the 1/2" screws provided.</p>  </li> <li data-bbox="810 1365 1591 1503"> <p><b>7</b> From Base Support, make the connection to the appliance with rigid components, following Horizontal Installation instructions.</p> </li> </ol> </div> </div> </div>		