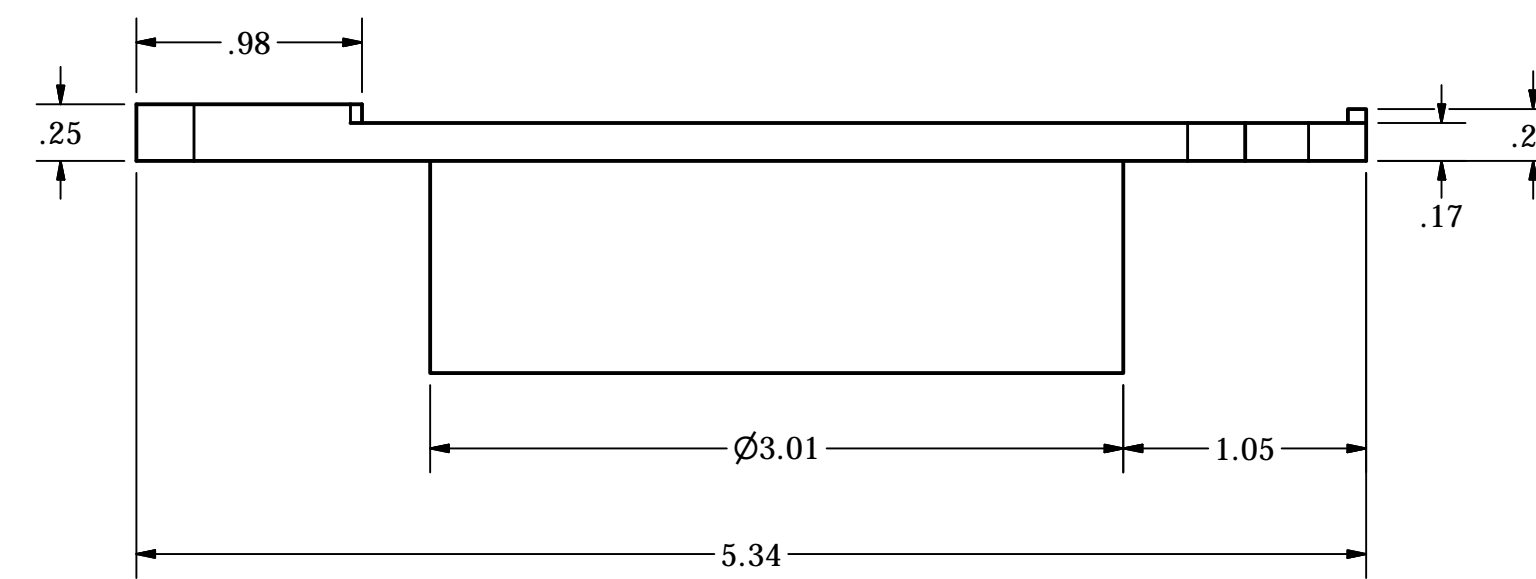
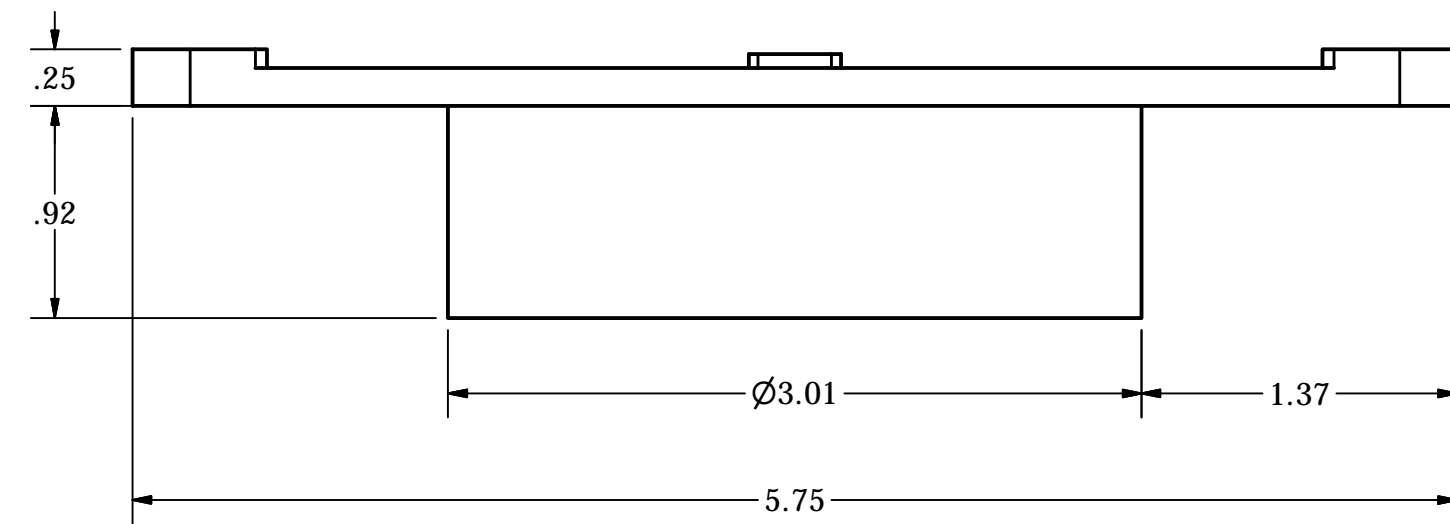
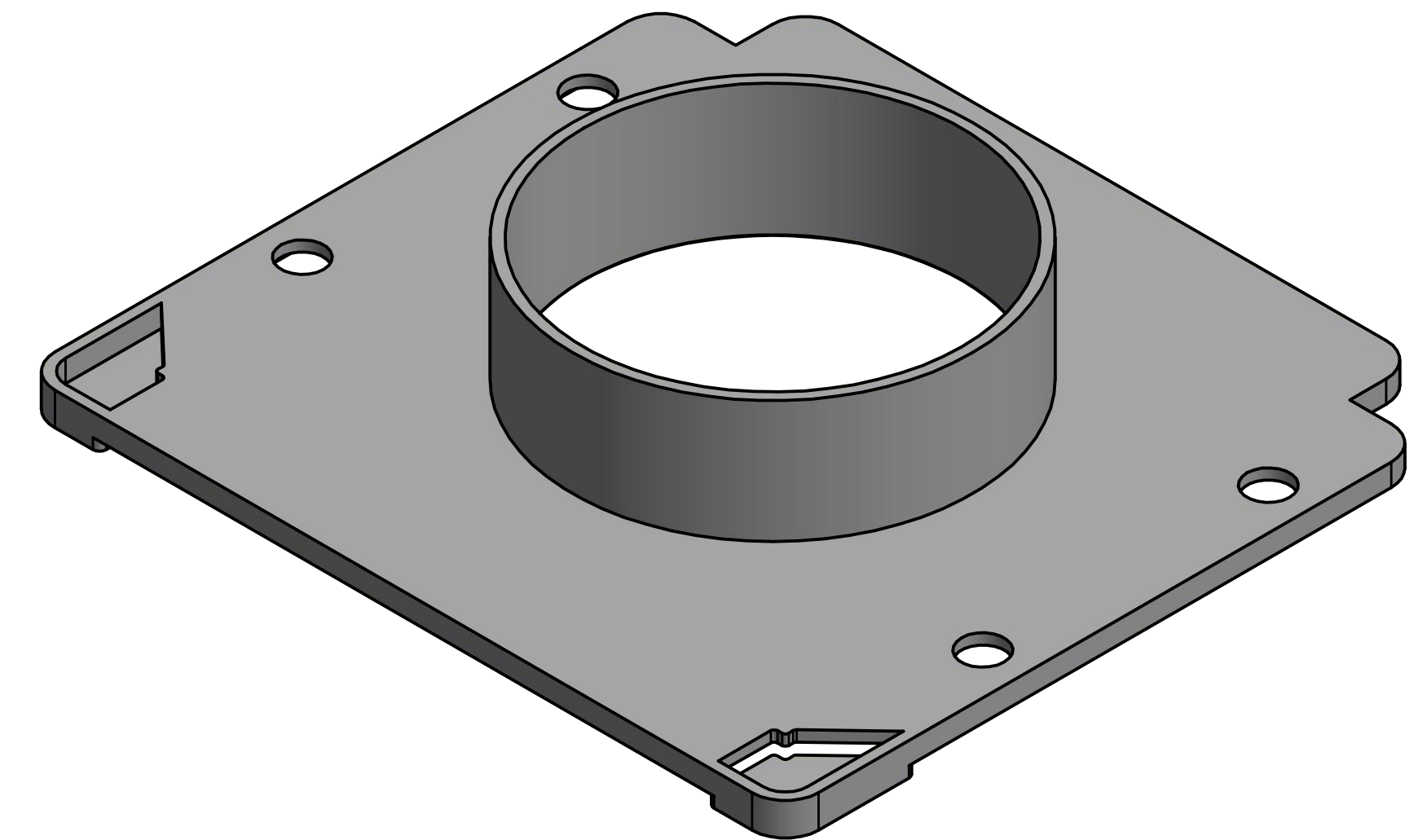
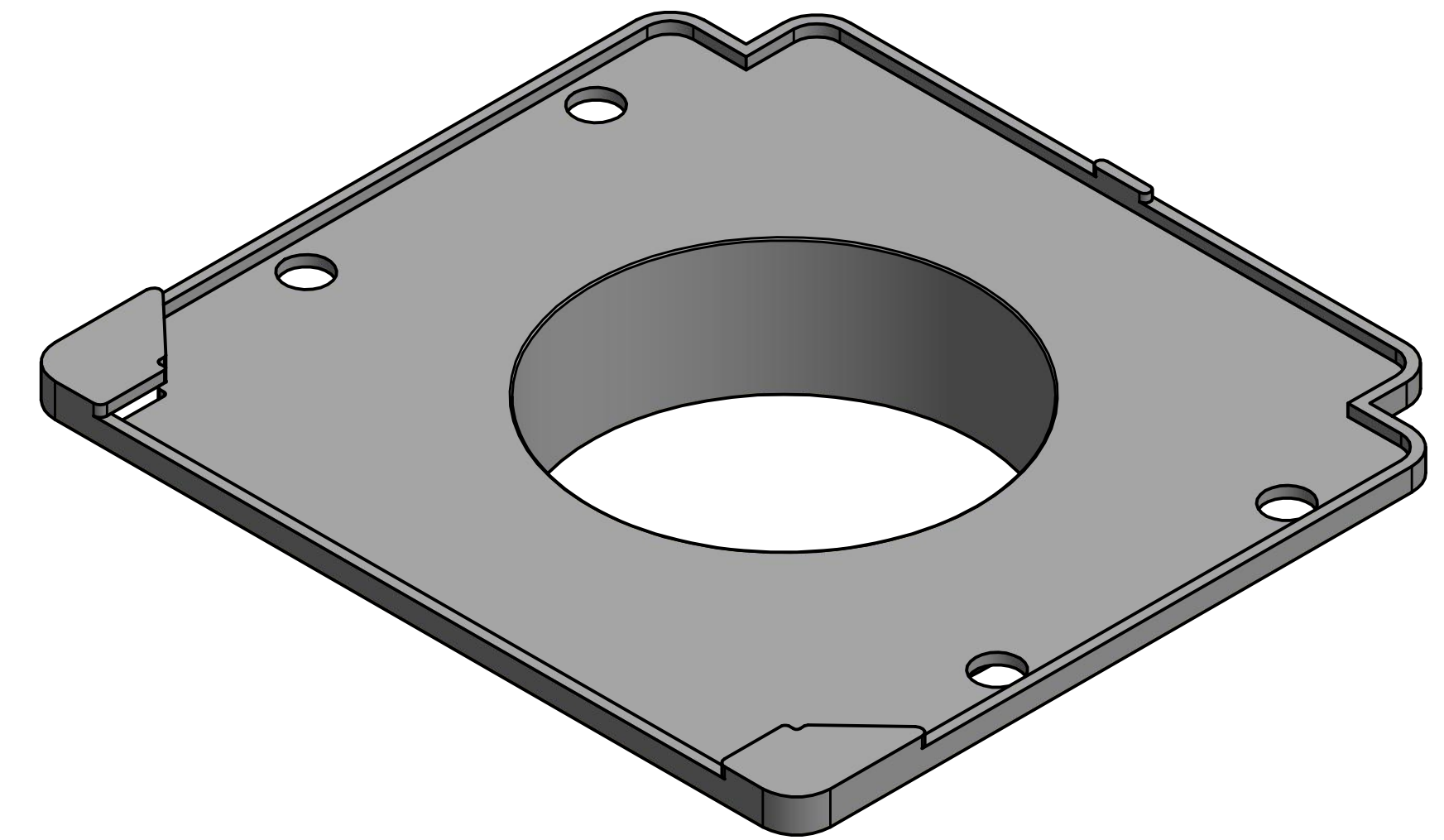
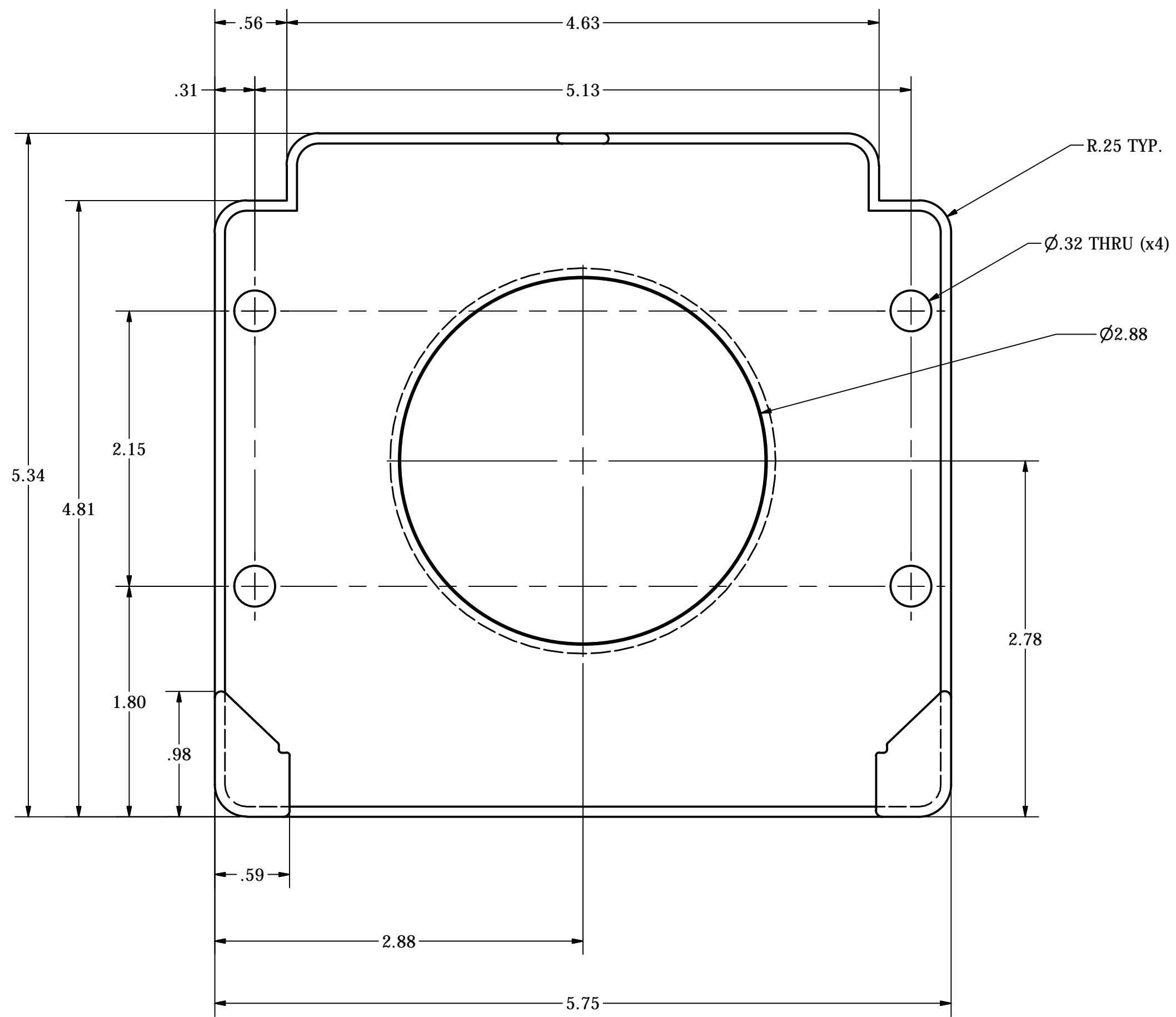
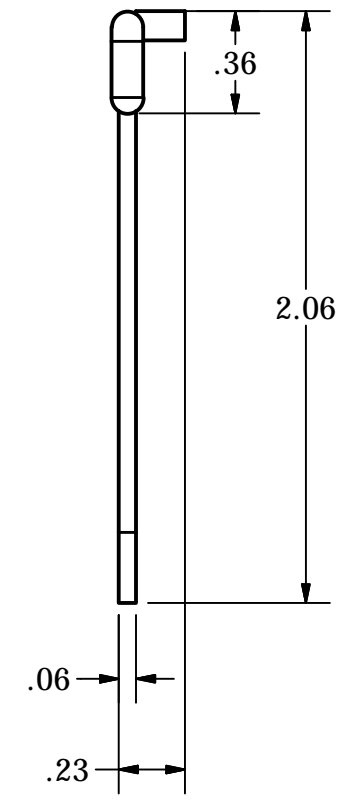
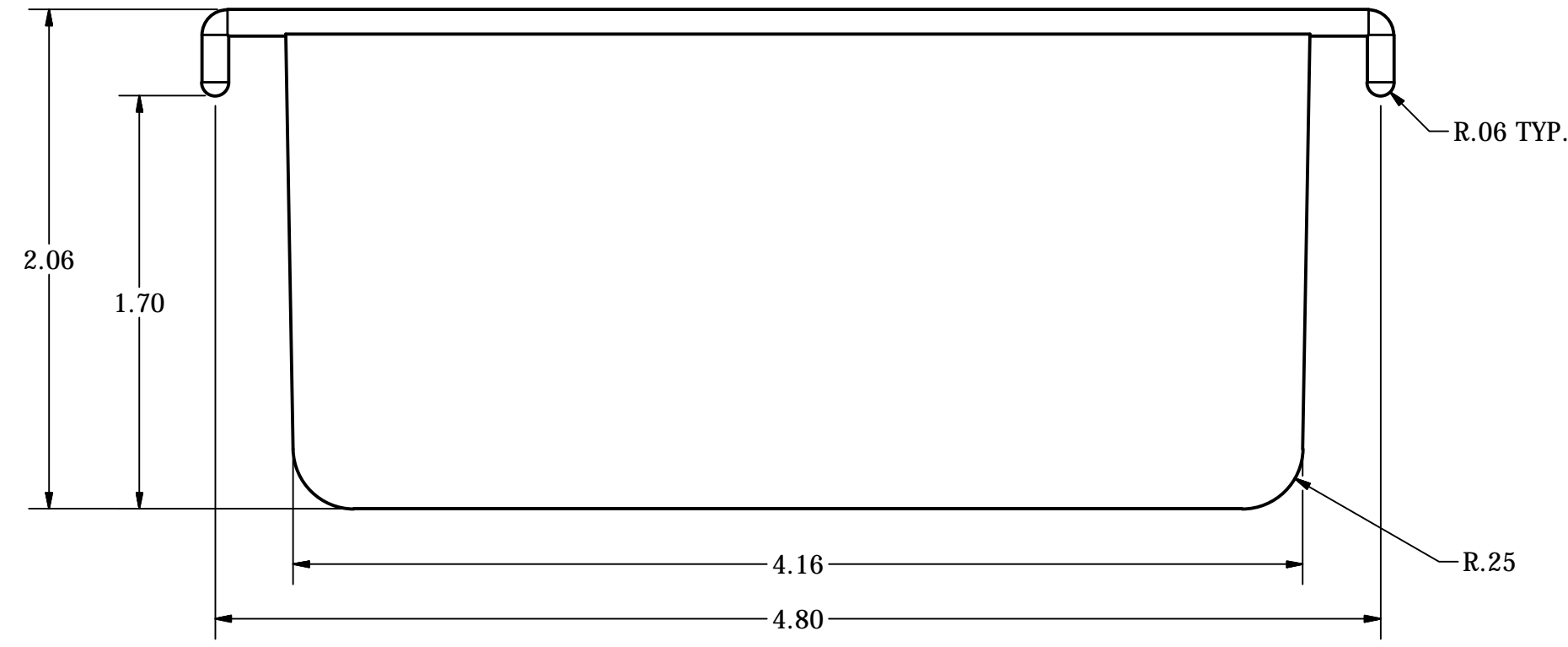
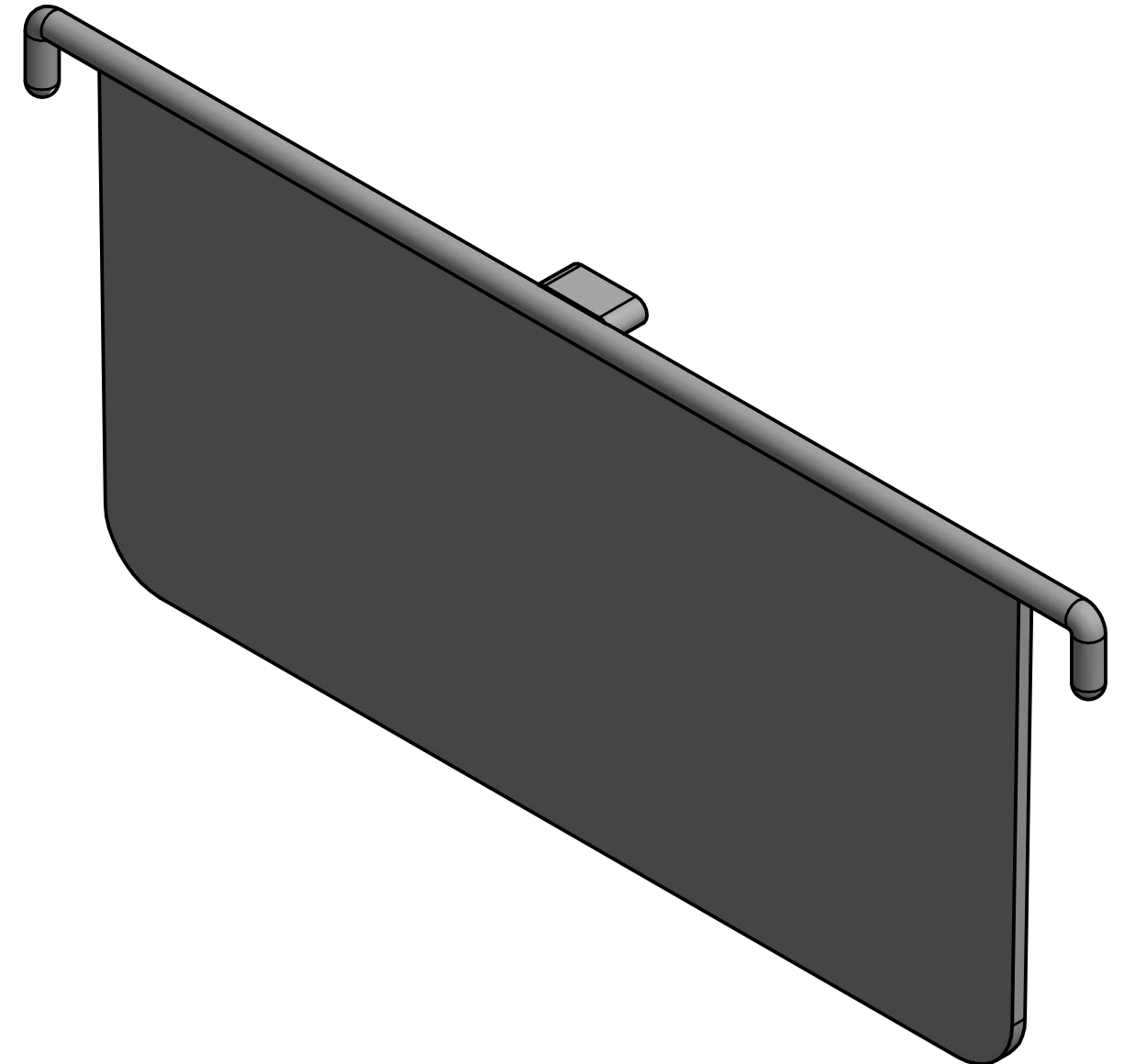
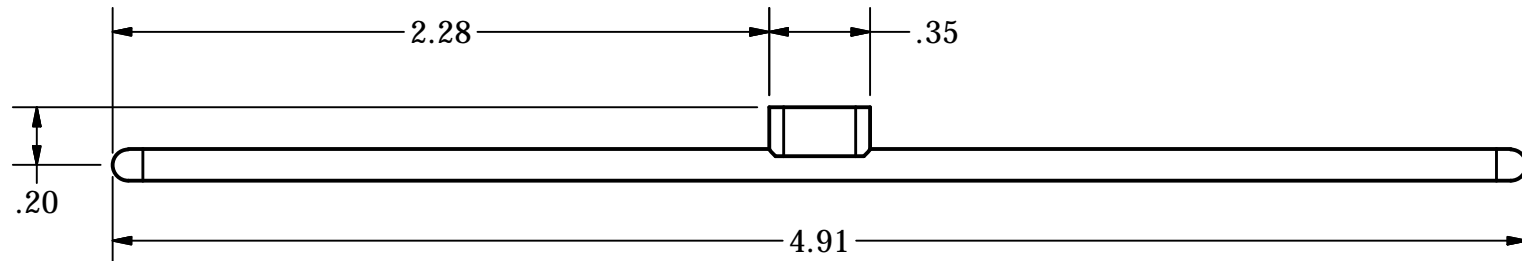


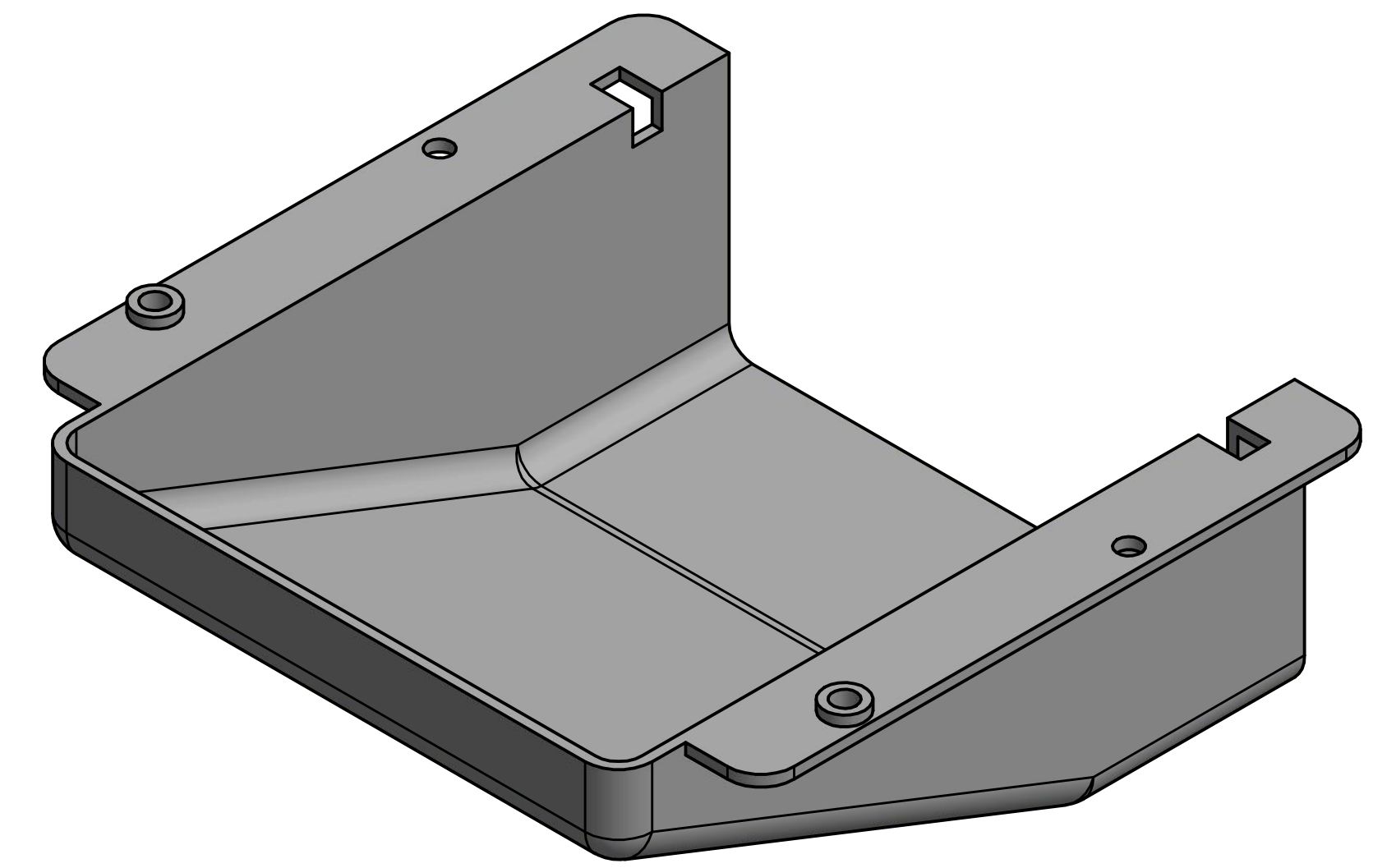
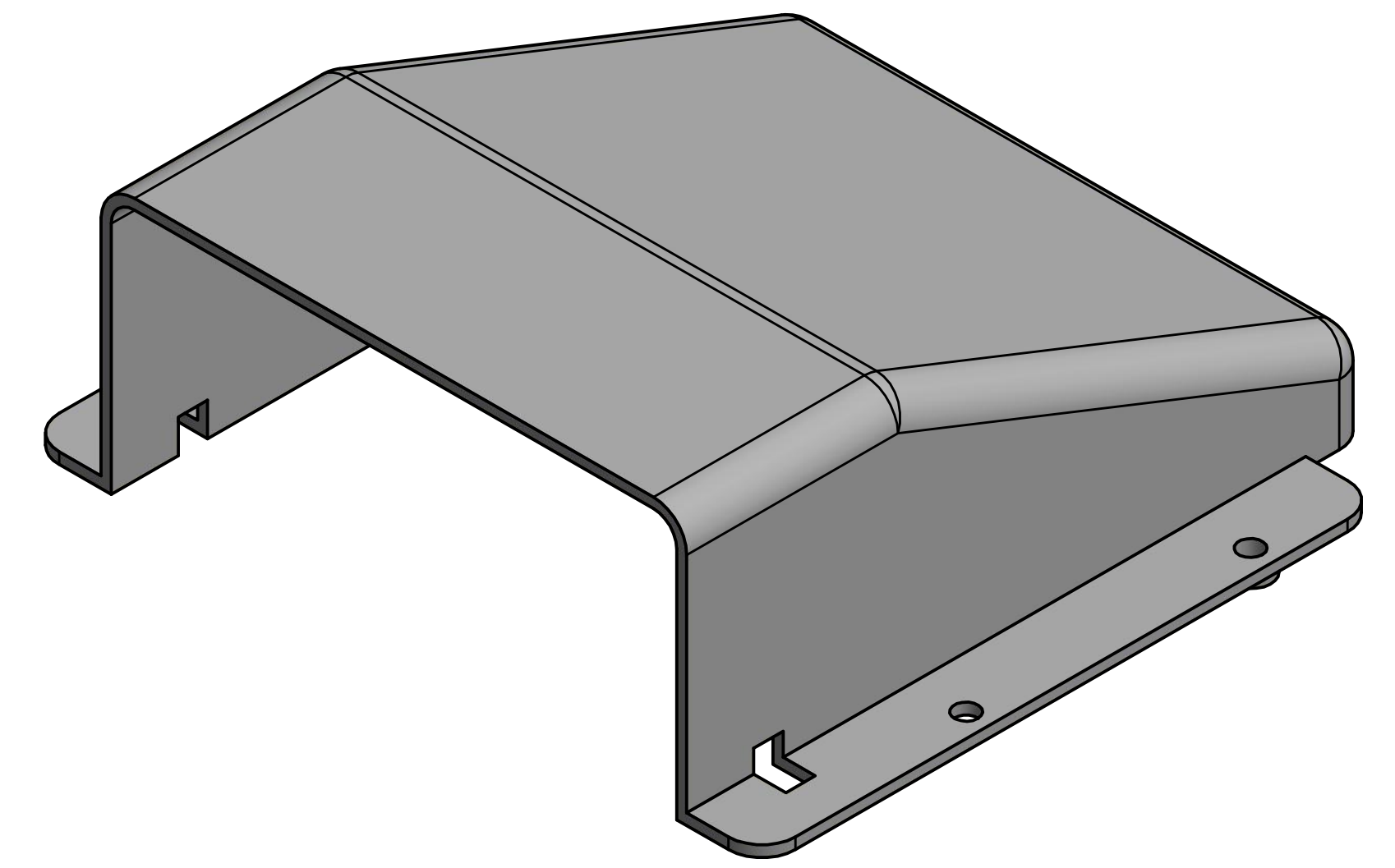
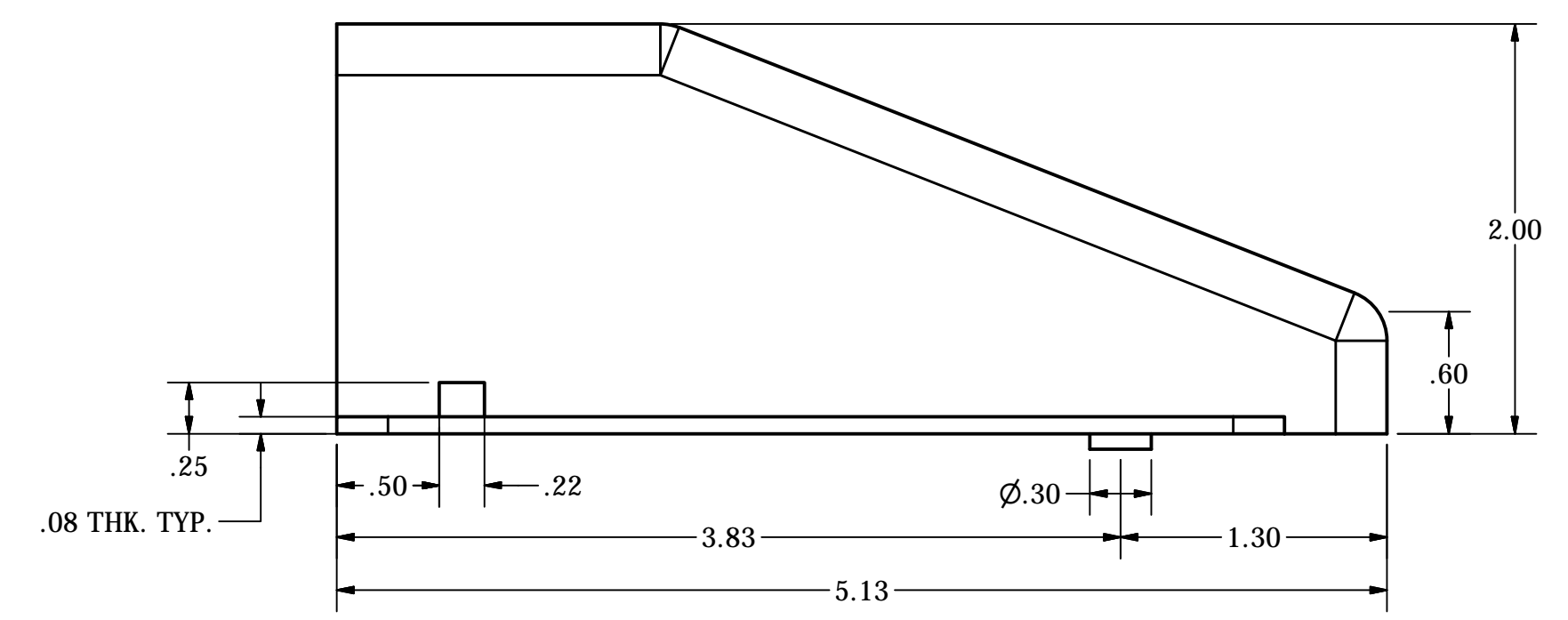
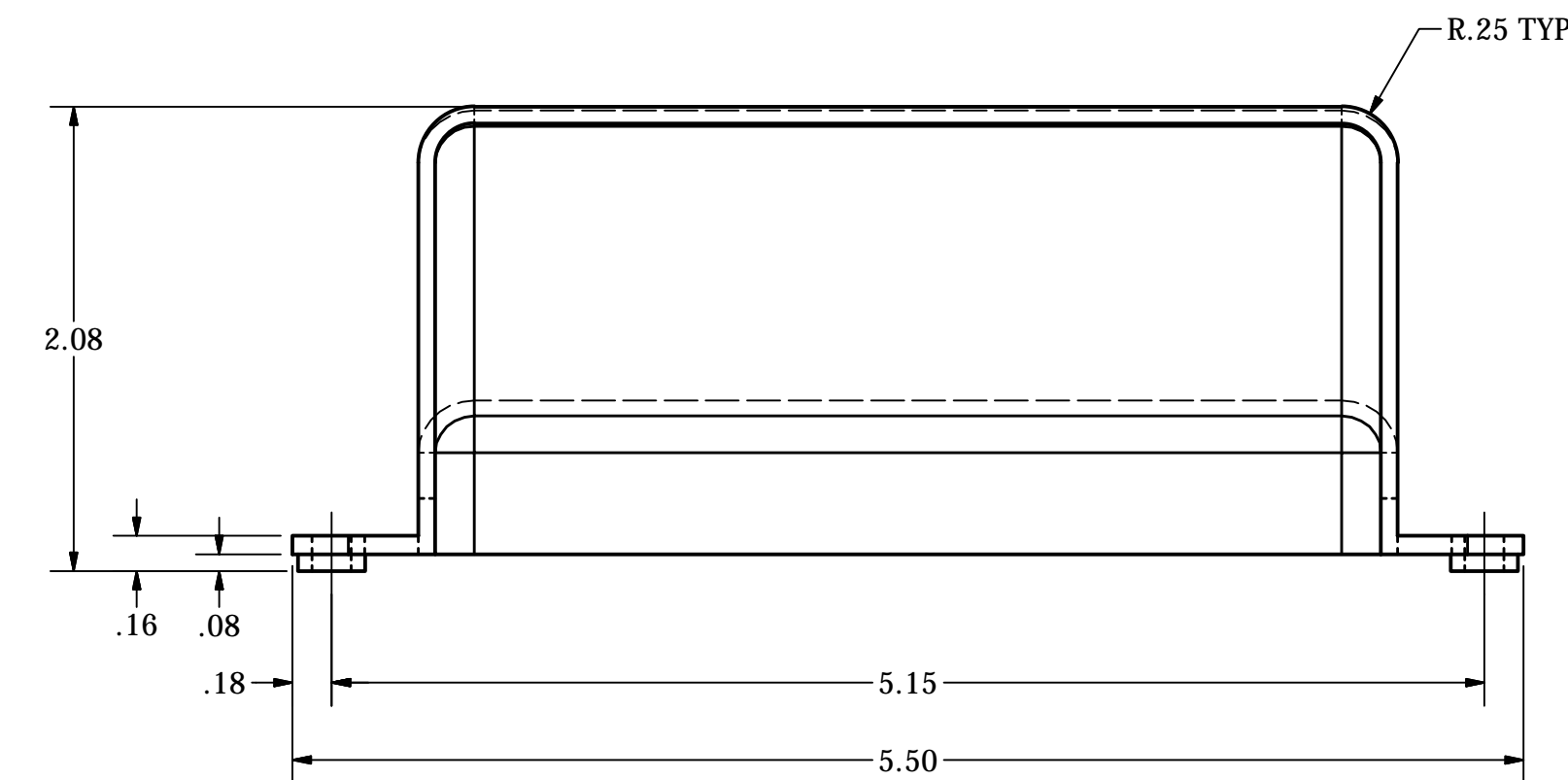
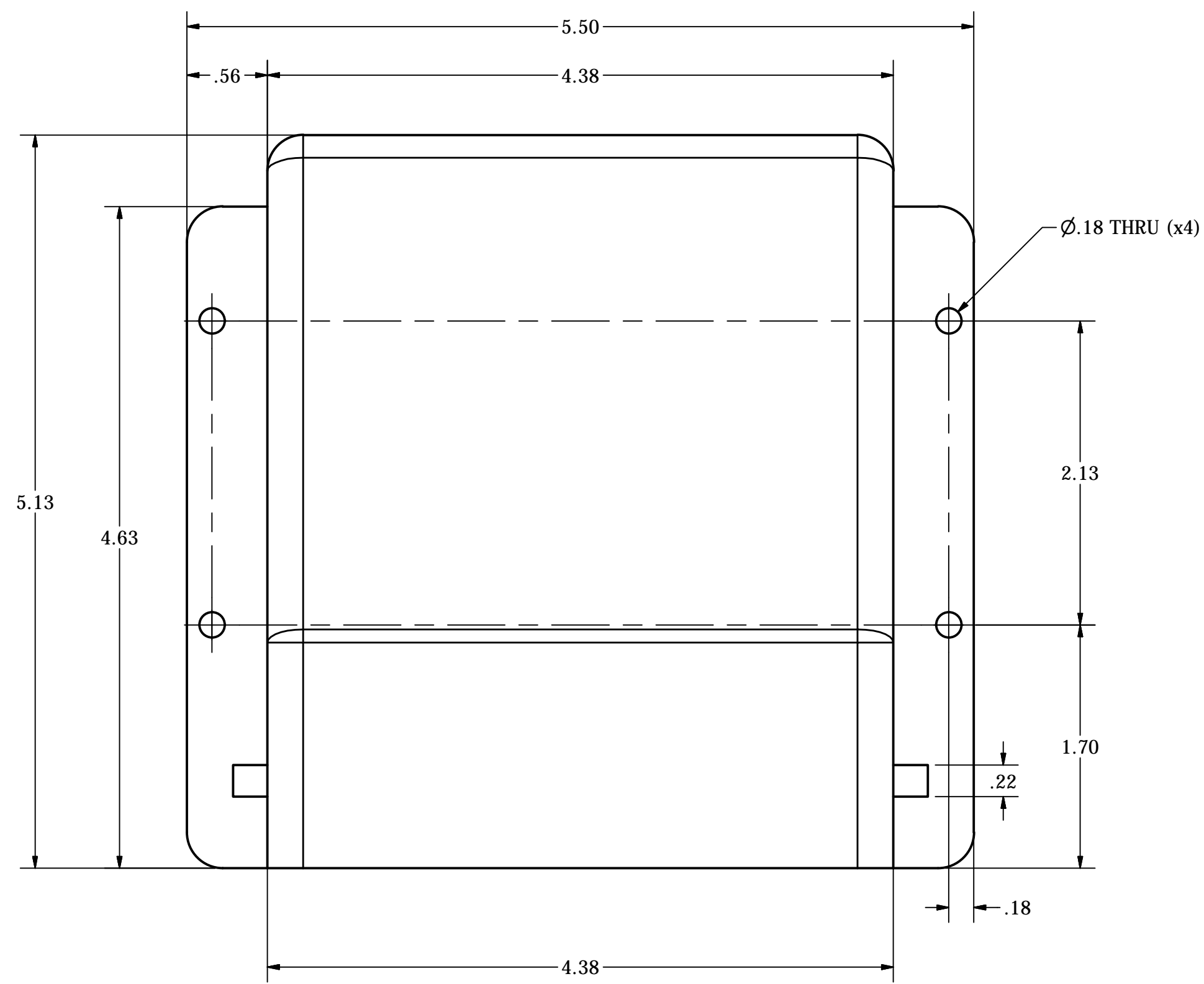
DRAWN J.Valenti	12/30/2014	LAMBRO INDUSTRIES, INC.		
CHECKED		TITLE		
QA		ASSEMBLY		
MFG		SIZE D	DWG NO SMALL WHITE VENT	REV A
APPROVED		SCALE	SHEET 1 OF 4	



DRAWN J.Valenti	12/30/2014	LAMBRO INDUSTRIES, INC.		
CHECKED		TITLE		
QA		BASE		
MFG		SIZE	DWG NO	REV
APPROVED		D	SMALL WHITE VENT	A
		SCALE	SHEET 3 OF 4	



DRAWN J.Valenti	12/30/2014	LAMBRO INDUSTRIES, INC.		
CHECKED		TITLE		
QA		EXHAUST FLAP		
MFG		SIZE C	DWG NO SMALL WHITE VENT	REV A
APPROVED		SCALE	SHEET 4 OF 4	



DRAWN	J.Valenti	12/30/2014	LAMBRO INDUSTRIES, INC.		
CHECKED			TITLE		
QA			COVER		
MFG			SIZE	DWG NO	REV
APPROVED			D	SMALL WHITE VENT	A
			SCALE	SHEET 2 OF 4	