

Barn Door Hardware Installation

Parts Included:

M8*30 (x2)

M8*60 (x1)

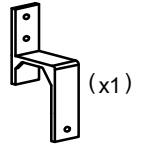
M8(X4)

M8(X1)

M8(X1)

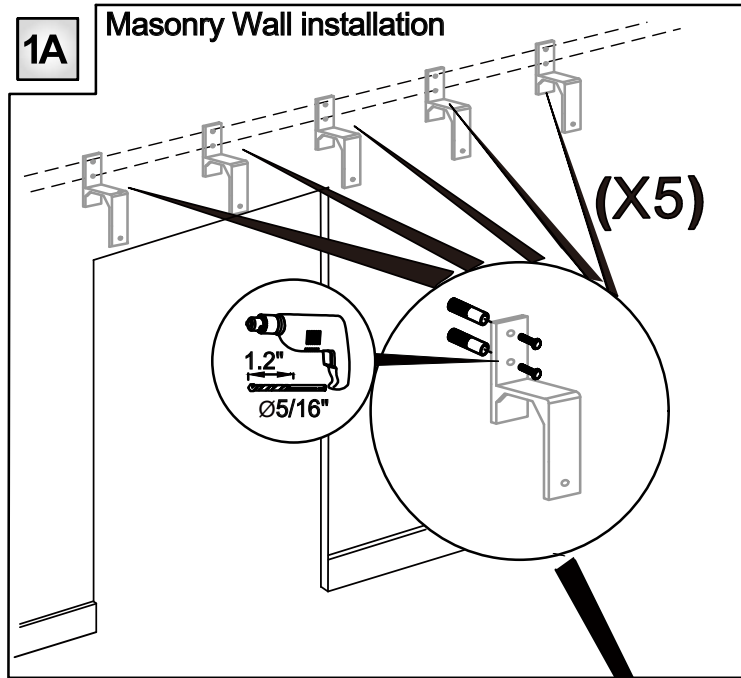
M8*25(x2)

M8*50(x2)



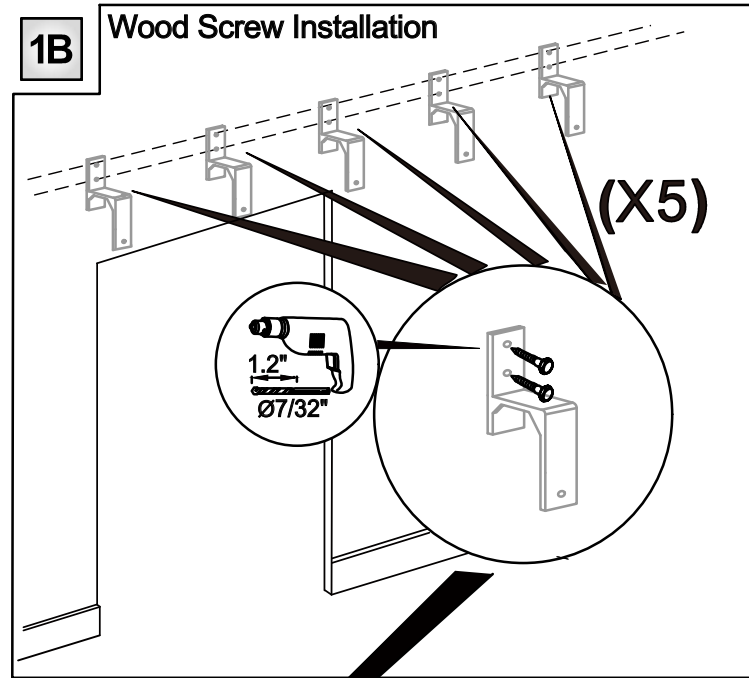
1A

Masonry Wall installation

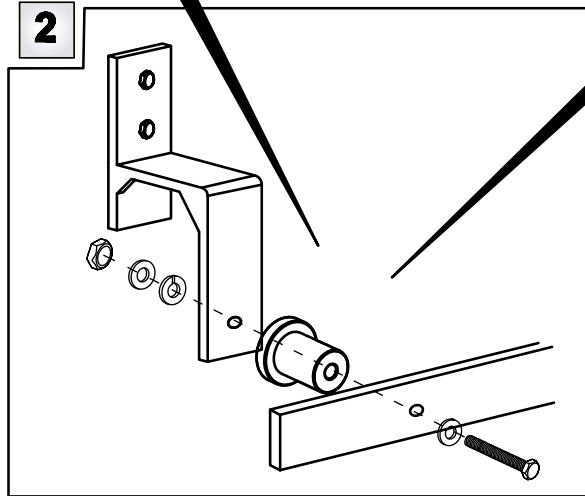


1B

Wood Screw Installation

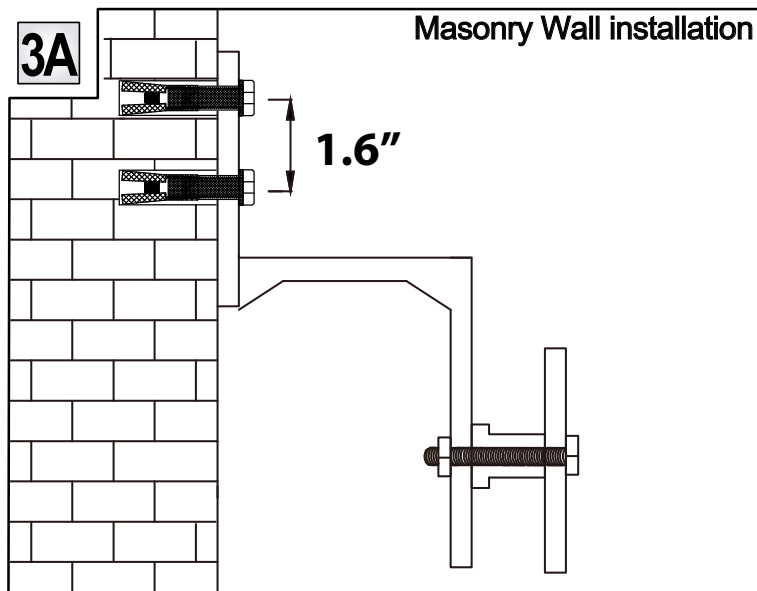


2



3A

Masonry Wall installation



3B

Wood Screw Installation

